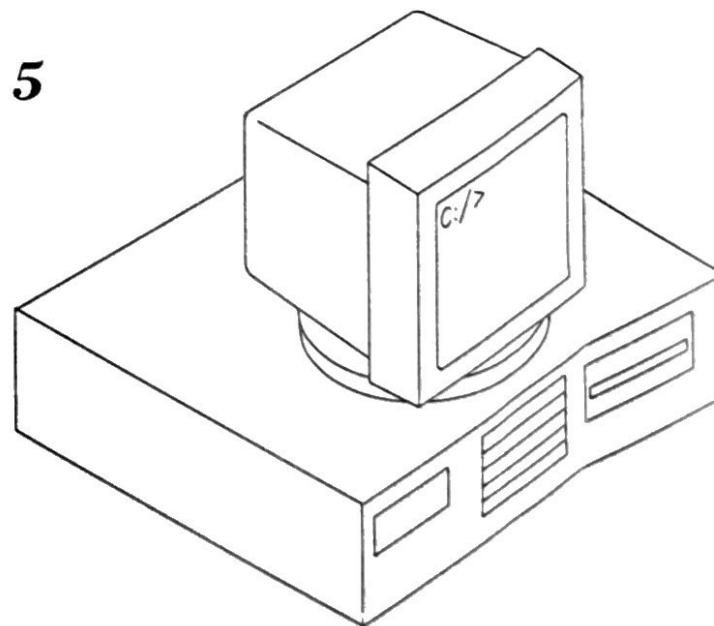
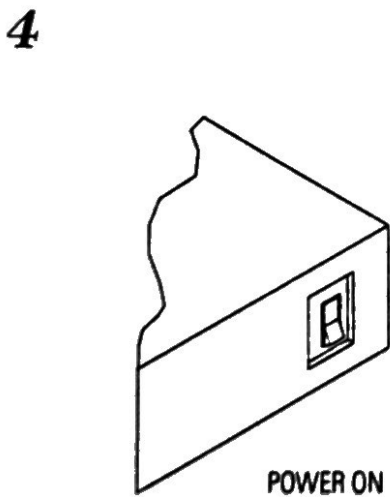
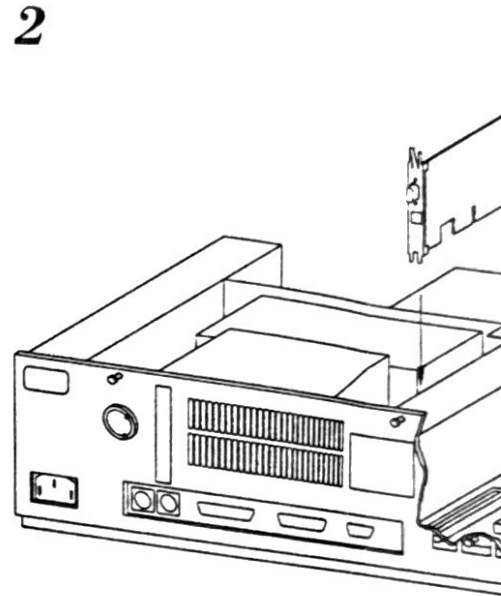
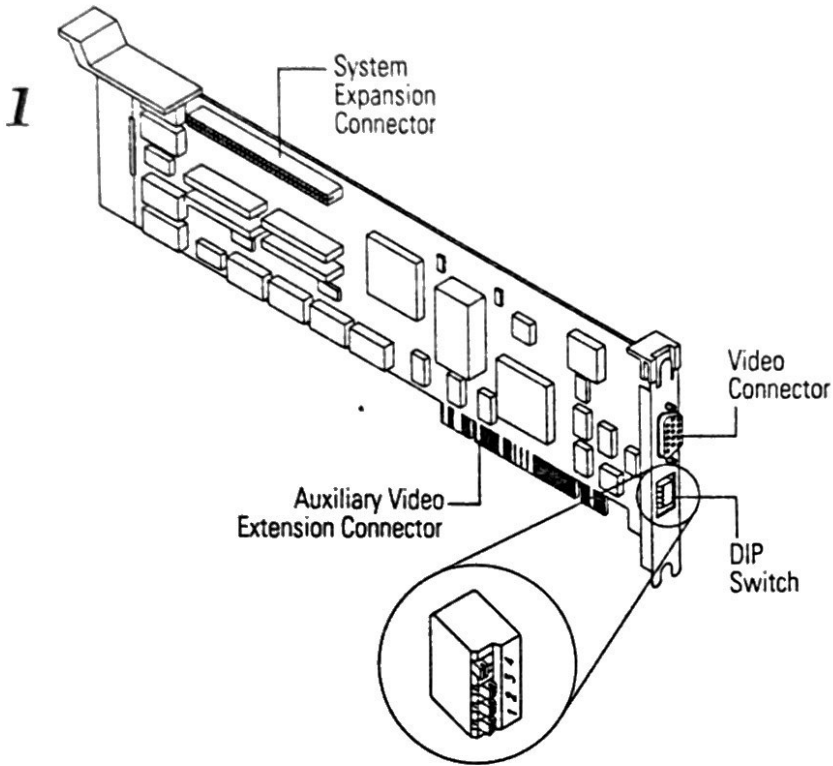
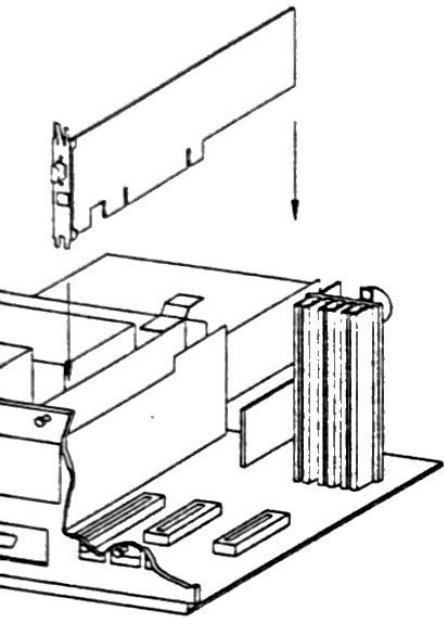
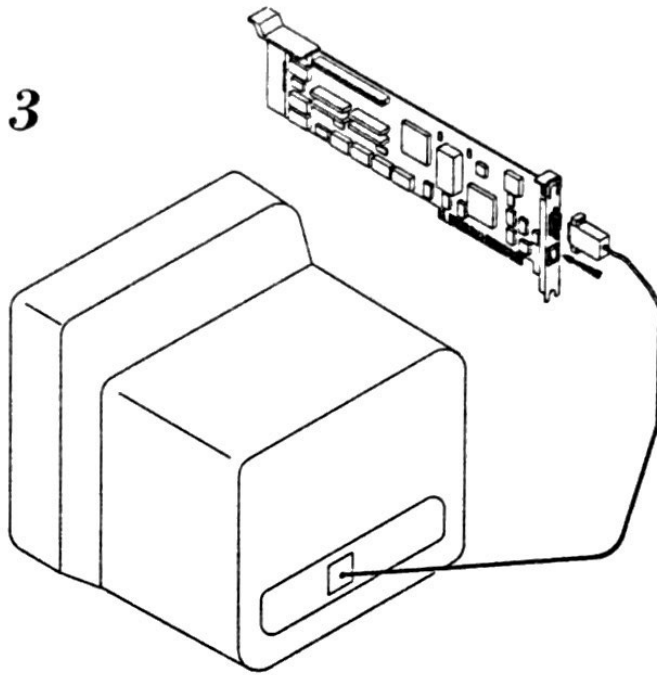

***Quick Install Guide for the
Paradise 8514/A Plus Card
For the Micro Channel Bus***

Quick Install Guide for the Paradise 8514/A Plus Card For the Micro Channel Bus

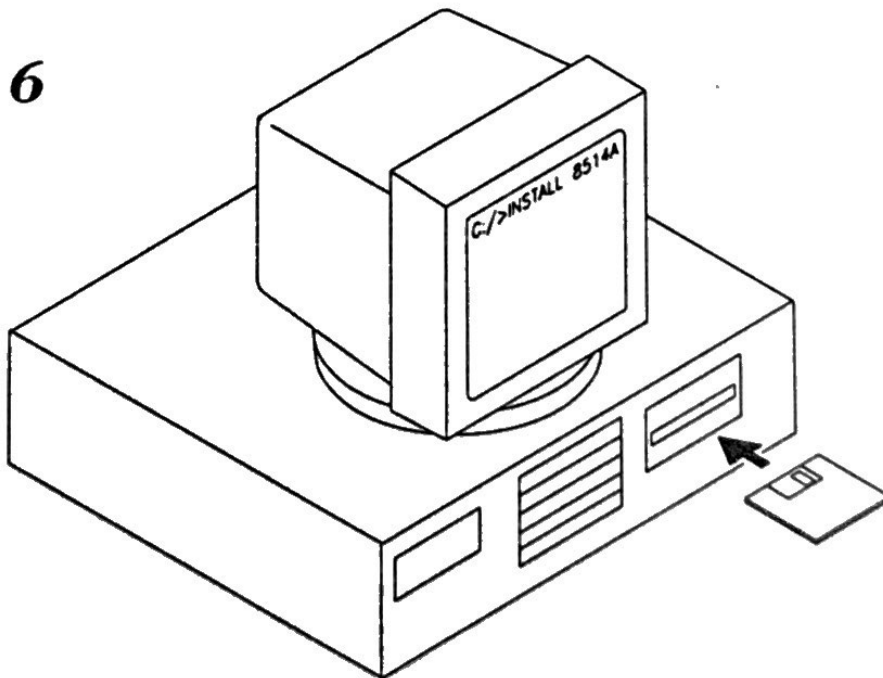


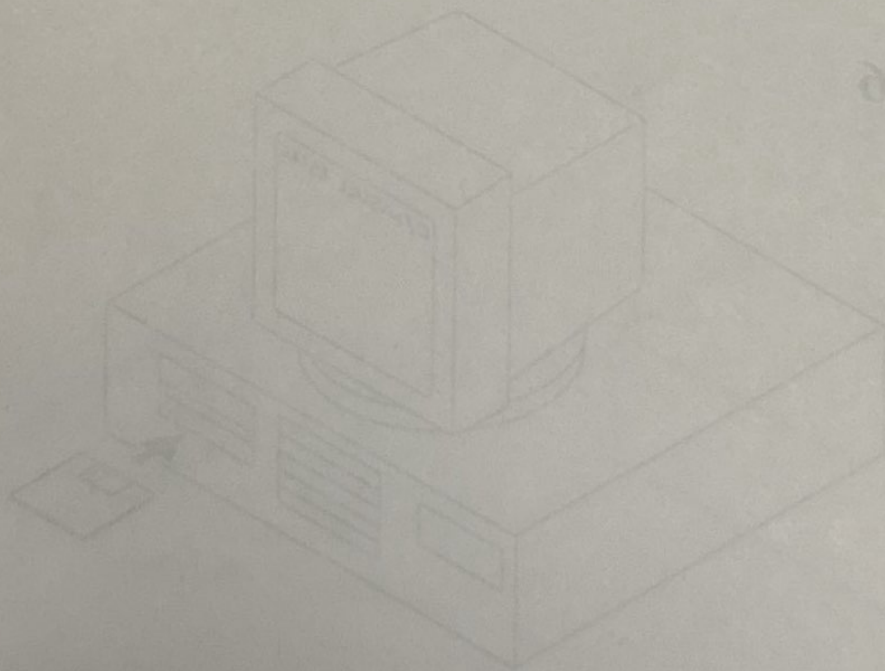
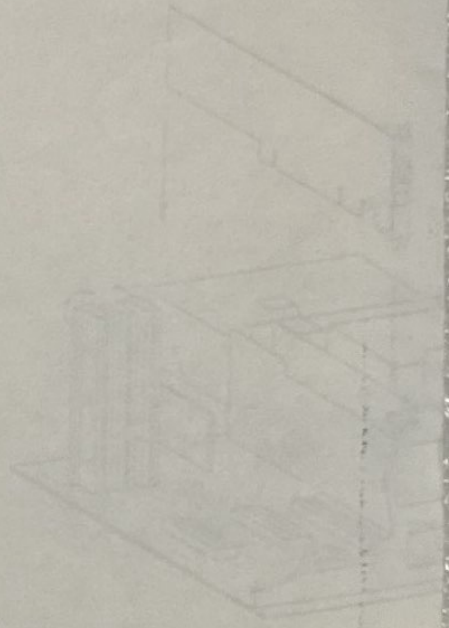
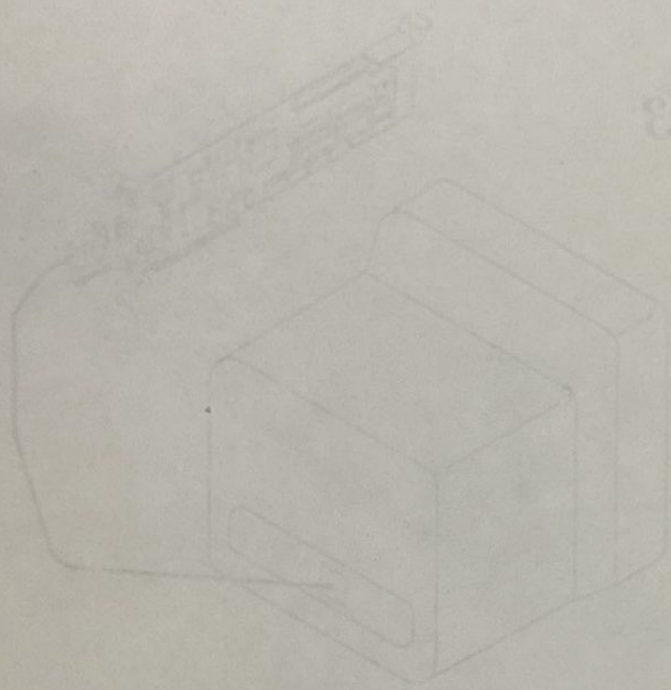


3



6





Canadian Department of Communications compliance statement

This equipment does not exceed Class B limits per radio noise emissions for digital apparatus, set out in the Radio Interference Regulation of the Canadian Department of Communications. Operation in a residential area may cause unacceptable interference to radio and TV reception requiring the owner or operator to take whatever steps are necessary to correct the interference.

Avis de conformité aux normes du ministère des Communications du Canada

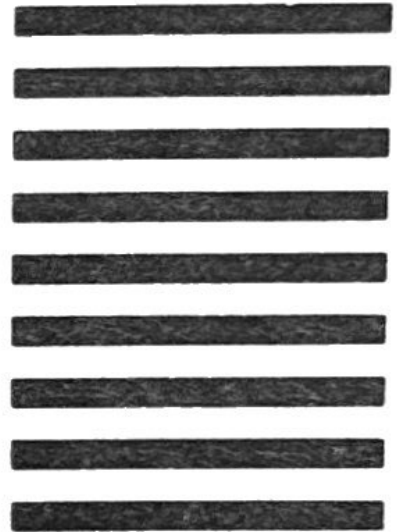
Cet équipement ne dépasse pas les limites de Classe B d'émission de bruits radioélectriques pour les appareils numériques, telles que prescrites par le Règlement sur le brouillage radioélectrique établi par le ministère des Communications du Canada. L'exploitation faite en milieu résidentiel peut entraîner le brouillage des réceptions radio et télé, ce qui obligerait le propriétaire ou l'opérateur à prendre les dispositions nécessaires pour en éliminer les causes.



NO POSTAGE
NECESSARY
IF MAILED
IN THE
UNITED STATES

BUSINESS REPLY CARD
FIRST CLASS PERMIT NO. 212 MOUNTAIN VIEW, CA

POSTAGE WILL BE PAID BY ADDRESSEE



PARADISE™

Western Digital Imaging

**800 E. Middlefield Road
Mountain View CA 94043-9701**



Dear Paradise Brand Customer:

Thank you for purchasing this Paradise Brand product. We are proud of the care that went into its design and manufacture. We are sure that it will afford you many years of use.

So that we can better serve you in the future, and to assist us in quickly processing your warranty claim (should one be necessary), please take the time to fill out and return the attached, postage paid reply card.

Your comments and suggestions are welcome. Please address them to:

Western Digital Imaging/Paradise

800 E. Middlefield Road

Mountain View, CA 94043-9701

Attn: Product Marketing Manager

*Proper matching of card type to PC bus structure is required.

that runs the software or give you your money back.

an IBM 8514/A Card (without any additional video controller cards), Western Digital Imaging will replace the card with one to run on an IBM PC/XT/AT or IBM PS/2* with a Paradise Card, but will run on the same IBM PC/XT/AT or IBM PS/2* with Western Digital Imaging guarantees that if any 8514/A compatible application software fails during the warranty period, Western Digital Imaging will replace the card with one.

COMPATIBILITY GUARANTEE

THIS WARRANTY IS MADE IN LIEU OF ANY OTHER WARRANTY EXPRESS OR IMPLIED. WESTERN DIGITAL IMAGING MAKES NO OTHER WARRANTIES, EXPRESS OR IMPLIED, INCLUDING ANY WARRANTY OF FITNESS FOR A PARTICULAR PURPOSE OR OF MERCHANTABILITY. IN NO EVENT SHALL WESTERN DIGITAL IMAGING BE LIABLE FOR INDIRECT, SPECIAL OR CONSEQUENTIAL DAMAGES SUCH AS LOSS OF PROFITS OF BUSINESS OPPORTUNITIES.

Western Digital Imaging warrants this Paradise™ product to be in good working order and free from defects in materials and workmanship for a period of 3 years from the date of delivery to the customer. Western Digital Imaging's liability shall be limited to replacing or repairing, at its option any defective product which is returned F.O.B. to an authorized Paradise Computer Products Dealer or to Western Digital Imaging's plant at 800 E. Middlefield Road, Mountain View, CA 94043-9701, but in no case is any product to be returned to Western Digital Imaging without first obtaining the written permission of Western Digital Imaging. Western Digital Imaging shall not be responsible for shipping charges for such a return nor for any loss or damage to the product occurring during the return. Products which have been subject to abuse, misuse, alteration, neglect, unauthorized repair or installation are not covered by the warranty. Western Digital Imaging shall make the final determination as to the existence and cause of alleged defect. No warranty is made with respect to custom products produced to the customer's specifications except as specifically stated in writing by Western Digital Imaging.

LIMITED WARRANTY

PARADISE Purchase Registration

Name _____ Tel. No. _____

Company/Gov't./School _____

Address _____

City/State/Zip _____

Thank you for purchasing a Paradise Product. Please complete this card and mail it to us for our Warranty records.

1. Product purchased:

Model _____

Date purchased _____

Serial No. _____

2. Where product was purchased:

Retail store

Name/Location

Mail Order

Other _____

Specify

3. Where product is used:

Business — 25 or more employees

Business — less than 25 employees

Government

Education

Home or Home Office

Other _____

Specify

4. Amount of PC use:

Dedicated, full-time

Occasional

5. Reason for product purchase:

Specified by employer

Dealer recommendation

Paradise reputation

Software compatibility

Higher resolution

Value for the price

Other _____

Specify

6. Type of computer you use:

IBM PC/XT and compatibles (8088)

IBM AT and compatibles (8026)

80386/b-based Computers

80486/b-based Computers

7. When product was purchased:

Part of new system

Upgrade

8. Computer purchase plans for next

12 mo.

Less than 10

11-24

25-49

50 or more

9. Type of monitor used:

Fixed-frequency VGA

Multi-frequency (800 × 600)

Multi-frequency (1024 × 768)

8514/A fixed-frequency

Other _____

Specify

10. Primary software used:

CAD

Desk-top publishing

Office automation

Specify: _____