

[54] COMPUTER DISPLAY

[75] Inventors: Larry G. Beaton, Garner; Kevin T. McClain, Durham; Jonathan J. Vitello, Raleigh; Timothy D. Wetzell, Durham; Roger C. Williams, Raleigh, all of N.C.

[73] Assignee: International Business Machines Corporation, Armonk, N.Y.

[\*\*] Term: 14 Years

[21] Appl. No.: 943,964

[22] Filed: Dec. 18, 1986

[52] U.S. Cl. .... D14/113

[58] Field of Search ..... D14/100-117; D18/1, 2, 5, 6, 7, 11, 12; 235/145 A, 145 R; 340/700, 706, 711, 712; 400/677, 682, 472, 489, 492, 496, 676; 364/130, 144, 143, 145, 146, 189, 200, 706, 707, 708, 709, 710; 358/249, 254; 341/22, 23; 200/5 A

[56] References Cited

U.S. PATENT DOCUMENTS

- D. 278,911 5/1985 Ohnuma et al. .... D14/113
- D. 282,846 3/1986 Tsuburaya et al. .... D14/113
- D. 284,379 6/1986 Fischer ..... D14/113
- D. 295,414 4/1988 Yokoi et al. .... D14/113

OTHER PUBLICATIONS

Design, Jan. 1981, p. 37—The Nexos 2200 Visual Display (top of page).  
InfoWorld, Dec. 19, 1983, vol. 5, No. 51, p. 17—Visual Display.

Primary Examiner—Susan J. Lucas  
Assistant Examiner—Freda S. Nunn  
Attorney, Agent, or Firm—Gerald R. Woods

[57] CLAIM

The ornamental design of a computer display, as shown and described.

DESCRIPTION

FIG. 1 is a top, front right side perspective view of a computer display showing our new design; FIG. 2 is a front elevational view thereof, on an enlarged scale; FIG. 3 is a right side elevational view thereof, on an enlarged scale; FIG. 4 is a left side elevational view thereof, on an enlarged scale; FIG. 5 is a top plan view thereof, on an enlarged scale; FIG. 6 is a rear elevational view thereof on an enlarged scale; FIG. 7 is a bottom plan view thereof, on an enlarged scale.

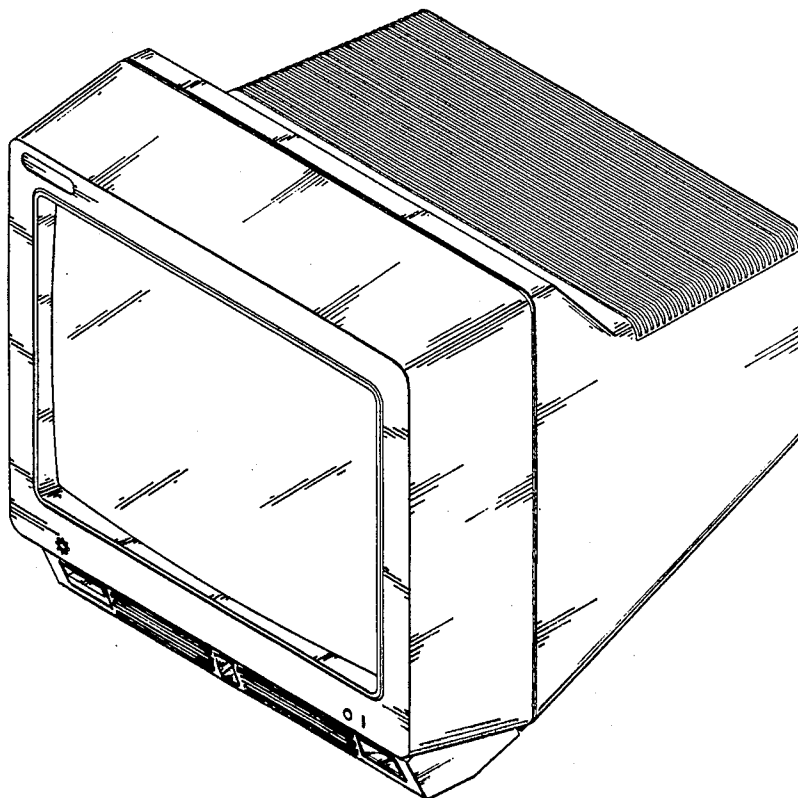


FIG. 1

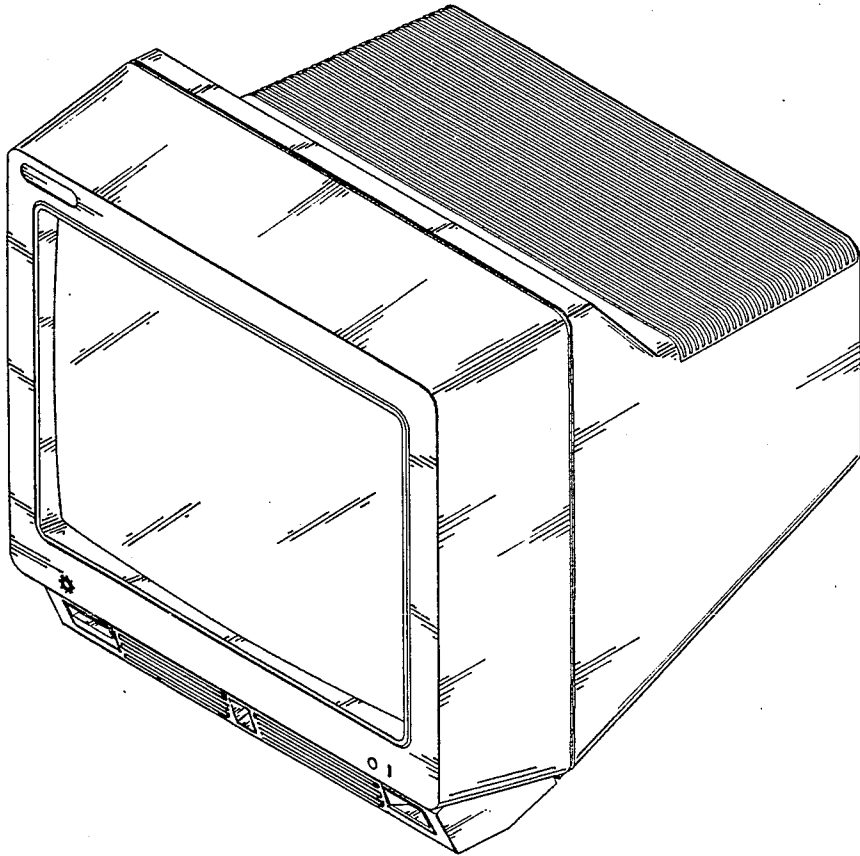


FIG. 2

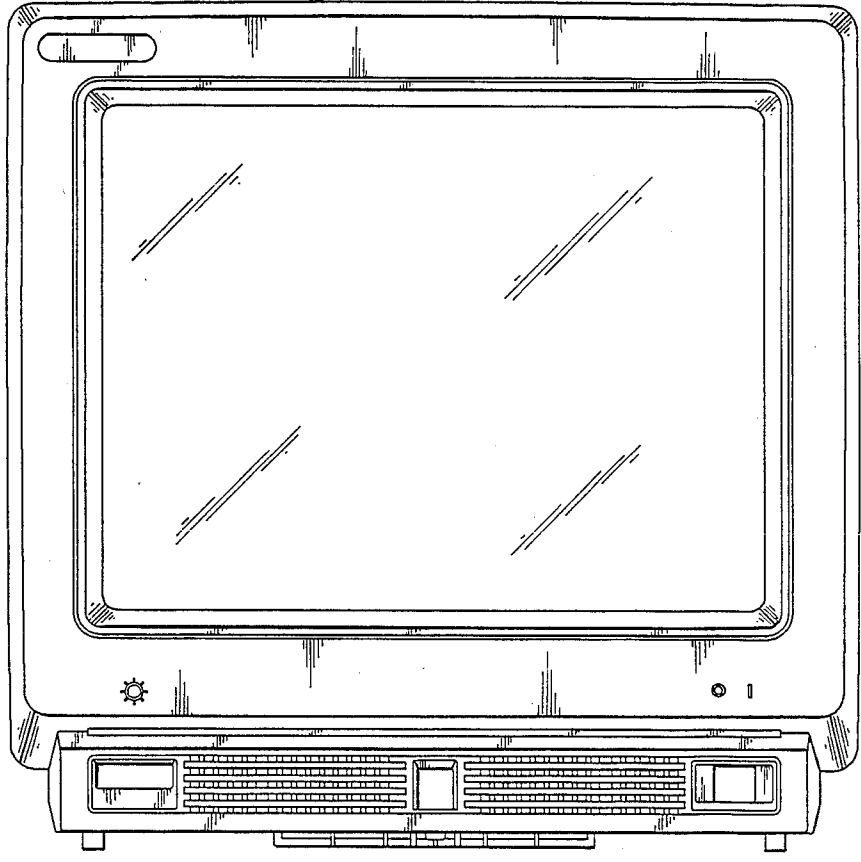


FIG. 3

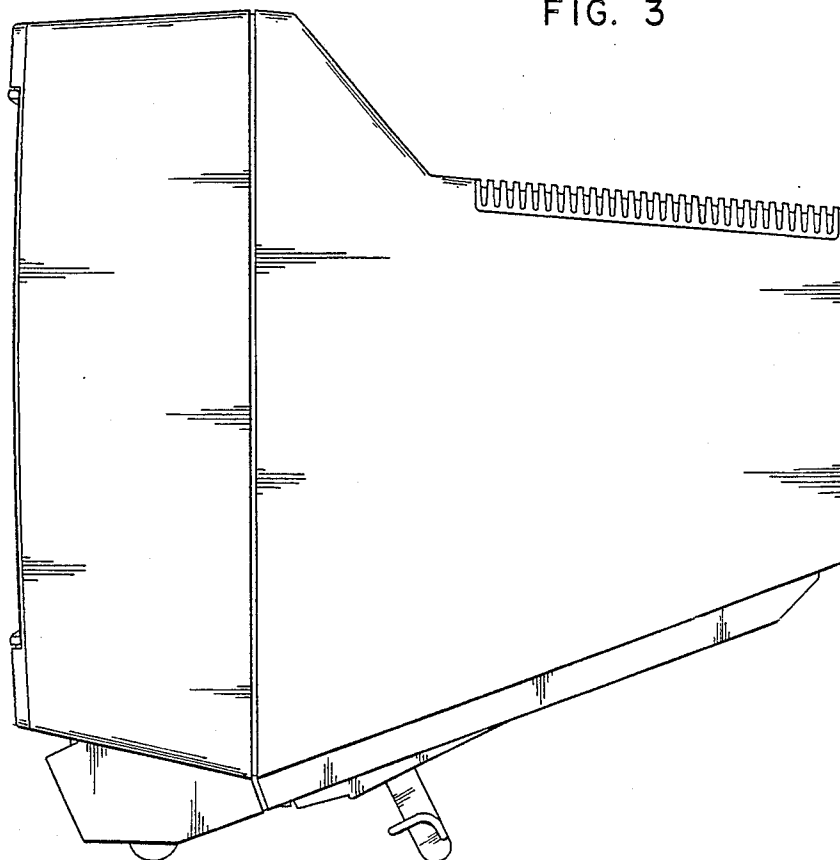


FIG. 4

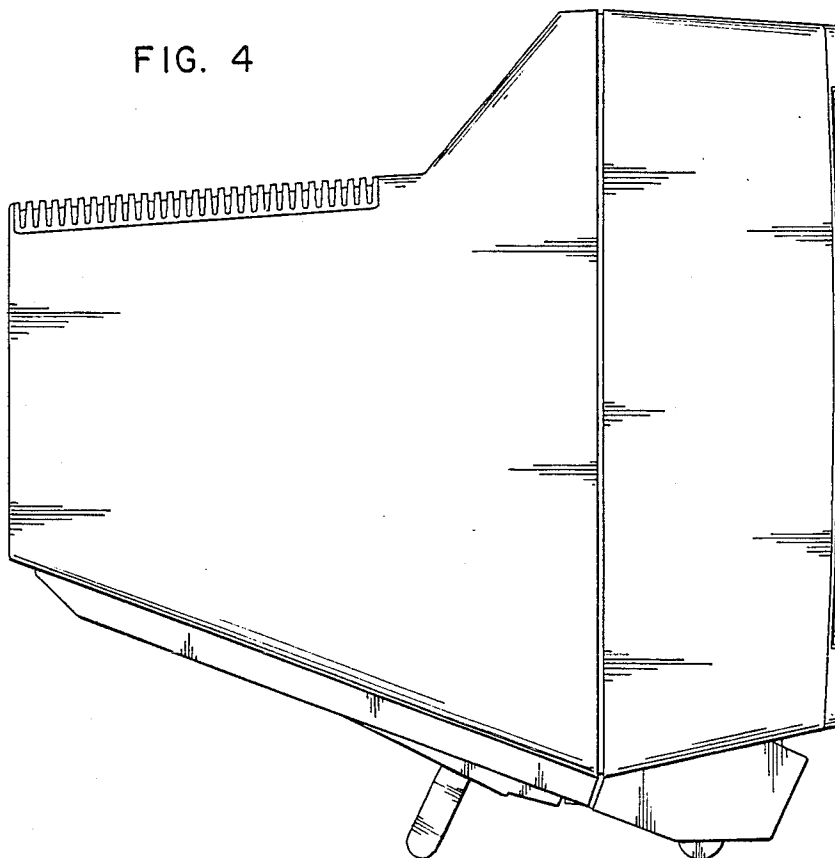


FIG. 5

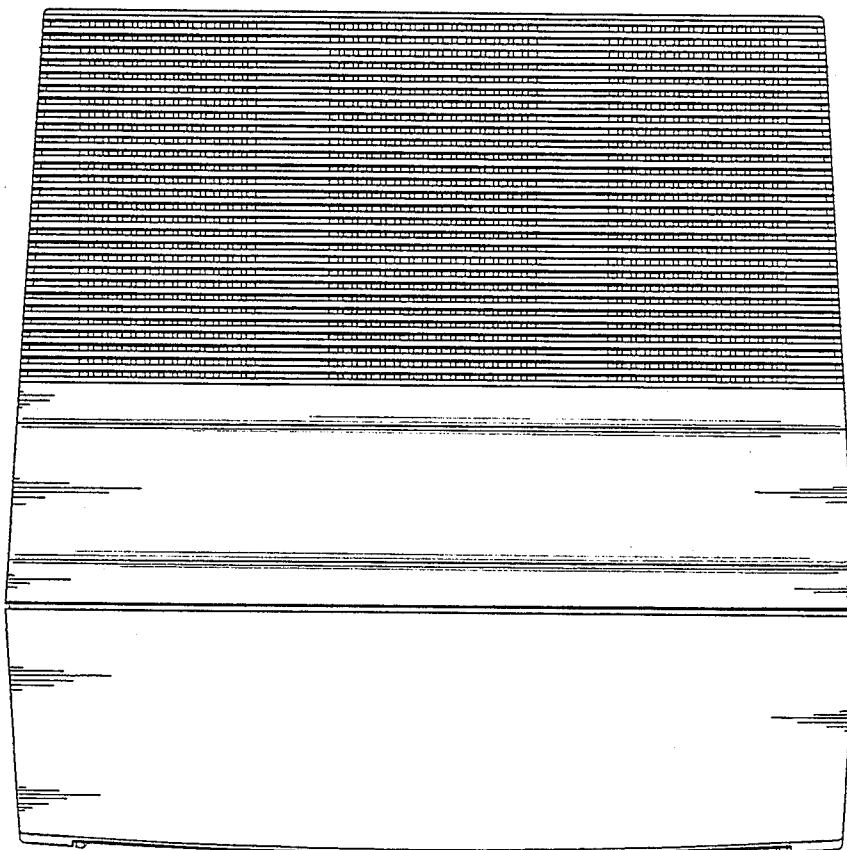


FIG. 6

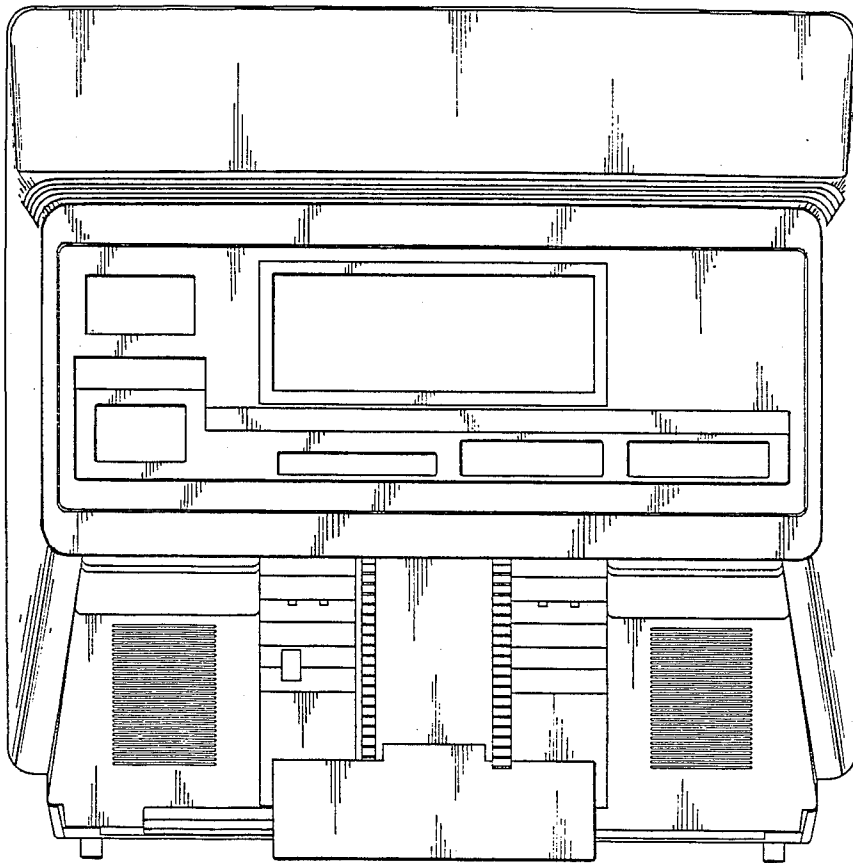


FIG. 7

