



## CMOS Static RAM 16K (2K x 8-Bit)

**IDT6116SA**  
**IDT6116LA**

### Features

- ◆ High-speed access and chip select times
  - Military: 20/25/35/45/55/70/90/120/150ns (max.)
  - Industrial: 20/25/35/45ns (max.)
  - Commercial: 15/20/25/35/45ns (max.)
- ◆ Low-power consumption
- ◆ Battery backup operation
  - 2V data retention voltage (LA version only)
- ◆ Produced with advanced CMOS high-performance technology
- ◆ CMOS process virtually eliminates alpha particle soft-error rates
- ◆ Input and output directly TTL-compatible
- ◆ Static operation: no clocks or refresh required
- ◆ Available in ceramic and plastic 24-pin DIP, 24-pin Thin Dip, 24-pin SOIC and 24-pin SOJ
- ◆ Military product compliant to MIL-STD-883, Class B

### Description

The IDT6116SA/LA is a 16,384-bit high-speed static RAM organized as 2K x 8. It is fabricated using IDT's high-performance, high-reliability CMOS technology.

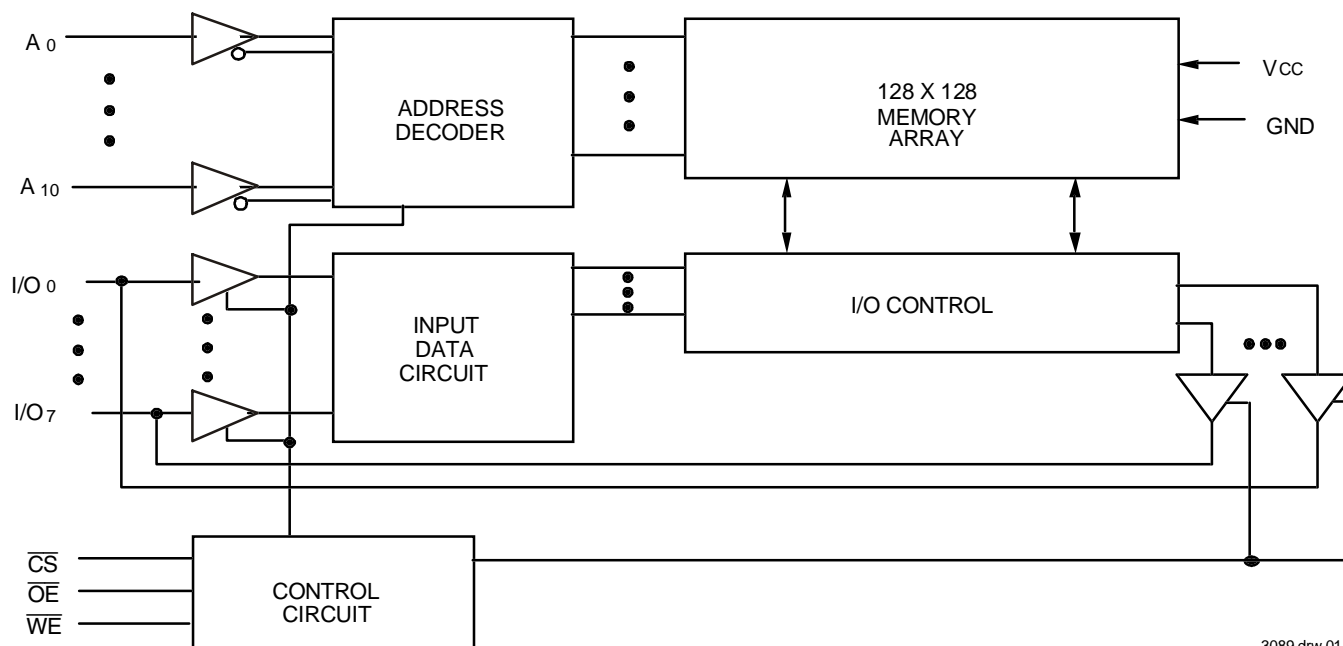
Access times as fast as 15ns are available. The circuit also offers a reduced power standby mode. When  $\overline{CS}$  goes HIGH, the circuit will automatically go to, and remain in, a standby power mode, as long as  $\overline{CS}$  remains HIGH. This capability provides significant system level power and cooling savings. The low-power (LA) version also offers a battery backup data retention capability where the circuit typically consumes only 1 $\mu$ W to 4 $\mu$ W operating off a 2V battery.

All inputs and outputs of the IDT6116SA/LA are TTL-compatible. Fully static asynchronous circuitry is used, requiring no clocks or refreshing for operation.

The IDT6116SA/LA is packaged in 24-pin 600 and 300 mil plastic or ceramic DIP, 24-lead gull-wing SOIC, and 24-lead J-bend SOJ providing high board-level packing densities.

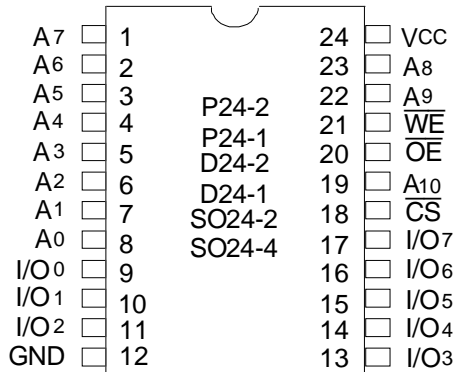
Military grade product is manufactured in compliance to the latest version of MIL-STD-883, Class B, making it ideally suited to military temperature applications demanding the highest level of performance and reliability.

### Functional Block Diagram



FEBRUARY 2001

## Pin Configurations



3089 drw 02

### DIP/SOIC/SOJ Top View

## Pin Description

Name	Description
A0 - A10	Address Inputs
I/O0 - I/O7	Data Input/Output
$\overline{CS}$	Chip Select
$\overline{WE}$	Write Enable
$\overline{OE}$	Output Enable
Vcc	Power
GND	Ground

3089 tbl 01

## Truth Table<sup>(1)</sup>

Mode	$\overline{CS}$	$\overline{OE}$	$\overline{WE}$	I/O
Standby	H	X	X	High-Z
Read	L	L	H	DATA <sub>OUT</sub>
Read	L	H	H	High-Z
Write	L	X	L	DATA <sub>IN</sub>

3089 tbl 02

### NOTE:

1. H = V<sub>IH</sub>, L = V<sub>IL</sub>, X = Don't Care.

## Capacitance (TA = +25°C, f = 1.0 MHz)

Symbol	Parameter <sup>(1)</sup>	Conditions	Max.	Unit
C <sub>IN</sub>	Input Capacitance	V <sub>IN</sub> = 0V	8	pF
C <sub>VO</sub>	I/O Capacitance	V <sub>OUT</sub> = 0V	8	pF

3089 tbl 03

### NOTE:

1. This parameter is determined by device characterization, but is not production tested.

## Absolute Maximum Ratings<sup>(1)</sup>

Symbol	Rating	Com'l.	Mil.	Unit
V <sub>TERM</sub> <sup>(2)</sup>	Terminal Voltage with Respect to GND	-0.5 to +7.0	-0.5 to +7.0	V
T <sub>A</sub>	Operating Temperature	0 to +70	-55 to +125	°C
T <sub>BIAS</sub>	Temperature Under Bias	-55 to +125	-65 to +135	°C
T <sub>STG</sub>	Storage Temperature	-55 to +125	-65 to +150	°C
P <sub>T</sub>	Power Dissipation	1.0	1.0	W
I <sub>OUT</sub>	DC Output Current	50	50	mA

3089 tbl 04

### NOTES:

1. Stresses greater than those listed under ABSOLUTE MAXIMUM RATINGS may cause permanent damage to the device. This is a stress rating only and functional operation of the device at these or any other conditions above those indicated in the operational sections of this specification is not implied. Exposure to absolute maximum rating conditions for extended periods may affect reliability.

2. V<sub>TERM</sub> must not exceed V<sub>CC</sub> +0.5V.

## Recommended Operating Temperature and Supply Voltage

Grade	Ambient Temperature	GND	V <sub>CC</sub>
Military	-55°C to +125°C	0V	5.0V ± 10%
Industrial	-45°C to +85°C	0V	5.0V ± 10%
Commercial	0°C to +70°C	0V	5.0V ± 10%

3089 tbl 05

## Recommended DC Operating Conditions

Symbol	Parameter	Min.	Typ.	Max.	Unit
V <sub>CC</sub>	Supply Voltage	4.5	5.0	5.5 <sup>(2)</sup>	V
GND	Ground	0	0	0	V
V <sub>IH</sub>	Input High Voltage	2.2	3.5	V <sub>CC</sub> + 0.5	V
V <sub>IL</sub>	Input Low Voltage	-0.5 <sup>(1)</sup>	—	0.8	V

3089 tbl 06

### NOTES:

- V<sub>IL</sub> (min.) = -3.0V for pulse width less than 20ns, once per cycle.
- V<sub>IH</sub> must not exceed V<sub>CC</sub> + 0.5V.

## DC Electrical Characteristics

(V<sub>CC</sub> = 5.0V ± 10%)

Symbol	Parameter	Test Conditions	IDT6116SA		IDT6116LA		Unit	
			Min.	Max.	Min.	Max.		
I <sub>I</sub>	Input Leakage Current	V <sub>CC</sub> = Max., V <sub>IN</sub> = GND to V <sub>CC</sub>	MIL. COM'L.	—	10	—	5	μA
				—	5	—	2	
I <sub>O</sub>	Output Leakage Current	V <sub>CC</sub> = Max., $\overline{CS}$ = V <sub>IH</sub> , V <sub>OUT</sub> = GND to V <sub>CC</sub>	MIL. COM'L.	—	10	—	5	μA
				—	5	—	2	
V <sub>OL</sub>	Output Low Voltage	I <sub>OL</sub> = 8mA, V <sub>CC</sub> = Min.	—	0.4	—	0.4	V	
V <sub>OH</sub>	Output High Voltage	I <sub>OH</sub> = -4mA, V <sub>CC</sub> = Min.	2.4	—	2.4	—	V	

3089 tbl 07

## DC Electrical Characteristics<sup>(1)</sup>

(V<sub>CC</sub> = 5.0V ± 10%, V<sub>LC</sub> = 0.2V, V<sub>HC</sub> = V<sub>CC</sub> - 0.2V)

Symbol	Parameter	Power	6116SA15	6116SA20 6116LA20		6116SA25 6116LA25		6116SA35 6116LA35		Unit
			Com'l Only	Com'l & Ind	Mil	Com'l & Ind	Mil	Com'l. & Ind.	Mil	
I <sub>CC1</sub>	Operating Power Supply Current CS ≤ V <sub>IL</sub> , Outputs Open V <sub>CC</sub> = Max., f = 0	SA	105	105	130	80	90	80	90	mA
		LA	95	95	120	75	85	75	85	
I <sub>CC2</sub>	Dynamic Operating Current CS ≤ V <sub>IL</sub> , Outputs Open V <sub>CC</sub> = Max., f = f <sub>MAX</sub> <sup>(2)</sup>	SA	150	130	150	120	135	100	115	mA
		LA	140	120	140	110	125	95	105	
I <sub>SB</sub>	Standby Power Supply Current (TTL Level) CS ≥ V <sub>IH</sub> , Outputs Open V <sub>CC</sub> = Max., f = f <sub>MAX</sub> <sup>(2)</sup>	SA	40	40	50	40	45	25	35	mA
		LA	35	35	45	35	40	25	30	
I <sub>SB1</sub>	Full Standby Power Supply Current (CMOS Level) CS ≥ V <sub>HC</sub> , V <sub>CC</sub> = Max., V <sub>IN</sub> ≤ V <sub>LC</sub> or V <sub>IN</sub> ≥ V <sub>HC</sub> , f = 0	SA	2	2	10	2	10	2	10	mA
		LA	0.1	0.1	0.9	0.1	0.9	0.1	0.9	

3089 tbl 08

### NOTES:

- All values are maximum guaranteed values.
- f<sub>MAX</sub> = 1/Trc, only address inputs are cycling at f<sub>MAX</sub>, f = 0 means address inputs are not changing.

**DC Electrical Characteristics<sup>(1)</sup> (continued)**  
**(V<sub>CC</sub> = 5.0V ± 10%, V<sub>LC</sub> = 0.2V, V<sub>HC</sub> = V<sub>CC</sub> - 0.2V)**

Symbol	Parameter	Power	6116SA45 6116LA45		6116SA55 6116LA55	6116SA70 6116LA70	6116SA90 6116LA90	6116SA120 6116LA120	6116SA150 6116LA150	Unit
			Com'l & Ind	Mil	Mil Only	Mil Only	Mil Only	Mil Only	Mil Only	
I <sub>CC1</sub>	Operating Power Supply Current, $\overline{CS} \leq V_{IL}$ , Outputs Open V <sub>CC</sub> = Max., f = 0	SA	80	90	90	90	90	90	90	mA
		LA	75	85	85	85	85	85	85	
I <sub>CC2</sub>	Dynamic Operating Current, $\overline{CS} \leq V_{IL}$ , Outputs Open V <sub>CC</sub> = Max., f = f <sub>MAX</sub> <sup>(2)</sup>	SA	100	100	100	100	100	100	90	mA
		LA	90	95	90	90	85	85	85	
I <sub>SB</sub>	Standby Power Supply Current (TTL Level) $\overline{CS} \geq V_{IH}$ , Outputs Open V <sub>CC</sub> = Max., f = f <sub>MAX</sub> <sup>(2)</sup>	SA	25	25	25	25	25	25	25	mA
		LA	20	20	20	20	25	15	15	
I <sub>SB1</sub>	Full Standby Power Supply Current (CMOS Level), $\overline{CS} \geq V_{HC}$ , V <sub>CC</sub> = Max., V <sub>IN</sub> ≤ V <sub>LC</sub> or V <sub>IN</sub> ≥ V <sub>HC</sub> , f = 0	SA	2	10	10	10	10	10	10	mA
		LA	0.1	0.9	0.9	0.9	0.9	0.9	0.9	

3089 tbl 09

NOTES:

- All values are maximum guaranteed values.
- f<sub>MAX</sub> = 1/trc, only address inputs are toggling at f<sub>MAX</sub>, f = 0 means address inputs are not changing.

**Data Retention Characteristics Over All Temperature Ranges**  
**(LA Version Only) (V<sub>LC</sub> = 0.2V, V<sub>HC</sub> = V<sub>CC</sub> - 0.2V)**

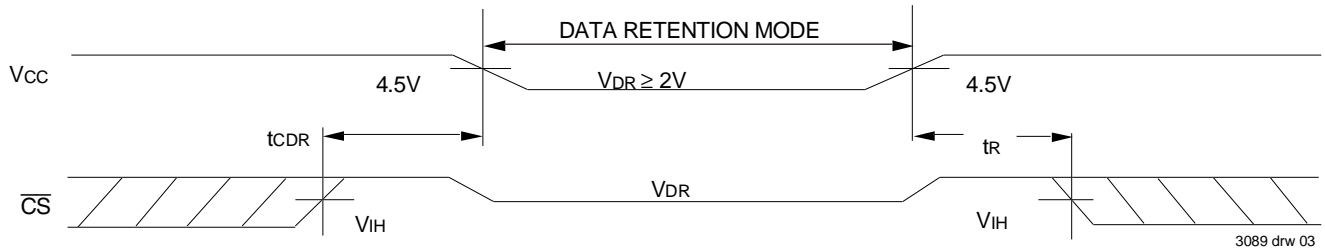
Symbol	Parameter	Test Condition	Min.	Typ. <sup>(1)</sup> V <sub>CC</sub> @		Max. V <sub>CC</sub> @		Unit
				2.0V	3.0V	2.0V	3.0V	
V <sub>DR</sub>	V <sub>CC</sub> for Data Retention	—	2.0	—	—	—	—	V
I <sub>CCDR</sub>	Data Retention Current	MIL. COM'L.	—	0.5	1.5	200	300	μA
			—	0.5	1.5	20	30	
t <sub>CDR</sub> <sup>(3)</sup>	Chip Deselect to Data Retention Time	$\overline{CS} \geq V_{HC}$ V <sub>IN</sub> ≥ V <sub>HC</sub> or ≤ V <sub>LC</sub>	—	0	—	—	—	ns
t <sub>R</sub> <sup>(3)</sup>	Operation Recovery Time		t <sub>RC</sub> <sup>(2)</sup>	—	—	—	—	ns
I <sub>LIL</sub>	Input Leakage Current		—	—	—	2	2	μA

3089 tbl 10

NOTES:

- T<sub>A</sub> = + 25°C
- t<sub>RC</sub> = Read Cycle Time.
- This parameter is guaranteed by device characterization, but is not production tested.

## Low Vcc Data Retention Waveform



## AC Test Conditions

Input Pulse Levels	GND to 3.0V
Input Rise/Fall Times	5ns
Input Timing Reference Levels	1.5V
Output Reference Levels	1.5V
AC Test Load	See Figures 1 and 2

3089 tbl 11

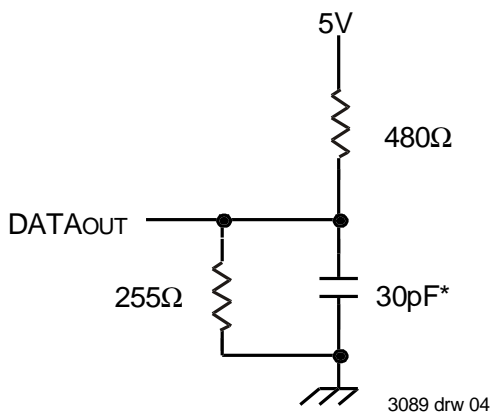


Figure 1. AC Test Load

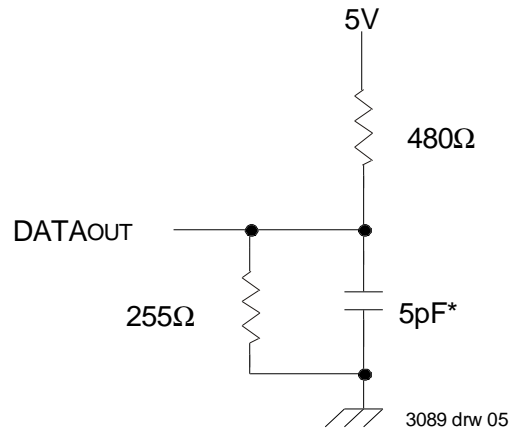


Figure 2. AC Test Load  
 (for tOLZ, tCLZ, tOHZ, tWHZ, tCHZ & tOW)

\*Including scope and jig.

**AC Electrical Characteristics (Vcc = 5V ± 10%, All Temperature Ranges)**

Symbol	Parameter	6116SA15 <sup>(1)</sup>		6116SA20 6116LA20		6116SA25 6116LA25		6116SA35 6116LA35		Unit
		Min.	Max.	Min.	Max.	Min.	Max.	Min.	Max.	
<b>Read Cycle</b>										
t <sub>RC</sub>	Read Cycle Time	15	—	20	—	25	—	35	—	ns
t <sub>AA</sub>	Address Access Time	—	15	—	19	—	25	—	35	ns
t <sub>ACS</sub>	Chip Select Access Time	—	15	—	20	—	25	—	35	ns
t <sub>CLZ</sub> <sup>(3)</sup>	Chip Select to Output in Low-Z	5	—	5	—	5	—	5	—	ns
t <sub>OE</sub>	Output Enable to Output Valid	—	10	—	10	—	13	—	20	ns
t <sub>OLZ</sub> <sup>(3)</sup>	Output Enable to Output in Low-Z	0	—	0	—	5	—	5	—	ns
t <sub>CHZ</sub> <sup>(3)</sup>	Chip Deselect to Output in High-Z	—	10	—	11	—	12	—	15	ns
t <sub>OHZ</sub> <sup>(3)</sup>	Output Disable to Output in High-Z	—	8	—	8	—	10	—	13	ns
t <sub>OH</sub>	Output Hold from Address Change	5	—	5	—	5	—	5	—	ns
t <sub>PU</sub> <sup>(3)</sup>	Chip Select to Power Up Time	0	—	0	—	0	—	0	—	ns
t <sub>PD</sub> <sup>(3)</sup>	Chip Deselect to Power Down Time	—	15	—	20	—	25	—	35	ns

3089 tbl 12

**AC Electrical Characteristics (Vcc = 5V ± 10%, All Temperature Ranges) (continued)**

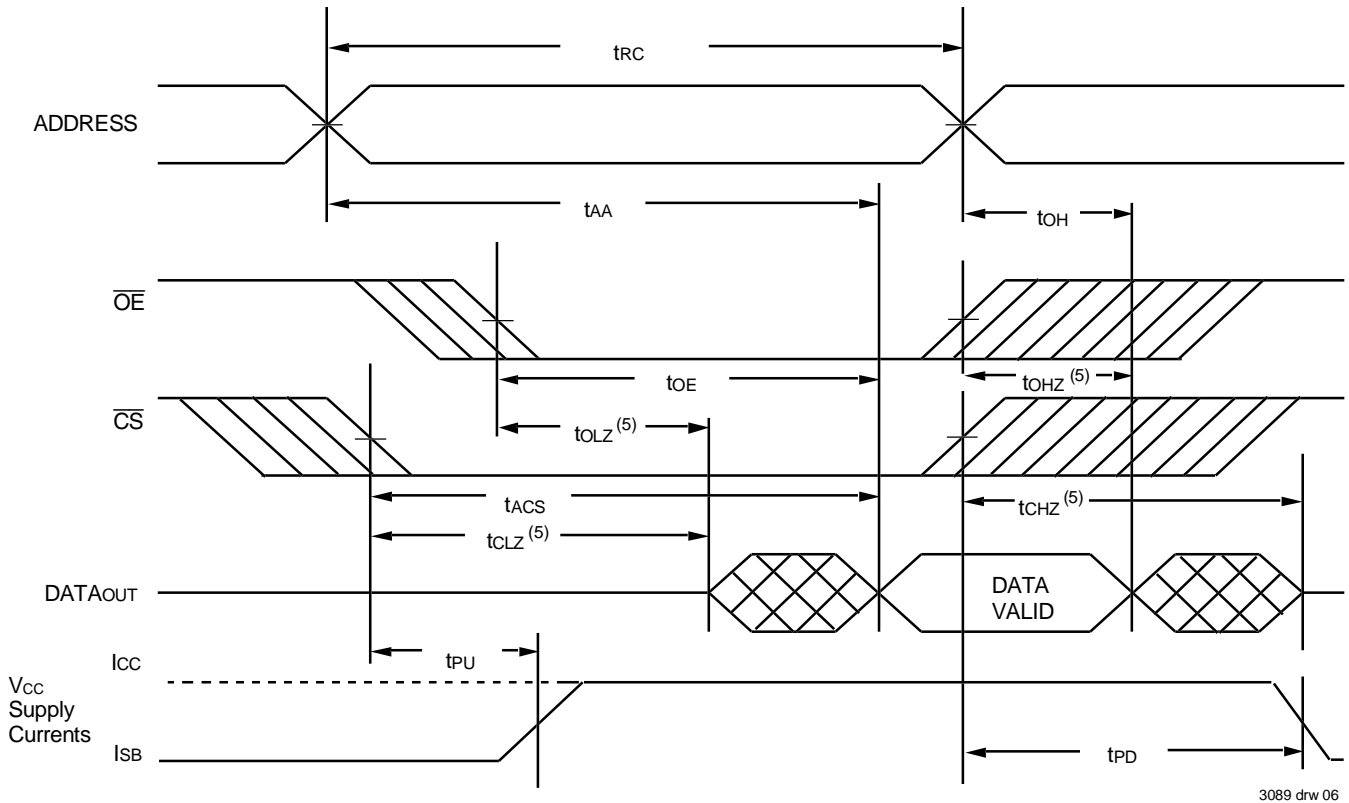
Symbol	Parameter	6116SA45 6116LA45		6116SA55 <sup>(2)</sup> 6116LA55 <sup>(2)</sup>		6116SA70 <sup>(2)</sup> 6116LA70 <sup>(2)</sup>		6116SA90 <sup>(2)</sup> 6116LA90 <sup>(2)</sup>		6116SA120 <sup>(2)</sup> 6116LA120 <sup>(2)</sup>		6116SA150 <sup>(2)</sup> 6116LA150 <sup>(2)</sup>		Unit
		Min.	Max.	Min.	Max.	Min.	Max.	Min.	Max.	Min.	Max.	Min.	Max.	
<b>Read Cycle</b>														
t <sub>RC</sub>	Read Cycle Time	45	—	55	—	70	—	90	—	120	—	150	—	ns
t <sub>AA</sub>	Address Access Time	—	45	—	55	—	70	—	90	—	120	—	150	ns
t <sub>ACS</sub>	Chip Select Access Time	—	45	—	50	—	65	—	90	—	120	—	150	ns
t <sub>CLZ</sub> <sup>(3)</sup>	Chip Select to Output in Low-Z	5	—	5	—	5	—	5	—	5	—	5	—	ns
t <sub>OE</sub>	Output Enable to Output Valid	—	25	—	40	—	50	—	60	—	80	—	100	ns
t <sub>OLZ</sub> <sup>(3)</sup>	Output Enable to Output in Low-Z	5	—	5	—	5	—	5	—	5	—	5	—	ns
t <sub>CHZ</sub> <sup>(3)</sup>	Chip Deselect to Output in High-Z	—	20	—	30	—	35	—	40	—	40	—	40	ns
t <sub>OHZ</sub> <sup>(3)</sup>	Output Disable to Output in High-Z	—	15	—	30	—	35	—	40	—	40	—	40	ns
t <sub>OH</sub>	Output Hold from Address Change	5	—	5	—	5	—	5	—	5	—	5	—	ns

3089 tbl 13

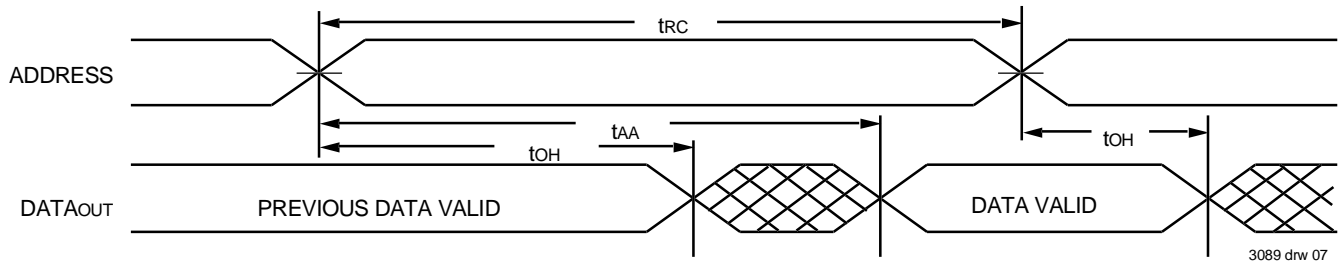
**NOTES:**

- 0°C to +70°C temperature range only.
- 55°C to +125°C temperature range only.
- This parameter guaranteed with the AC Load (Figure 2) by device characterization, but is not production tested.

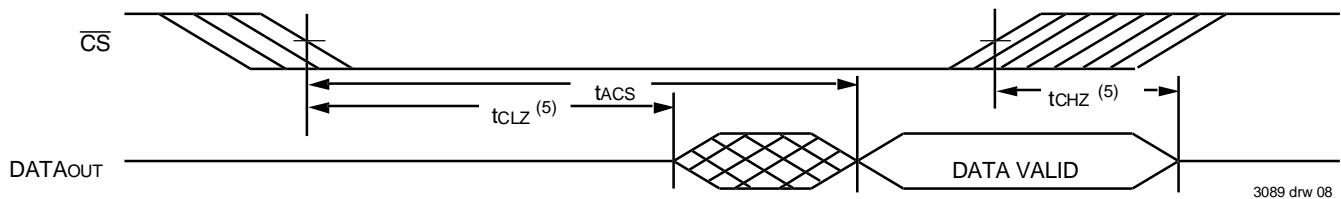
### Timing Waveform of Read Cycle No. 1<sup>(1,3)</sup>



### Timing Waveform of Read Cycle No. 2<sup>(1,2,4)</sup>



### Timing Waveform of Read Cycle No. 3<sup>(1,3,4)</sup>



**NOTES:**

1.  $\overline{WE}$  is HIGH for Read cycle.
2. Device is continuously selected,  $\overline{CS}$  is LOW.
3. Address valid prior to or coincident with  $\overline{CS}$  transition LOW.
4.  $\overline{OE}$  is LOW.
5. Transition is measured  $\pm 500\text{mV}$  from steady state.

**AC Electrical Characteristics (Vcc = 5V ± 10%, All Temperature Ranges)**

Symbol	Parameter	6116SA15 <sup>(1)</sup>		6116SA20 6116LA20		6116SA25 6116LA25		6116SA35 6116LA35		Unit
		Min.	Max.	Min.	Max.	Min.	Max.	Min.	Max.	
<b>Write Cycle</b>										
t <sub>WC</sub>	Write Cycle Time	15	—	20	—	25	—	35	—	ns
t <sub>CW</sub>	Chip Select to End-of-Write	13	—	15	—	17	—	25	—	ns
t <sub>AW</sub>	Address Valid to End-of-Write	14	—	15	—	17	—	25	—	ns
t <sub>AS</sub>	Address Set-up Time	0	—	0	—	0	—	0	—	ns
t <sub>WP</sub>	Write Pulse Width	12	—	12	—	15	—	20	—	ns
t <sub>WR</sub>	Write Recovery Time	0	—	0	—	0	—	0	—	ns
t <sub>WHZ</sub> <sup>(3)</sup>	Write to Output in High-Z	—	7	—	8	—	16	—	20	ns
t <sub>DW</sub>	Data to Write Time Overlap	12	—	12	—	13	—	15	—	ns
t <sub>DH</sub> <sup>(4)</sup>	Data Hold from Write Time	0	—	0	—	0	—	0	—	ns
t <sub>OW</sub> <sup>(3,4)</sup>	Output Active from End-of-Write	0	—	0	—	0	—	0	—	ns

3089 tbl 14

**AC Electrical Characteristics (Vcc = 5V ± 10%, All Temperature Ranges) (continued)**

Symbol	Parameter	6116SA45 6116LA45		6116SA55 <sup>(2)</sup> 6116LA55 <sup>(2)</sup>		6116SA70 <sup>(2)</sup> 6116LA70 <sup>(2)</sup>		6116SA90 <sup>(2)</sup> 6116LA90 <sup>(2)</sup>		6116SA120 <sup>(2)</sup> 6116LA120 <sup>(2)</sup>		6116SA150 <sup>(2)</sup> 6116LA150 <sup>(2)</sup>		Unit
		Min.	Max.	Min.	Max.	Min.	Max.	Min.	Max.	Min.	Max.	Min.	Max.	
<b>Write Cycle</b>														
t <sub>WC</sub>	Write Cycle Time	45	—	55	—	70	—	90	—	120	—	150	—	ns
t <sub>CW</sub>	Chip Select to End-of-Write	30	—	40	—	40	—	55	—	70	—	90	—	ns
t <sub>AW</sub>	Address Valid to End-of-Write	30	—	45	—	65	—	80	—	105	—	120	—	ns
t <sub>AS</sub>	Address Set-up Time	0	—	5	—	15	—	15	—	20	—	20	—	ns
t <sub>WP</sub>	Write Pulse Width	25	—	40	—	40	—	55	—	70	—	90	—	ns
t <sub>WR</sub>	Write Recovery Time	0	—	5	—	5	—	5	—	5	—	10	—	ns
t <sub>WHZ</sub> <sup>(3)</sup>	Write to Output in High-Z	—	25	—	30	—	35	—	40	—	40	—	40	ns
t <sub>DW</sub>	Data to Write Time Overlap	20	—	25	—	30	—	30	—	35	—	40	—	ns
t <sub>DH</sub> <sup>(4)</sup>	Data Hold from Write Time	0	—	5	—	5	—	5	—	5	—	10	—	ns
t <sub>OW</sub> <sup>(3,4)</sup>	Output Active from End-of-Write	0	—	0	—	0	—	0	—	0	—	0	—	ns

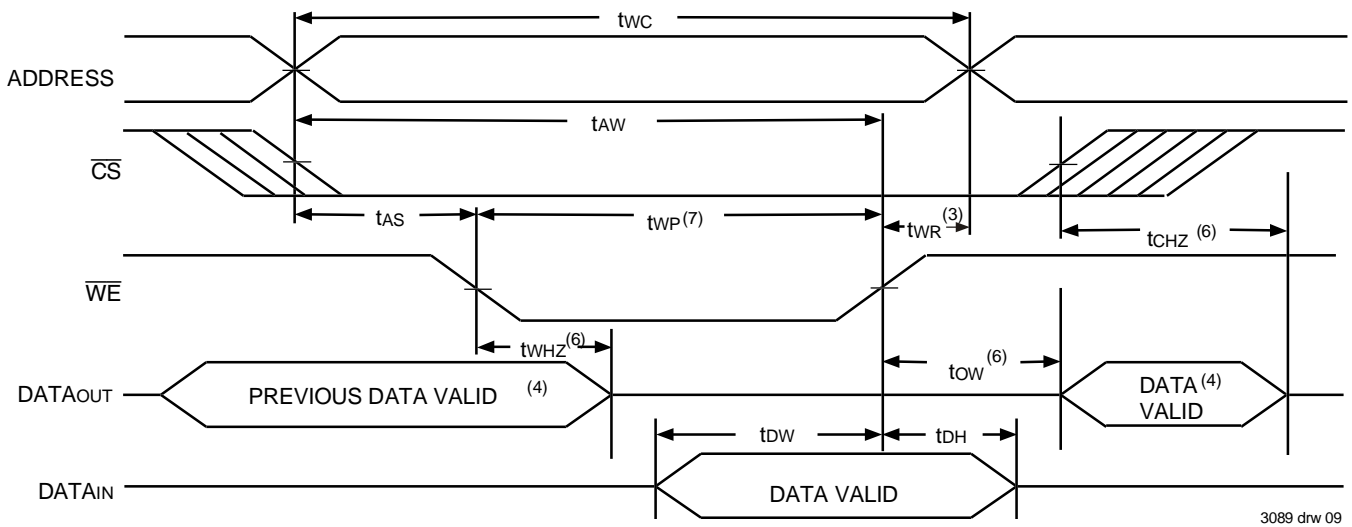
3089 tbl 15

**NOTES:**

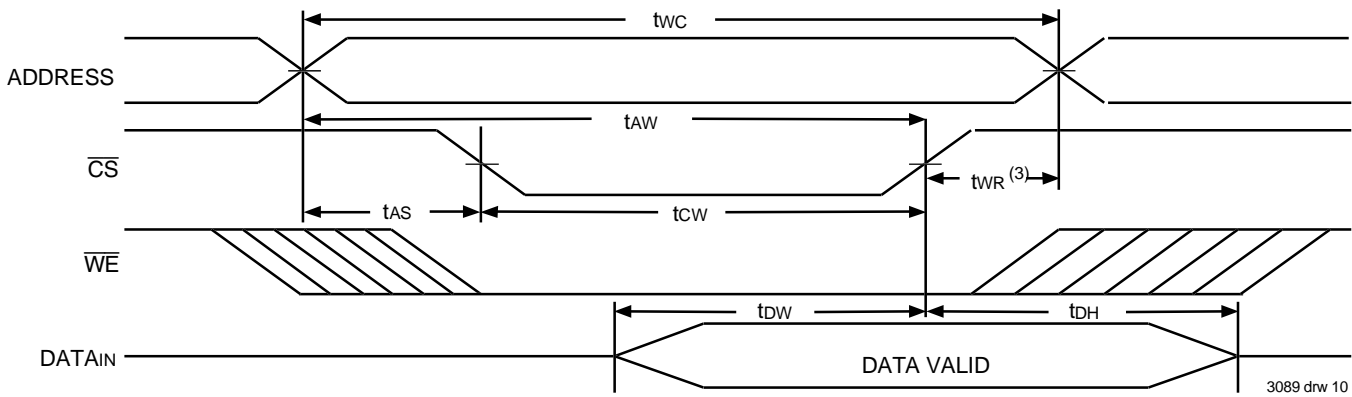
- 0°C to +70°C temperature range only.
- 55°C to +125°C temperature range only.
- This parameter guaranteed with AC Load (Figure 2) by device characterization, but is not production tested.
- The specification for t<sub>DH</sub> must be met by the device supplying write data to the RAM under all operation conditions. Although t<sub>DH</sub> and t<sub>OW</sub> values will vary over voltage and temperature, the actual t<sub>DH</sub> will always be smaller than the actual t<sub>OW</sub>.



### Timing Waveform of Write Cycle No. 1 ( $\overline{WE}$ Controlled Timing)<sup>(1,2,5,7)</sup>



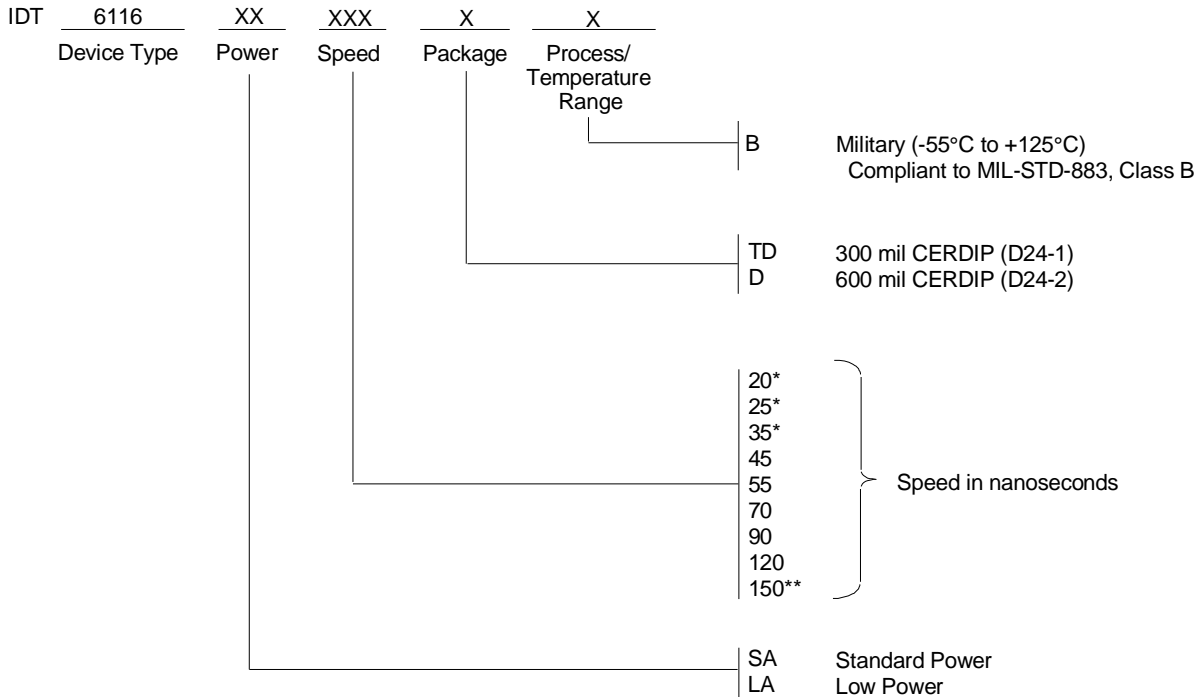
### Timing Waveform of Write Cycle No. 2 ( $\overline{CS}$ Controlled Timing)<sup>(1,2,3,5,7)</sup>



**NOTES:**

1.  $\overline{WE}$  or  $\overline{CS}$  must be HIGH during all address transitions.
2. A write occurs during the overlap of a LOW  $\overline{CS}$  and a LOW  $\overline{WE}$ .
3.  $t_{WR}$  is measured from the earlier of  $\overline{CS}$  or  $\overline{WE}$  going HIGH to the end of the write cycle.
4. During this period, the I/O pins are in the output state and the input signals must not be applied.
5. If the  $\overline{CS}$  LOW transition occurs simultaneously with or after the  $\overline{WE}$  LOW transition, the outputs remain in the high-impedance state.
6. Transition is measured  $\pm 500\text{mV}$  from steady state.
7.  $\overline{OE}$  is continuously HIGH. If  $\overline{OE}$  is LOW during a  $\overline{WE}$  controlled write cycle, the write pulse width must be the larger of  $t_{WP}$  or  $(t_{WHZ} + t_{DW})$  to allow the I/O drivers to turn off and data to be placed on the bus for the required  $t_{DW}$ . If  $\overline{OE}$  is HIGH during a  $\overline{WE}$  controlled write cycle, this requirement does not apply and the write pulse is the specified  $t_{WP}$ . For a  $\overline{CS}$  controlled write cycle,  $\overline{OE}$  may be LOW with no degradation to  $t_{CW}$ .

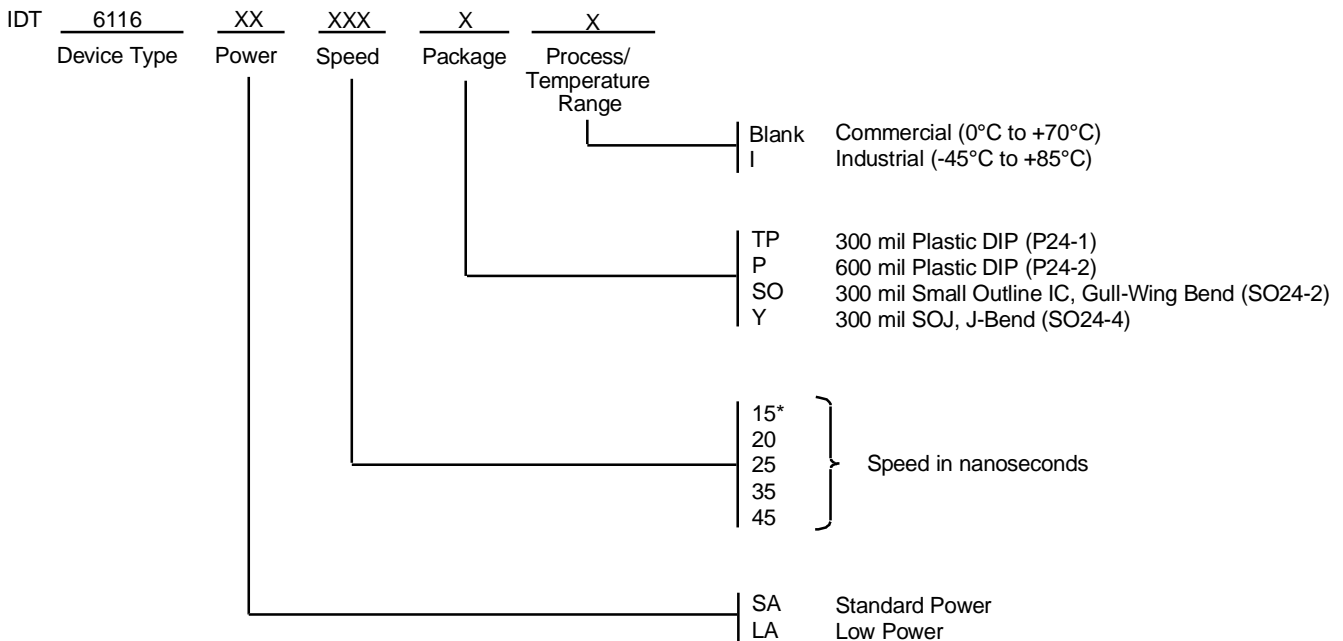
### Ordering Information — Military



\*Available in 300 mil packaging only.  
\*\*Available in 600 mil packaging only.

3089 drw 11

### Ordering Information — Commercial & Industrial



\*Available in commercial temperature range and standard power only.

3089 drw 12

## Datasheet Document History

1/7/00		Updated to new format
	Pg. 1, 3, 4, 10	Added Industrial Temperature range offerings
	Pg. 9, 10	Separated ordering information into military, commercial, and industrial temperature range offerings
	Pg. 11	Added Datasheet Document History
08/09/00		Not recommended for new designs
02/01/01		Removed "Not recommended for new designs"



**CORPORATE HEADQUARTERS**

2975 Stender Way  
Santa Clara, CA 95054

**for SALES:**

800-345-7015 or 408-727-6116  
fax:408-492-8674  
[www.idt.com](http://www.idt.com)

**for Tech Support:**

[sramhelp@idt.com](mailto:sramhelp@idt.com)  
800 544-7726, x4033

The IDT logo is a registered trademark of Integrated Device Technology, Inc.