



US00D337106S

United States Patent [19]

[11] Patent Number: Des. 337,106

Jasinski

[45] Date of Patent: ** Jul. 6, 1993

[54] AUXILIARY KEYPAD

[75] Inventor: Joseph E. Jasinski, Delray Beach, Fla.

[73] Assignee: International Business Machines Corp., Armonk, N.Y.

[**] Term: 14 Years

[21] Appl. No.: 609,328

[22] Filed: Nov. 5, 1990

[52] U.S. Cl. D14/115

[58] Field of Search D14/100, 115; D18/1, D18/7, 11, 12; 340/700, 706, 711, 712; 341/22, 23; 200/5 A, 5 R; 364/706-709.09; 235/145 A, 145 R; 400/472, 473, 485, 488

[56] References Cited

U.S. PATENT DOCUMENTS

D. 249,822	10/1978	Ohie et al.	D18/7
D. 255,125	5/1980	Hazama et al.	D18/7
D. 321,865	11/1991	Derocher	D14/100
4,229,726	10/1980	Deaton et al.	341/22 X

OTHER PUBLICATIONS

At Magazine . Feb. 1985 p. 149 . Trackhouse Keypad. Information Week . Jan. 28, 1985 . p. 65 . Compact low profile keyboard (right side).

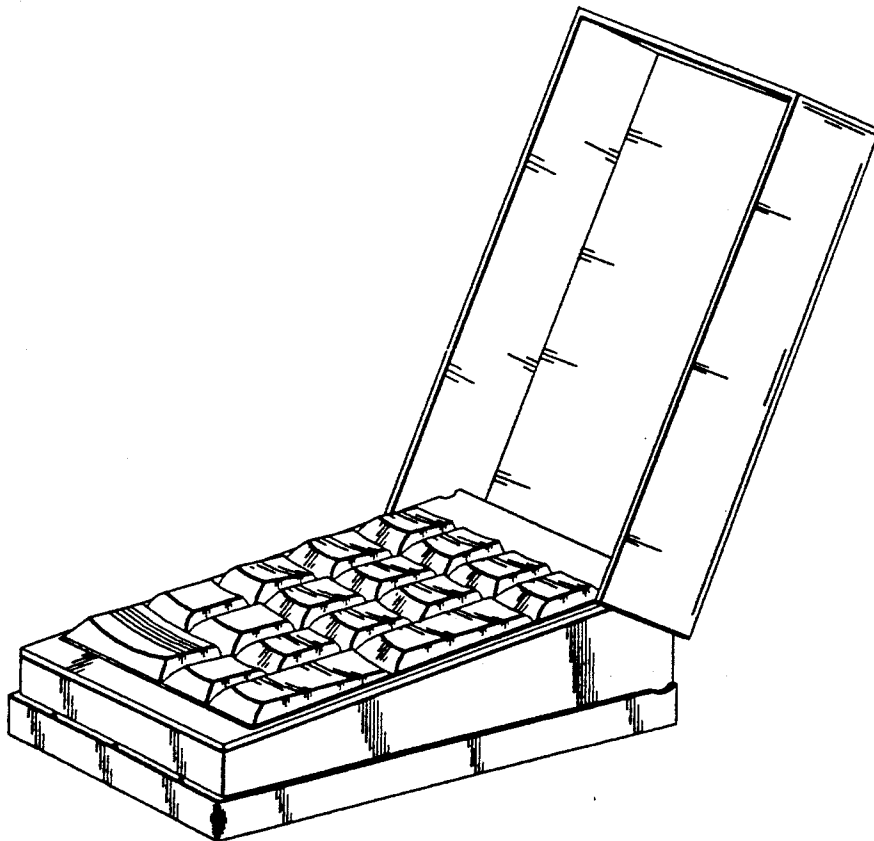
Primary Examiner—Wallace R. Burke
Assistant Examiner—Freda S. Nunn
Attorney, Agent, or Firm—Martin J. McKinley

[57] CLAIM

The ornamental design for an auxiliary keypad, as shown and described.

DESCRIPTION

FIG. 1 is a right front and top perspective view of the auxiliary keypad with the cover in the open position; FIG. 2 is a left rear and top perspective view thereof; FIG. 3 is a right front and top perspective view thereof with the cover in the closed position; FIG. 4 is a left rear and top perspective view thereof; FIG. 5 is a top plan view with the cover in the open position; FIG. 6 is a front elevational view thereof; FIG. 7 is a rear elevational view thereof; FIG. 8 is a right side elevational view thereof; FIG. 9 is a left side elevational view thereof; and, FIG. 10 is a bottom plan view thereof. FIGS. 5-10 are drawn on an enlarged scale.



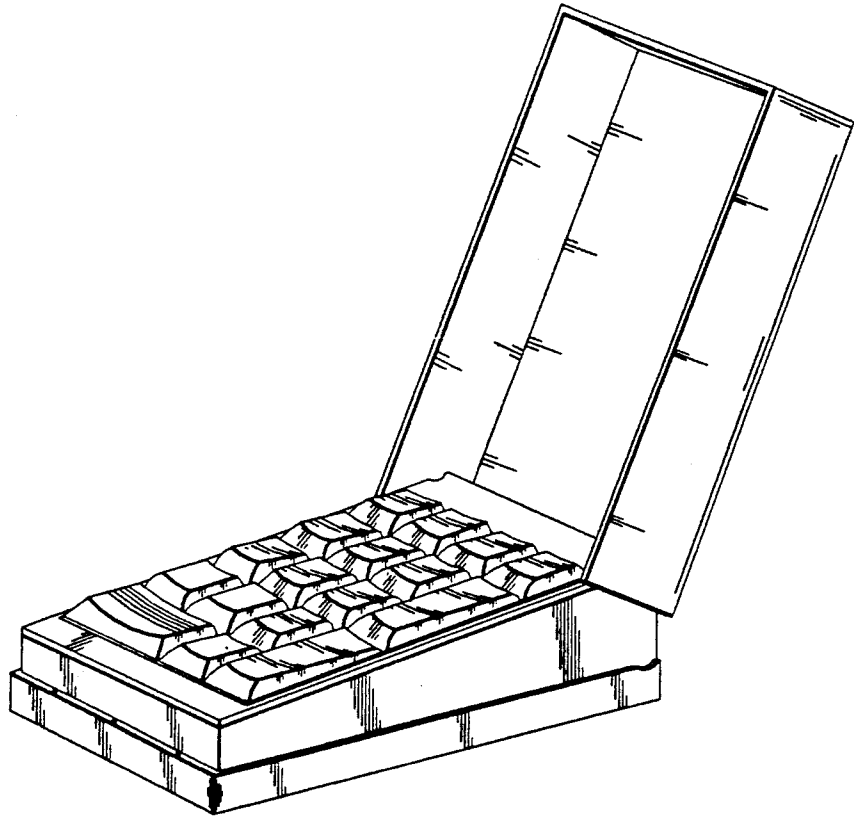


FIG. 1

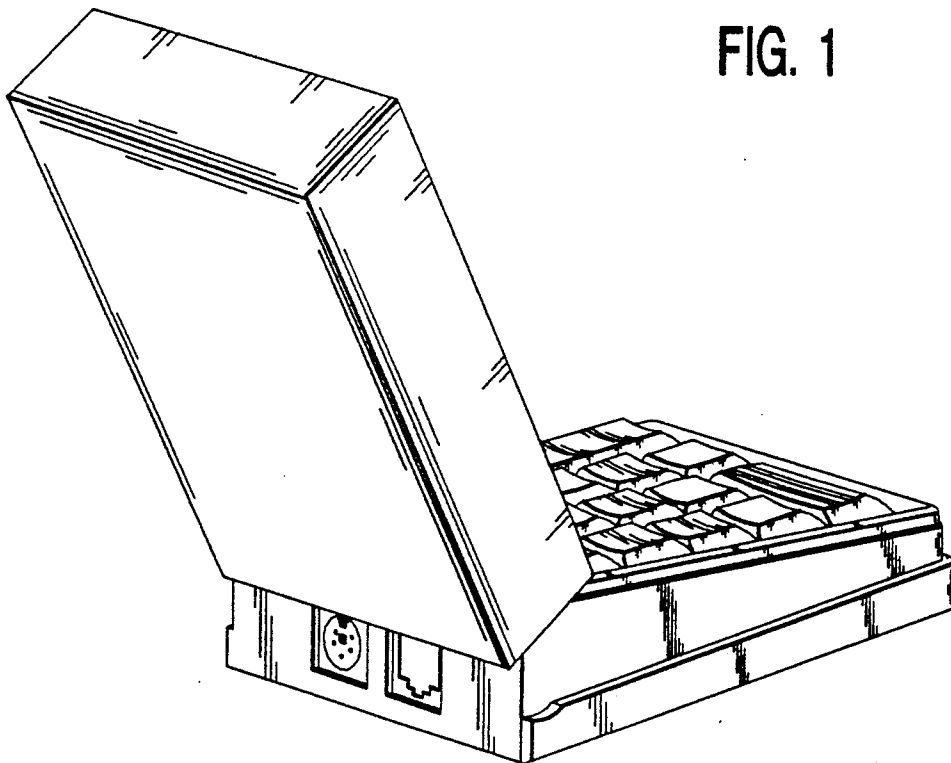


FIG. 2

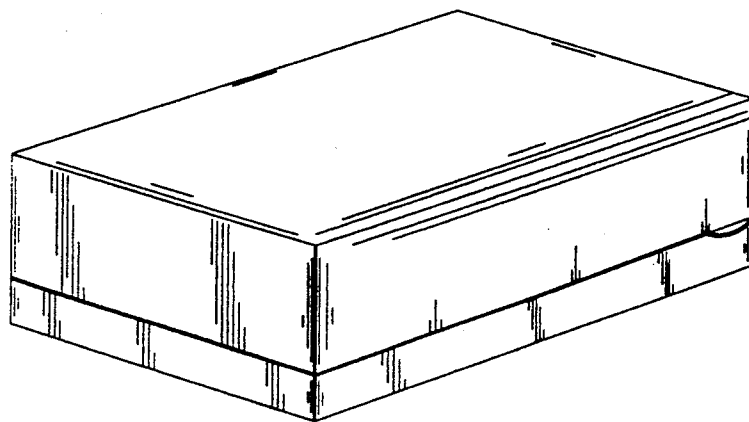


FIG. 3

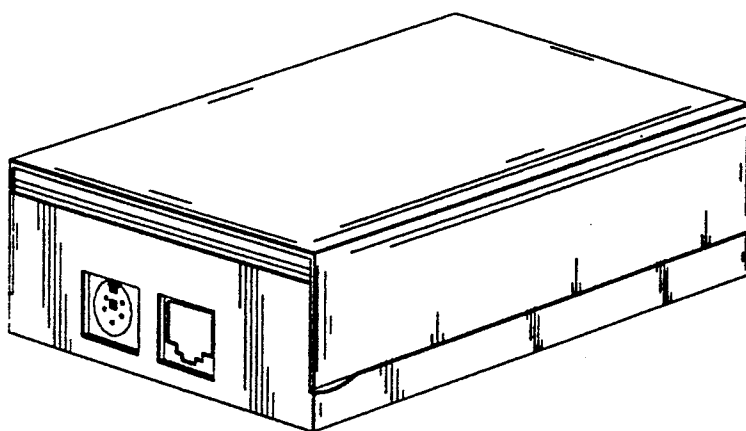


FIG. 4

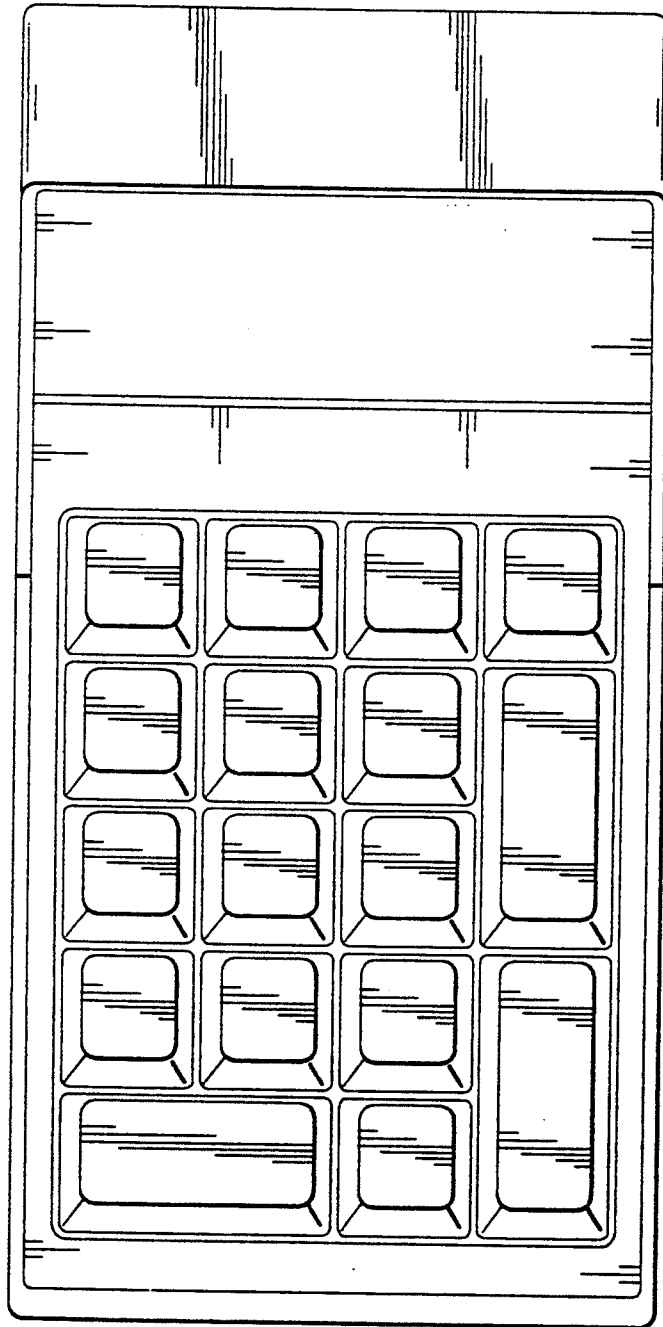


FIG. 5

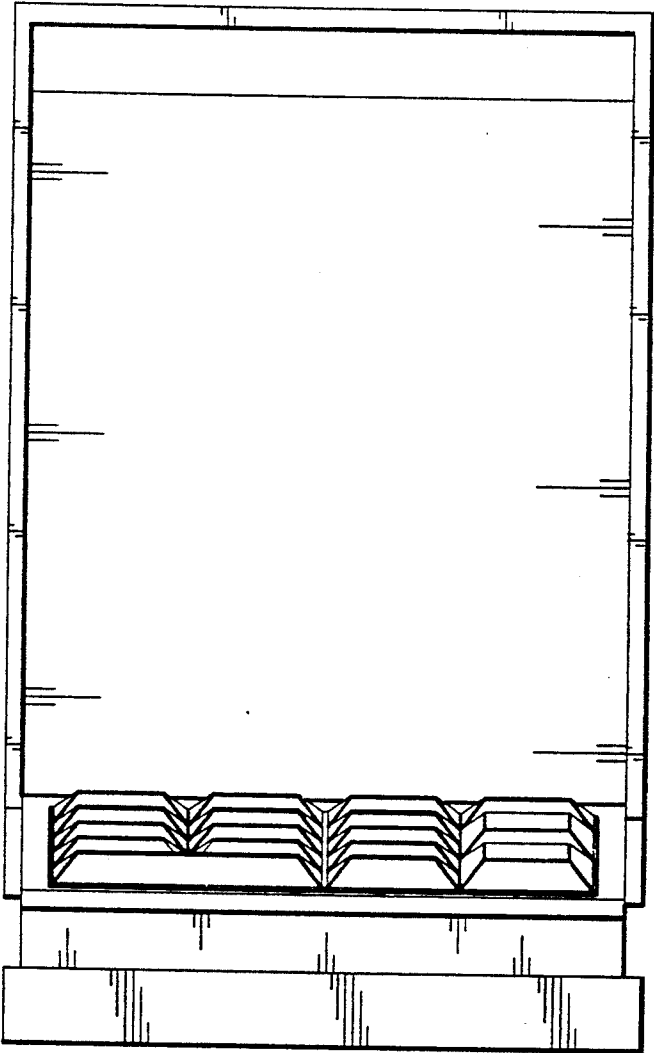


FIG. 6

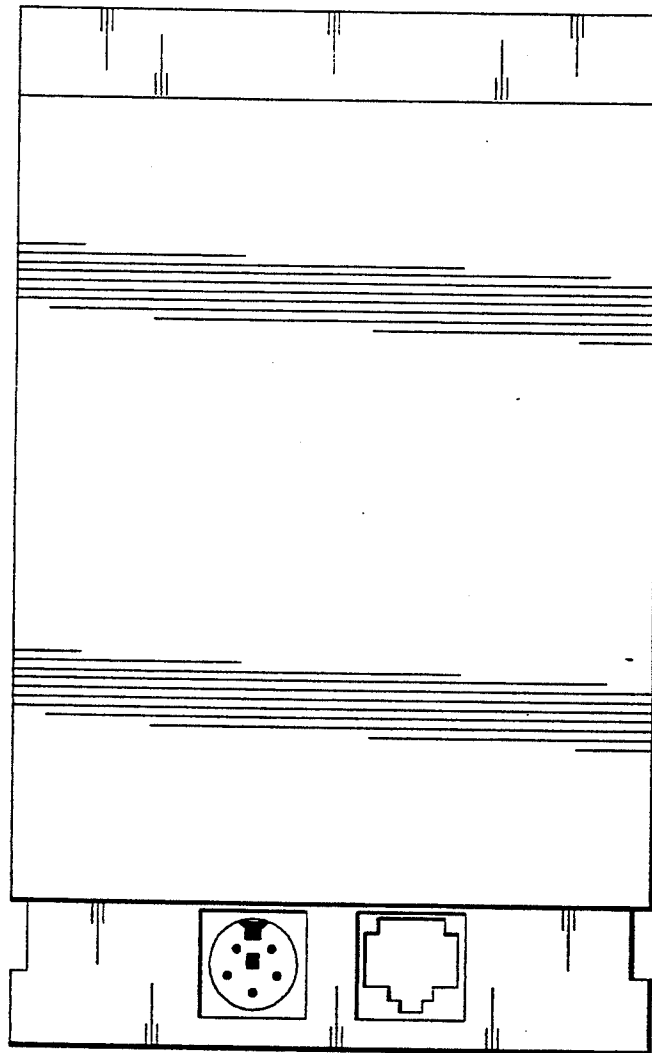


FIG. 7

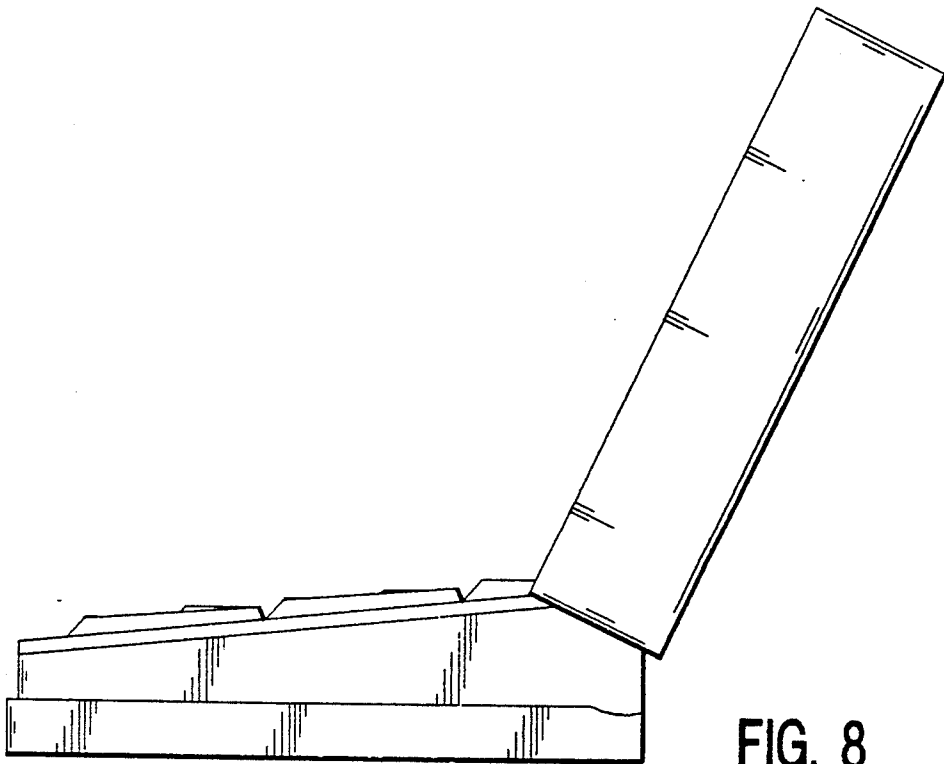


FIG. 8

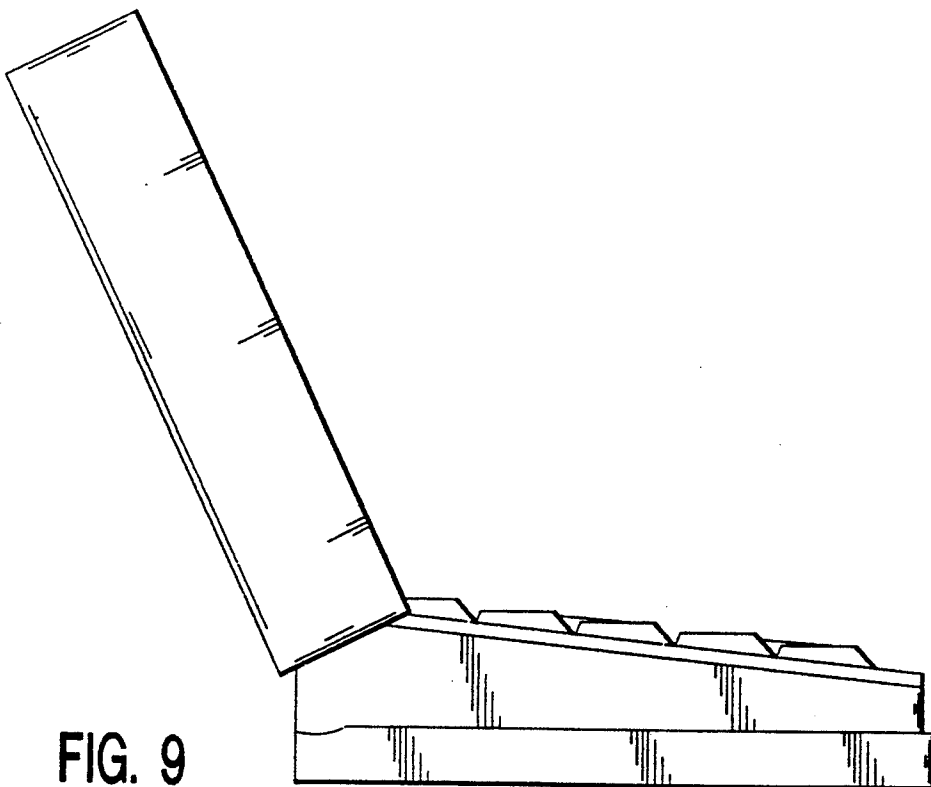


FIG. 9

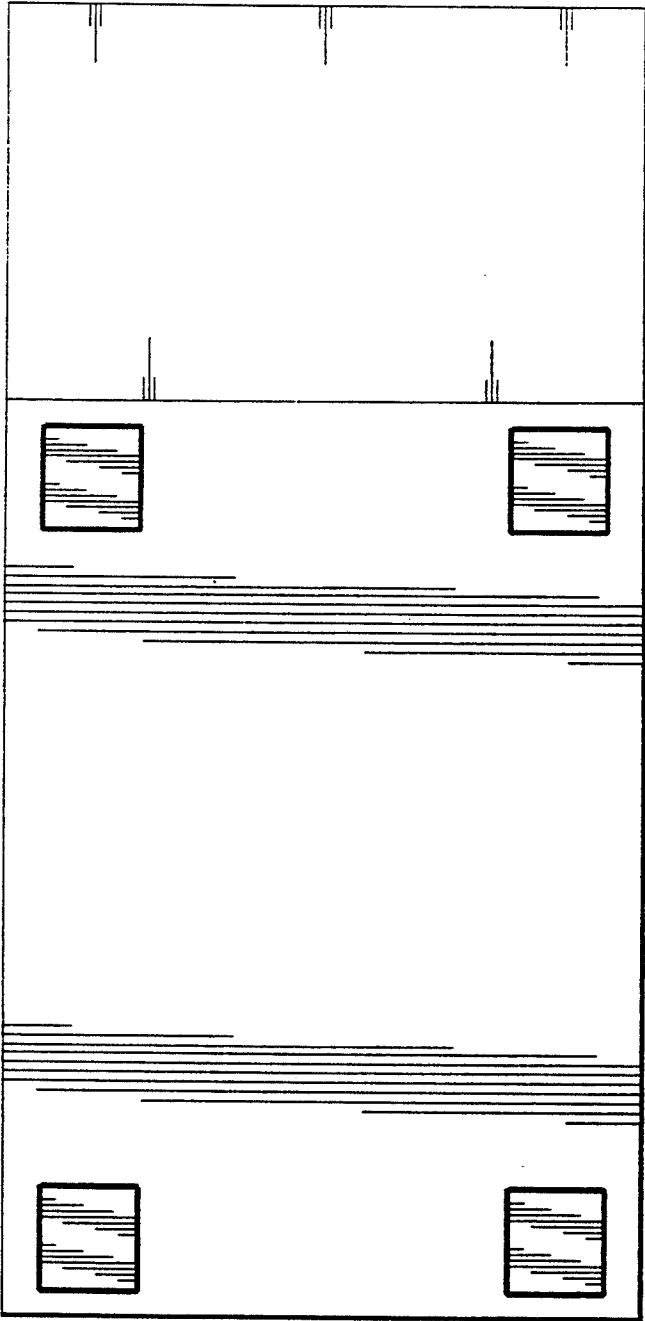


FIG. 10