

- [54] **FRONT PANEL FOR A COMPUTER**
- [75] Inventors: **Kevin K. Cooke**, Delray Beach; **Myron F. Davis**, Boca Raton; **John R. DeWitt**, Boca Raton; **John E. McCloskey**, Boca Raton, all of Fla.
- [73] Assignee: **International Business Machines Corporation**, Armonk, N.Y.
- [\*\*] Term: **14 Years**
- [21] Appl. No.: **425,881**
- [22] Filed: **Oct. 23, 1989**
- [52] U.S. Cl. .... **D14/115**
- [58] Field of Search ..... **D14/100-105, D14/108, 109, 114, 115; D13/162, 184, 199; 360/97-99, 132, 133; 361/331, 332, 380, 381, 390-395, 415, 426; 174/50, 52.1**

- D. 306,438 3/1990 Garmon et al. .... D14/115
- D. 307,422 4/1990 Ronzani ..... D14/115

**OTHER PUBLICATIONS**

Manual: IBM Personal System/2-Model 60 Quick Reference.  
 Excerpt: Introduction to Computer Science Book "Introduction Computer and their Use in Problem Solving" pp. 1-4.  
*Primary Examiner*—Wallace R. Burke  
*Assistant Examiner*—Freda S. Nunn  
*Attorney, Agent, or Firm*—George E. Grosser

[57] **CLAIM**

The ornamental design for a front panel for a computer, as shown and described.

**DESCRIPTION**

FIG. 1 is a front elevational view of a front panel for a computer showing our new design;  
 FIG. 2 is a top plan view thereof;  
 FIG. 3 is a bottom plan view thereof;  
 FIG. 4 is a right side elevational view thereof;  
 FIG. 5 is a left side elevational view thereof;  
 FIG. 6 is an enlarged perspective view thereof.

[56] **References Cited**

**U.S. PATENT DOCUMENTS**

- D. 280,326 8/1985 Jordan ..... D14/115
- D. 293,909 1/1987 Davis ..... D14/100
- D. 297,893 10/1988 Garmon ..... D6/494
- D. 298,252 3/1987 Sapper ..... D14/115

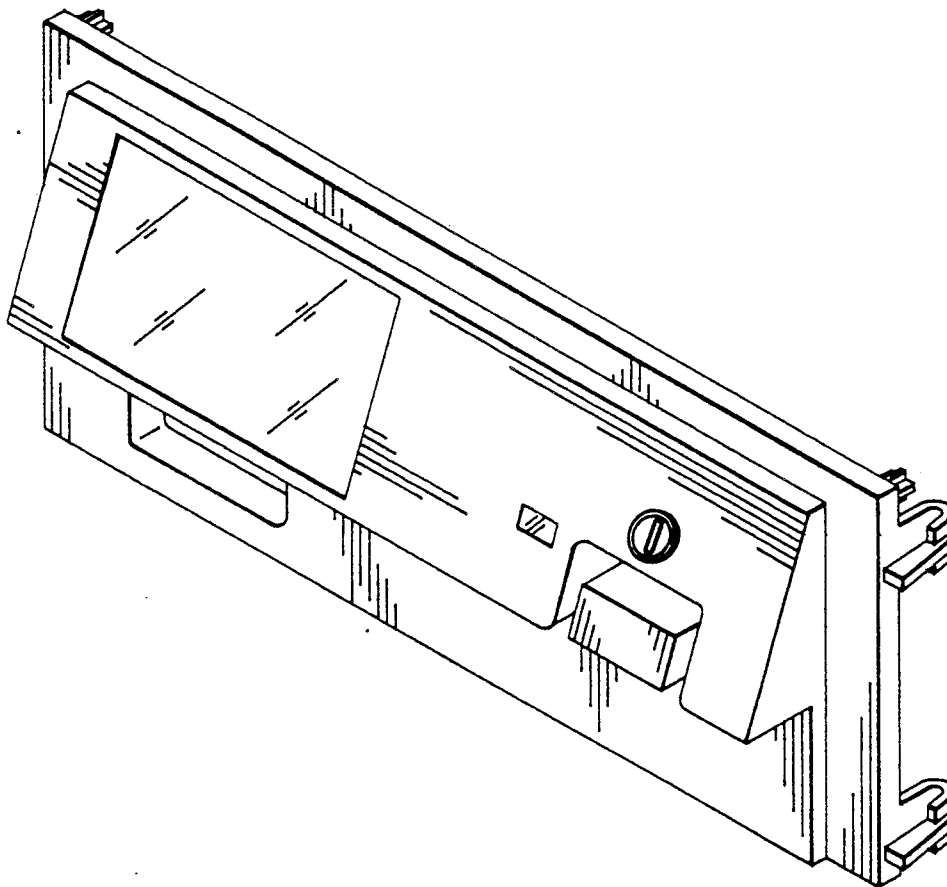


FIG. 1

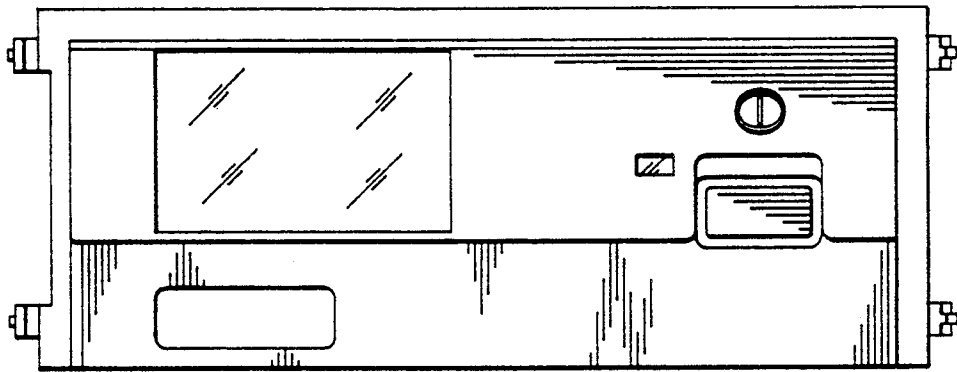


FIG. 2

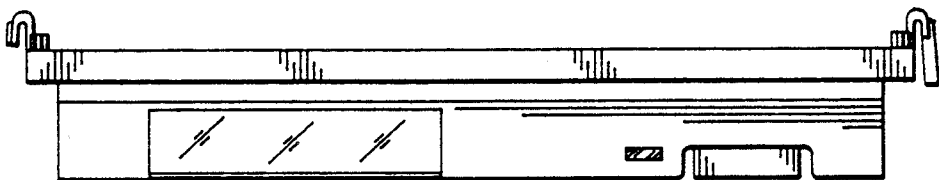


FIG. 3

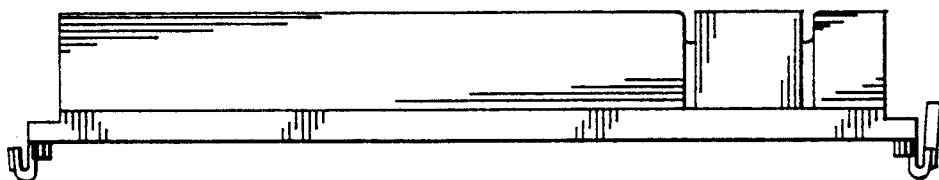


FIG. 4

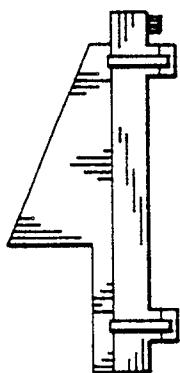


FIG. 5

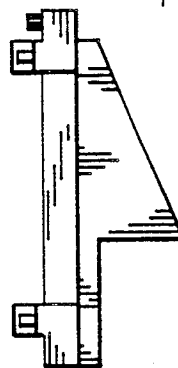


FIG. 6

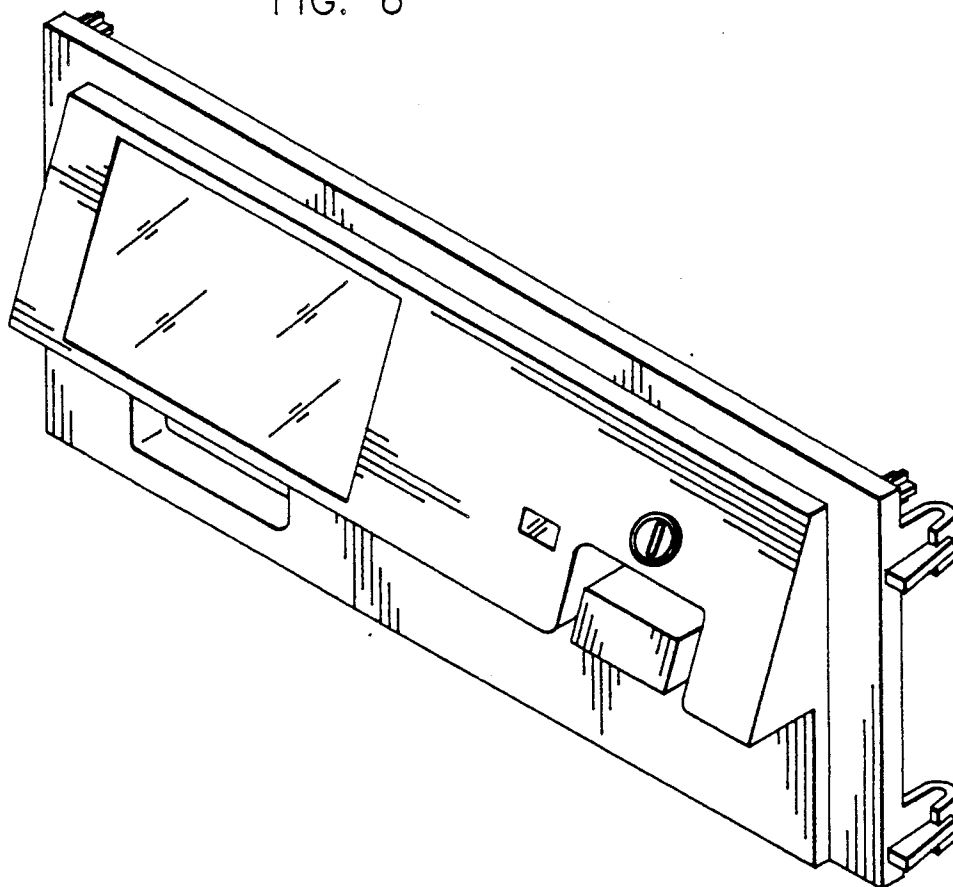


FIG. 4

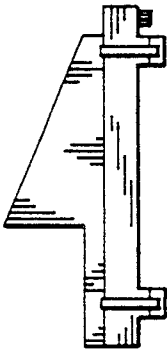


FIG. 5

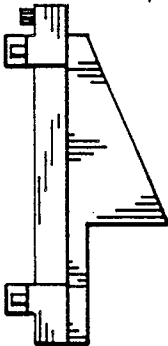


FIG. 6

