

United States Patent [19]

Alfonso et al.

[11] Patent Number: Des. 302,152

[45] Date of Patent: ** Jul. 11, 1989

[54] COMPUTER DISPLAY

[75] Inventors: Pedro M. Alfonso, Delray Beach; Samuel T. Dusi, Boynton Beach; Hunter T. Foy; Ted F. Kelley, Jr., both of Boca Raton, all of Fla.; Richard F. Sapper, Baden Baden, Fed. Rep. of Germany

[73] Assignee: International Business Machines Corporation, Armonk, N.Y.

[**] Term: 14 Years

[21] Appl. No.: 26,291

[22] Filed: Mar. 23, 1987

[52] U.S. Cl. D14/113

[58] Field of Search D14/100-117; D18/1, 2, 5, 6, 7, 11, 12; 235/145 A, 145 R; 340/700, 706, 711, 712; 400/677, 682, 472, 489, 492, 496, 676; 364/130, 144, 143, 145, 146, 189, 200, 706, 707, 708, 709, 710; 358/249, 254; 341/22, 23; 200/5 A

[56] References Cited

U.S. PATENT DOCUMENTS

D. 278,911 5/1985 Ohnuma et al. D14/113

D. 282,846 3/1986 Tsuburaya et al. D14/113
D. 284,379 6/1986 Fischer D14/113
D. 295,414 4/1988 Yokoi et al. D14/113

OTHER PUBLICATIONS

Design, Jan. 1981, p. 37—the Nexos 2200 Visual Display, (top of page).
Info World, Dec. 19, 1983, vol. 5, No. 51, p. 17—Visual Display.

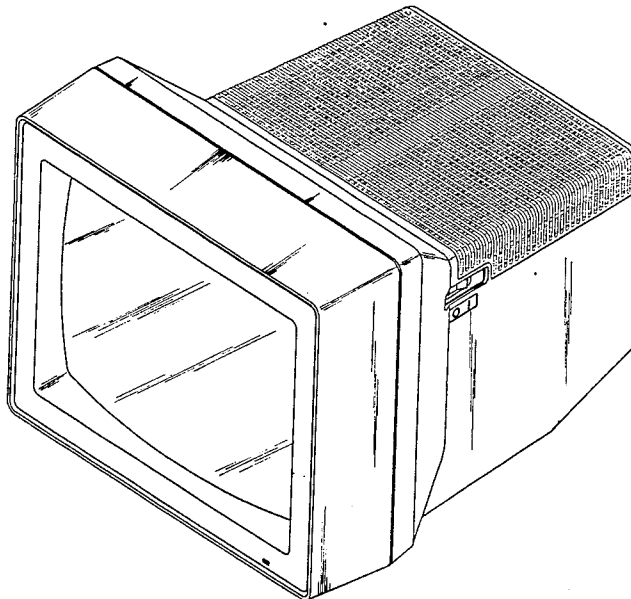
Primary Examiner—Susan J. Lucas
Assistant Examiner—Freda S. Nunn
Attorney, Agent, or Firm—H. H. Sweeney, Jr.; M. H. Klitzman

[57] CLAIM

The ornamental design for a computer display, as shown and described.

DESCRIPTION

FIG. 1 is a perspective view of the computer display showing our new design;
FIG. 2 is a front elevational view thereof;
FIG. 3 is a rear elevational view thereof;
FIG. 4 is a right side elevational view thereof;
FIG. 5 is a left side elevational view thereof;
FIG. 6 is a top plan view thereof;
FIG. 7 is a bottom plan view thereof;



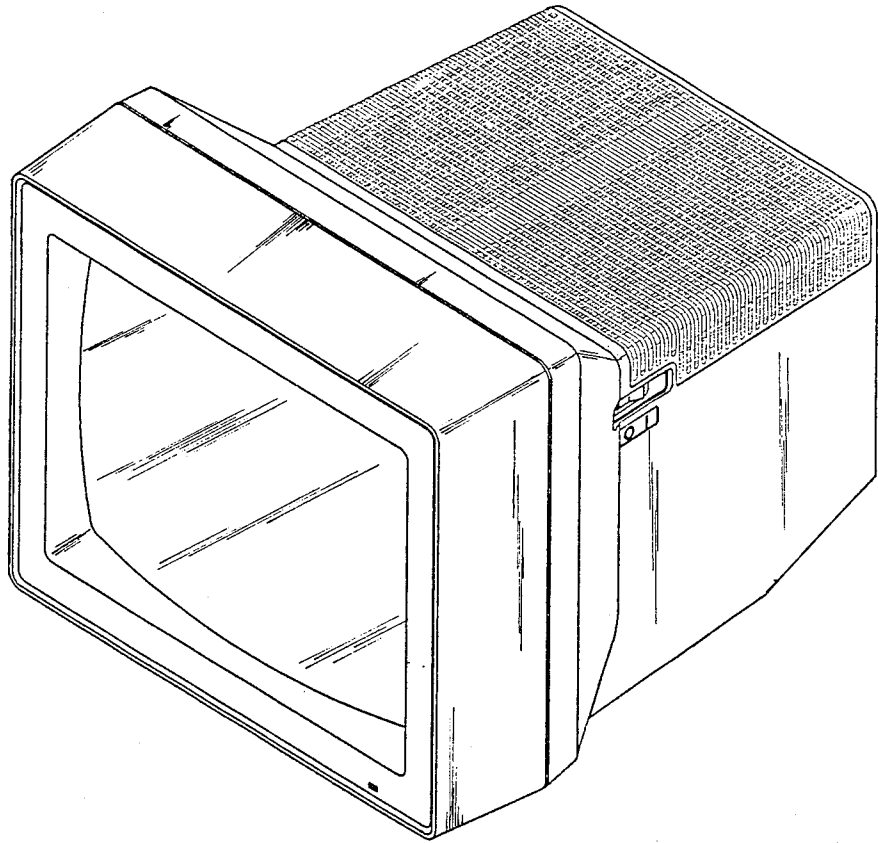


FIG. 1

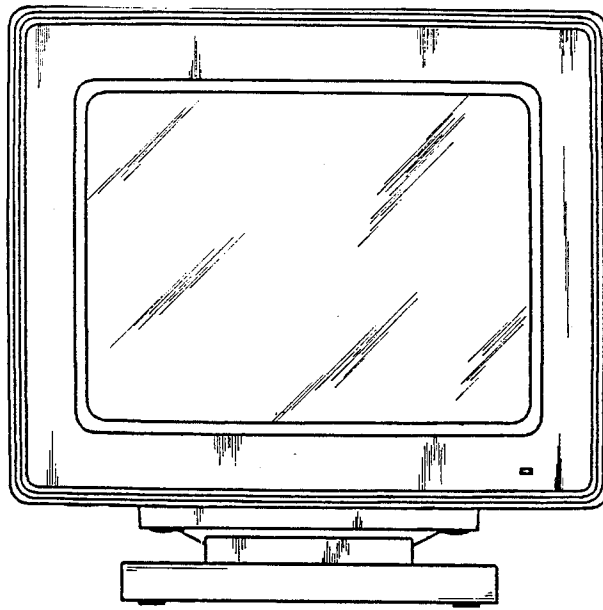


FIG. 2

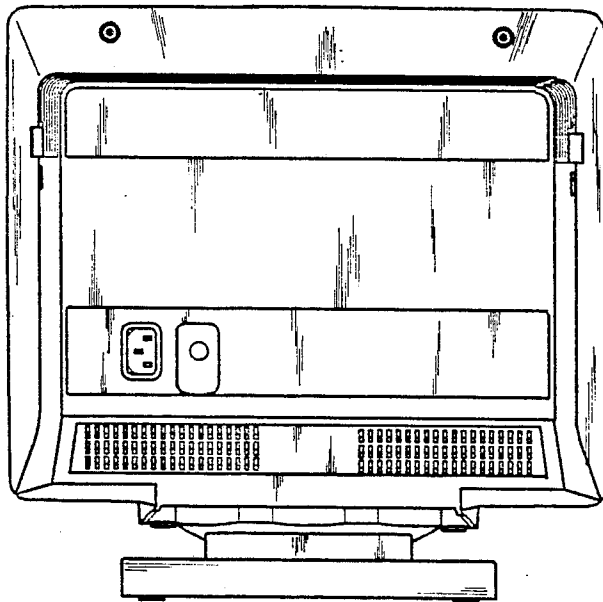


FIG. 3

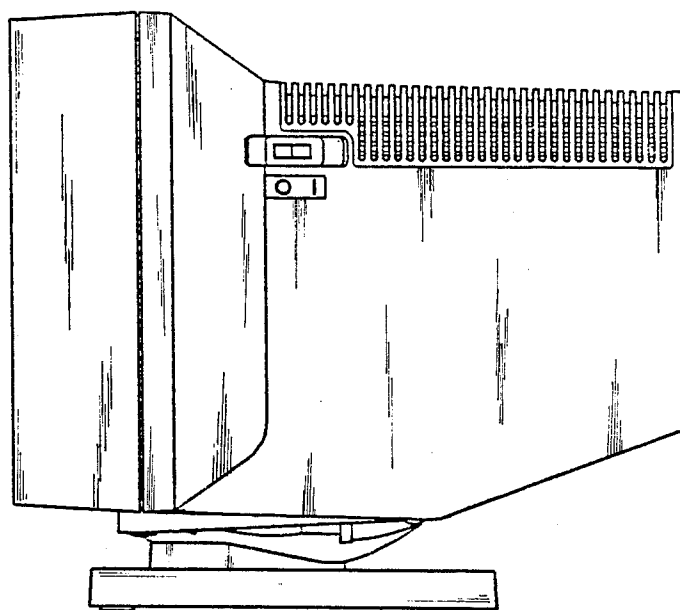


FIG. 4

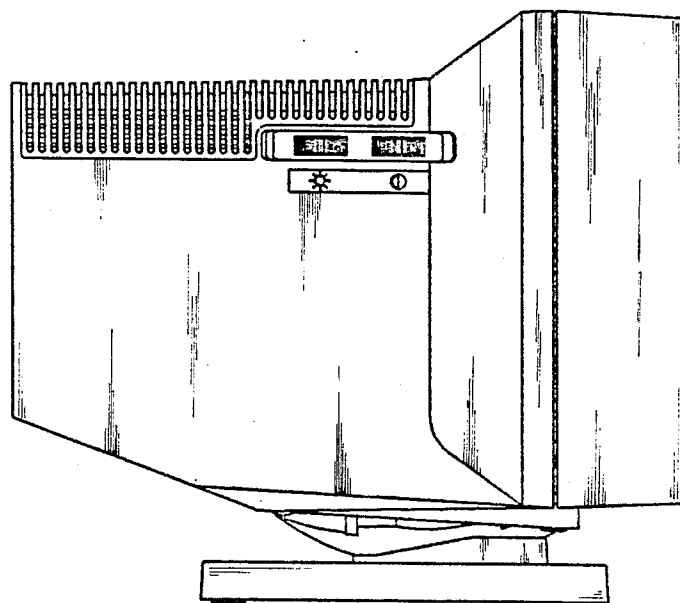


FIG. 5

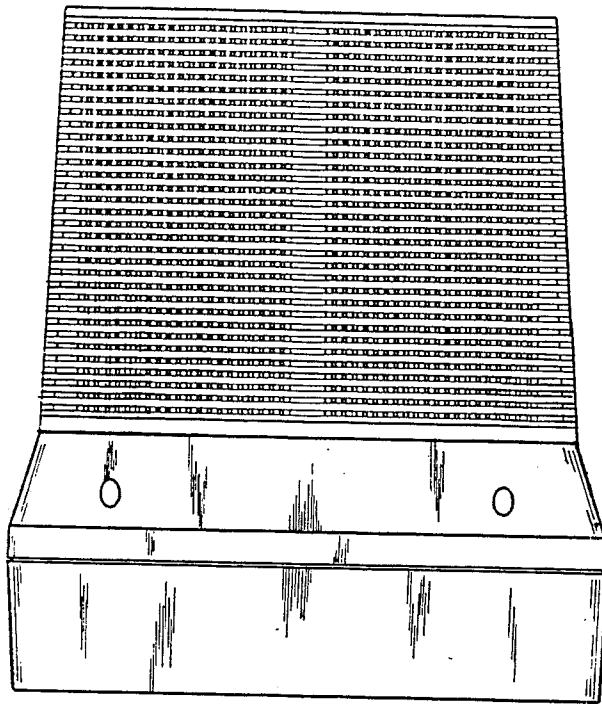


FIG. 6

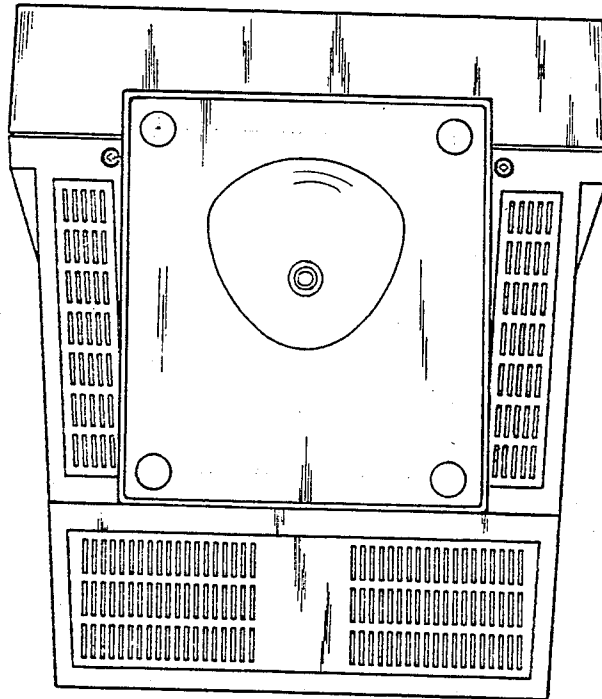


FIG. 7