

KTM-16AT/4 and /6

Memory Expansion Card

for 286 and 386SX Computers

DESCRIPTION:

Kingston Technology's KTM-16AT Memory Expansion Board supports up to 16MB of RAM (Random Access Memory). The KTM-16AT can be plugged into any 16-bit expansion slot in your 286 or 386SX computer. The board has four memory expansion sockets, divided into two banks (Bank 1 and Bank 2) as shown in the illustration below. You can install SIMMs (Single In-line Memory Modules) in either or both of the banks. However, both SIMMs installed within a bank must be the same capacity.

FEATURES:

- √ Half size PC card
- √ Extended memory up to 16MB
- √ Expanded memory up to 16MB
- √ Includes LIM 4.0 Memory Management Software
- √ Supports memory backfill up to 640KB
- √ 16-bit memory bus
- √ Software configurable for either extended or expanded memory
- √ 0 wait states on memory reads
- √ 1 wait state on memory writes
- √ Up to two KTM-16ATs can be installed per system
- √ Four memory expansion sockets supporting either 1Mx9 or 4Mx9 SIMMs

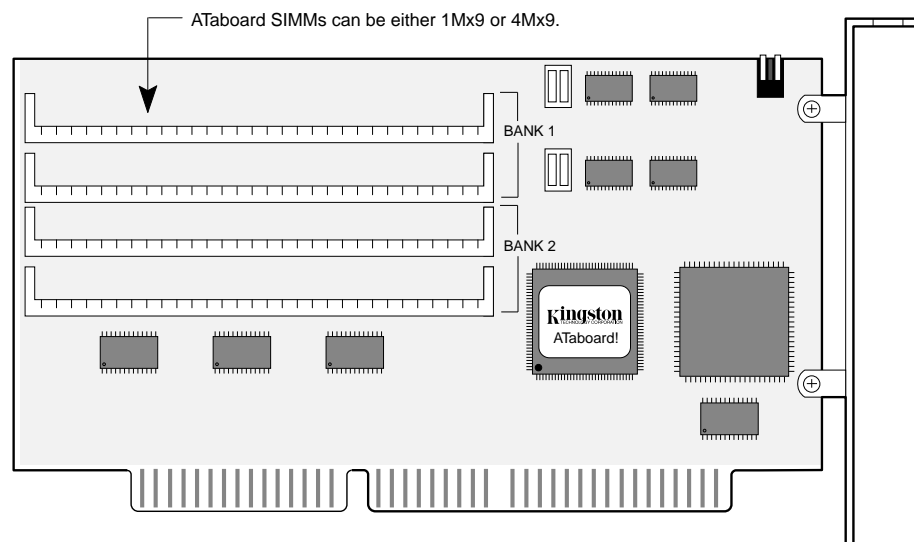


Figure 1: KTM-16AT/4 and /6