



About the SD186ES/SD186EM Demonstration Board

The AMD® SD186ES/SD186EM Demonstration Board is designed as an exceptionally small, low-cost product for demonstration of the AMD Am186™ES and Am186™EM microcontrollers. See page ix for a block diagram of the board.

The SD186ES/SD186EM demonstration board is a stand-alone evaluation platform for the Am186ES or Am186EM microcontroller. The Am186ES and Am186EM microcontrollers integrate peripherals such as 12 chip-select controllers, serial controllers, 32 programmable I/Os, three timers, an interrupt controller, and watchdog timer to increase system functionality while reducing overall cost. The memory controller supports a glueless connection to SRAM, EPROM, Flash memory, and pseudo-static RAM. The Am186ES and Am186EM microcontrollers also feature an innovative bus design that frees the processor to run at nearly twice the speed of standard 80C186 processors while using commodity memory devices.

The SD186ES/SD186EM demonstration board is designed with a 104-pin Am186 expansion interface that provides access to the Am186ES and Am186EM microcontroller signals. The Am186 expansion interface facilitates prototyping with external devices by using the SD186ES/SD186EM demonstration board as the minimal system core of a design.

The SD186ES/SD186EM demonstration board highlights the Am186ES and Am186EM microcontrollers' serial ports, glueless interface to SRAM and Flash memory, and the expansion interface to peripheral attachments. A complete description of the board can be found in Chapter 2, "Demonstration Board Functional Description".

Theory of Operation

The SD186ES/SD186EM demonstration board demonstrates the basic processor functionality and features of the Am186ES and Am186EM microcontrollers, and the simplicity of their system design. As a stand-alone platform, the board enables you to test the Am186ES and Am186EM microcontrollers' performance and functionality. The minimal number of components on the board exhibits the integration present in the processor.

Demonstration Board Features

The SD186ES/SD186EM demonstration board provides the following features:

- Am186ES or Am186EM 40-MHz microcontroller
- E86™ family boot monitor (E86MON™) board-resident utility

Information on invoking and using the E86MON software is provided in the *E86MON™ Software User's Manual*.

- 256 Kbyte SRAM
- 256 Kbyte Am29F010-70 Flash memory
- Am186 104-pin expansion interface
- Two RS-232 serial ports with DB-9 connectors

Please note that the Am186EM microcontroller provides one asynchronous serial port. Thus, when the board is populated with the Am186EM microcontroller, only one serial port is featured.

- Activity LED indicators for PIO signals
- Power-on LED indicator
- Reset circuitry

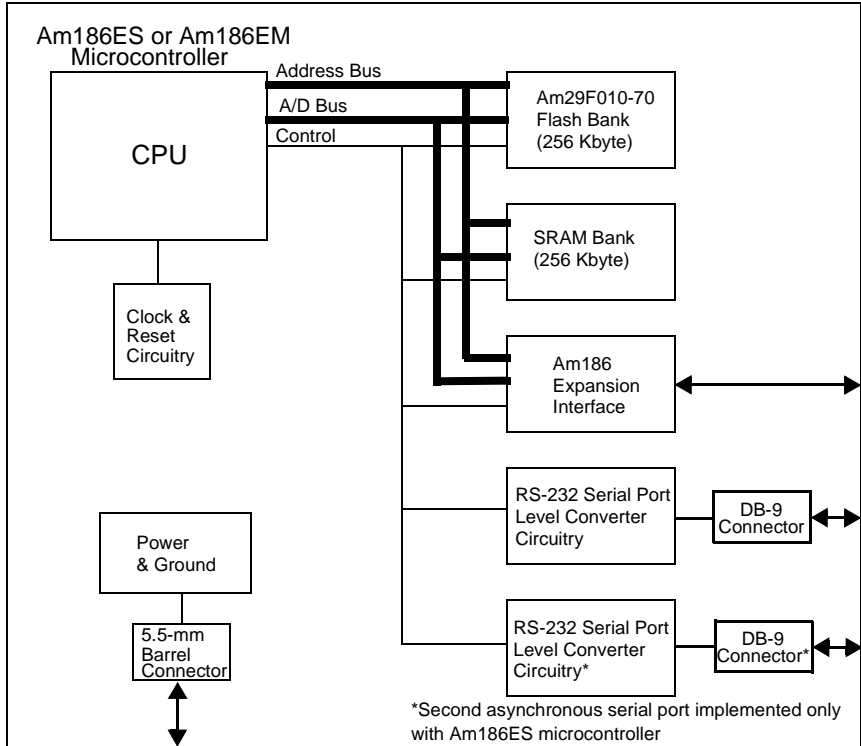


Figure 0-1. SD186ES/SD186EM Demonstration Board Block Diagram

SD186ES/SD186EM Demonstration Board Documentation

The *SD186ES/SD186EM Demonstration Board User's Manual* provides information on the design and function of the SD186ES/SD186EM demonstration board. Detailed instructions for using the E86MON software are provided in the *E86MON™ Software User's Manual* included in your kit. The demonstration board is shipped with the E86MON software installed in the on-board Flash memory.

About This Manual

Chapter 1, “Quick Start” provides implementation and installation information for the demonstration board and instructions for invoking the E86MON software. Detailed information on using the E86MON software is provided in the *E86MON™ Software User's Manual* included in your kit.

Chapter 2, “Demonstration Board Functional Description” contains descriptions of the basic sections of the demonstration board: layout, processor, Flash memory, SRAM, serial ports, power and signal LED indicators, clock and reset logic, expansion interface, and power-supply circuitry.

Chapter 3, “Product Support” provides information on reaching and using the AMD Corporate Applications technical support services, product information available through AMD's World Wide Web and FTP sites, and support tools for the embedded E86 family.

Appendix A, “Layout Diagram, Schematics, and Board Bill of Materials” contains a board layout drawing along with schematics and a Bill of Materials (BOM) for the SD186ES/SD186EM demonstration board.

Suggested Reference Material

For information on ordering the literature listed below, see page 3-4.

- *Am186™EM and Am188™EM Microcontrollers Data Sheet*
Advan™ES and Am188™ES Microcontrollers Data Sheet
Advanced Micro Devices, order number 20002
- *Am186™EM and AM188™EM Microcontrollers User's Manual*
Advanced Micro Devices, order number 19713
- *Am186™ES and AM18™ES Microcontrollers User's Manual*
Advanced Micro Devices, order number 21096
- *Am186™ and Am188™ Family Instruction Set Manual*
Advanced Micro Devices, order number 21267
- *FusionE86SM Catalog*
Advanced Micro Devices, order number 19255
- For current application notes and technical bulletins, see our World Wide Web page at <http://www.amd.com>.

Documentation Conventions

The Advanced Micro Devices *SD186ES/SD186EM Demonstration Board User's Manual* uses the conventions shown in Table 0-1 (unless otherwise noted). These same conventions are used in all E86 family support product manuals.

Table 0-1. Notational Conventions

Symbol	Usage
Boldface	Indicates that characters must be entered exactly as shown, except that the alphabetic case is only significant when indicated.
Typewriter face	Indicates computer text input or output in an example or listing.

Chapter 1



Quick Start

This chapter provides information that will help you quickly set up and start using the SD186ES/SD186EM demonstration board.

The SD186ES/SD186EM demonstration board is supported by the E86MON software. The E86MON software enables you to load, run, and debug programs on the SD186ES/SD186EM demonstration board. For detailed information on using the E86MON software, refer to the *E86MON™ Software User's Manual* included in your kit.

For information on how to:

- Connect the SD186ES/SD186EM demonstration board to a PC, see page 1-2
- Invoke the E86MON software, see page 1-4
- Troubleshoot installation problems, see page 1-5
- Locate related sources of information, see page 1-6

Connecting to a PC

Follow the steps below to connect the SD186ES/SD186EM demonstration board to your PC.

Installation Requirements

The items listed below are necessary to install and run the SD186ES/SD186EM demonstration board:

- PC with an available COM port
- Terminal emulation software (such as Microsoft Windows® Terminal or ProComm Plus) that supports ASCII file transfers, software flow control (Xon/Xoff), and *send break* capability
- Power source for universal power supply

Board Installation

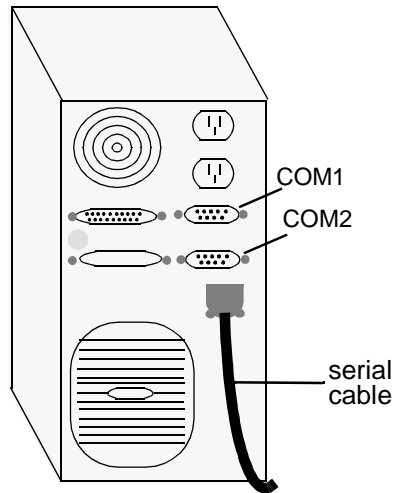


CAUTION: As with all computer equipment, the SD186ES/SD186EM demonstration board may be damaged by electrostatic discharge (ESD). Please take proper ESD precautions when handling any board.

1.1

1. Remove the board from the shipping carton. Visually inspect the board to verify that it was not damaged during shipment.

2. Connect the demonstration board's DB-9 serial port (either P1 or P0 on the ES version of the board; P1 on the EM version of the board) to an available COM port. Use the serial cable included in the SD186ES/SD186EM demonstration board kit and note that a DB-9 to DB-25 serial connector adapter is provided if your host system requires it. The pinout of the demonstration board's serial connector is shown on page 2-9.



DANGER: Make sure the power supply is *not* plugged into an electrical outlet before connecting it to the SD186ES/SD186EM demonstration board

3. Connect the power supply to the barrel connector on the SD186ES/SD186EM demonstration board.
4. Apply power to the board by connecting the power supply to an electrical outlet. Once the board is powered up, the LEDs (CR3-CR10) should flash in an oscillating pattern.



CAUTION: If using your own power supply, ensure that it is a 5-V supply. Using a 9-V supply will permanently damage the board.

5. Invoke the terminal emulation program at 19200 baud, no parity, 8 data bits, and 1 stop bit; enable the software flow control (Xon/Xoff), if supported.
6. Reset the board by depressing and releasing the RESET switch (see location in Figure 2 on page 2-3). The LEDs on the board (CR3-CR10) will again flash in an oscillating pattern for three seconds, as they did upon power up.

During the three-second period while the LEDs are oscillating, type an **a** in the terminal window to ensure that the E86MON software uses the correct baud rate. When the E86MON software receives an **a**, it adjusts its baud rate (if necessary) and displays the welcome message and prompt.

If you type a character other than an **a**, or type no character at all, the E86MON software still displays the welcome message and prompt, but may be using an incorrect baud rate. Depressing and releasing the RESET switch gives you another opportunity to type an **a**.

7. To display the version of the monitor and the commands available, type **?** and press Enter.

For detailed information about using the E86MON software, refer to the *E86MON™ Software User's Manual* included in your kit.

Table 1-1. Installation Troubleshooting

Problem	Solution
Nothing happens when pushing the RESET button.	Sometimes it is difficult to make a good connection when pushing the small RESET button. If all else fails, remove the power supply from the AC electrical outlet and disconnect and reconnect the power supply. The LEDs will flash in an oscillating pattern when the reset is successful.
The computer does not respond with the E86MON software prompt.	Reset the board by pressing the RESET switch and typing an a while the LEDs are flashing in an oscillating pattern. If this does not work, verify the power, check the cables, etc.
After typing a during reset, the terminal emulation software displays unreadable characters.	Check the baud rate setting for the terminal emulation software. It should be set to 19200. Also check the word length (8), stop bits (1), parity (N), and turn off any hardware flow control.
After a processor reset, the LEDs do not flash in the expected oscillating pattern.	Check that the power LED is on and the correct voltage is supplied to the board. Ensure that the polarity of the power connector is correct.
The terminal emulation program locks up the software or PC.	Check the COM port connection with the target board. Make sure that the same COM port is selected in the terminal emulation software. In some PCs if the correct COM port is not specified, the software will fail to function—it will lock in a continuous loop waiting for an answer from the incorrect serial port.
The power LED does not turn on with power.	Immediately disconnect the power supply. Ensure that the polarity of the power connector is correct. This is a very serious failure of the hardware. If the power source is connected incorrectly, the board will be permanently damaged.
There is a problem you cannot resolve.	Contact the AMD Corporate Applications technical support services. (See Chapter 3, “Product Support” for phone numbers and more information.)

1-1

For More Information...

If you need more information about:

- SD186ES/SD186EM demonstration board hardware,
see Chapter 2, “Demonstration Board Functional Description”
- E86MON software,
see the *E86MON™ Software User’s Manual*
- Problems with the board or the E86MON software,
see Chapter 3, “Product Support”
- SD186ES/SD186EM demonstration board layout and schematics,
see Appendix A, “Layout Diagram, Schematics, and Board Bill of Materials”
- the Am186ES microcontroller
see the *Am186™ES and Am188™ES Microcontrollers Data Sheet*
- the Am186EM microcontroller,
see the *Am186™EM and Am188™EM Microcontrollers Data Sheet*

Chapter 2



Demonstration Board Functional Description

The SD186ES/SD186EM demonstration board provides a completely stand-alone microcontroller-based evaluation platform in a low-cost, exceptionally small form-factor product. The SD186ES/SD186EM demonstration board was designed to meet the needs of customers working with the Am186ES and Am186EM microcontrollers.

Read the following sections to learn more about the SD186ES/SD186EM demonstration board hardware:

- “Layout and Placement” on page 2-2
- “Am186ES and Am186EM Microcontrollers Implementation” on page 2-4
- “ROM Space” on page 2-7
- “SRAM” on page 2-7
- “RS-232 Serial Ports” on page 2-8
- “Clock and Reset Logic” on page 2-10
- “Am186 Expansion Interface” on page 2-10
- “PIO Activity LED Indicators” on page 2-13
- “Power Supply” on page 2-14

Layout and Placement

The design of the SD186ES/SD186EM demonstration board emphasizes ease of use and small size. Refer to Figure 2 on page 2-3 for board layout and component placement.

The SD186ES/SD186EM demonstration board has the Flash and SRAM memory devices (U3, U4 and U7, U8) directly below the processor. This placement keeps the memory devices as close as possible to the processor to minimize noise and trace reflections. The 40-MHz fundamental mode crystal (Y1) is located to the right of the processor. The expansion interface (J2 and J3) is located at the bottom of the board for easy connection and access. Finally, the 5.5-mm power-supply barrel connector (J1) is positioned in the upper, left corner of the board.

The RS-232 serial interfaces are positioned on the right of the board. Please note that the ES version of the board features two serial ports (P0 and P1), which are driven by the two asynchronous serial interfaces on the Am186ES microcontroller. The Am186EM microcontroller provides one asynchronous serial interface so the EM version of the board implements the serial port with a DB-9 connector (P1).

Table 2-1. SD186ES/SD186EM Demonstration Board Parts List

Part Number	Description	For more information, see
CR1–CR10	Power and signal LEDs	Page 2-13
J1	Power connector	Page 2-14
J2–J3	Expansion interface	Page 2-10
U1	Voltage supply supervisor (TI TL7705A)	Page 2-10
U2	Am186ES or Am186EM 40-MHz microcontroller	Page 2-4
U3–U4	Flash memory	Page 2-7
U5–U6	RS-232 driver/receiver devices (MAX232)	Page 2-8
U7–U8	SRAM	Page 2-7
Y1	40-MHz fundamental mode crystal	Page 2-10

1-1

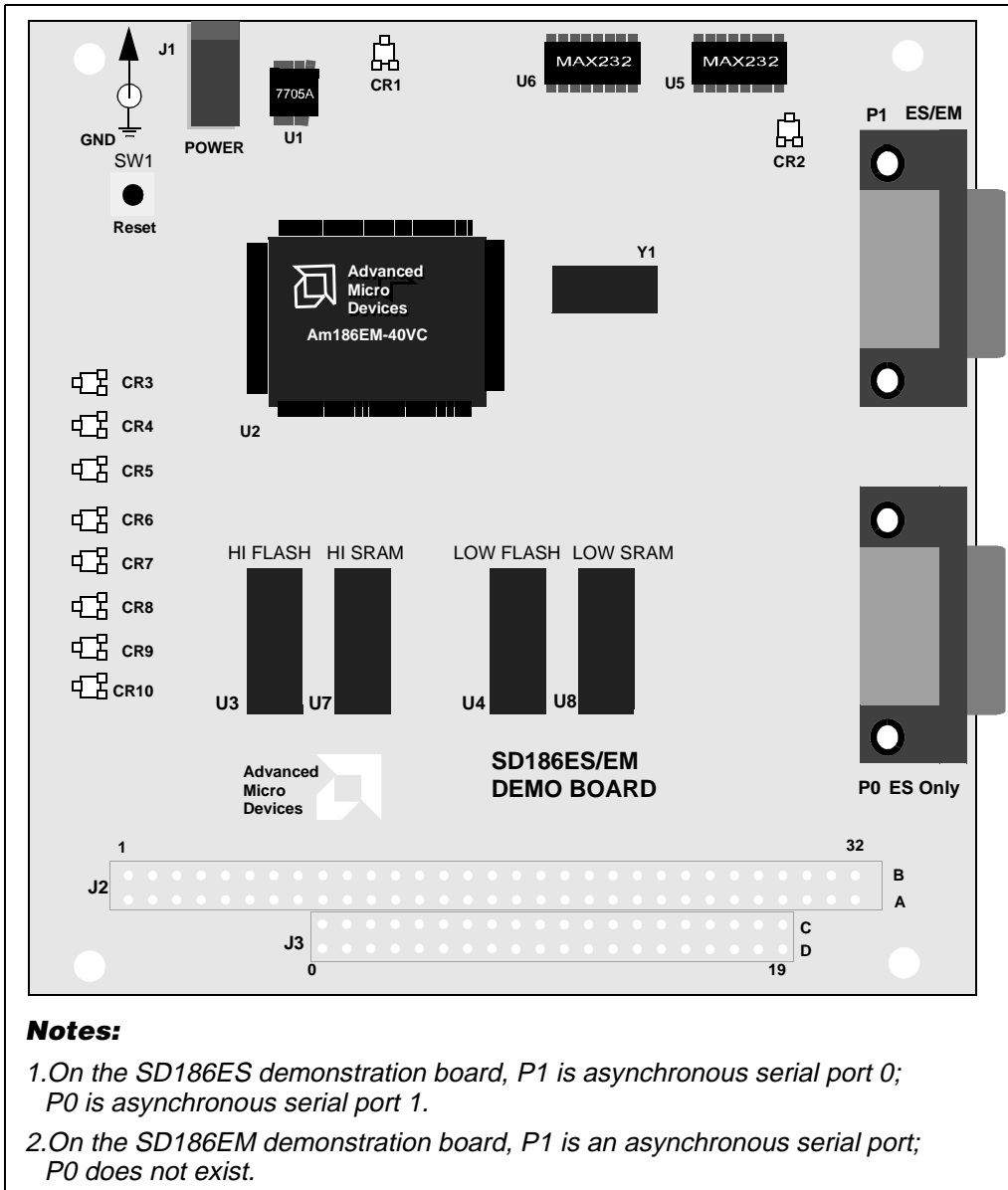


Figure 2-1. SD186ES/SD186EM Demonstration Board Layout

Am186ES and Am186EM Microcontrollers Implementation

The SD186ES/SD186EM demonstration board supports the AMD Am186ES and Am186EM microcontrollers. The board is shipped with either an Am186ES or Am186EM microcontroller that operates at 40 MHz. Although not supported by the on-board crystal, the Am186ES and Am186EM microcontrollers are also available in 20-, 25-, and 33-MHz operating frequencies.

The Am186ES and Am186EM microcontrollers are designed to meet the most common requirements of embedded products developed for the communications, office automation, mass storage, and general embedded markets. Specific applications include feature phones, cellular phones, PBXs, multiplexers, modems, disk drive controllers, hand-held and desktop terminals, fax machines, line cards, managed hubs, and industrial control. Refer to the *Am186™ES and Am188™ES Microcontrollers Data Sheet* and the *Am186™EM and Am188™EM Microcontrollers Data Sheet* for more information on the specific features of the Am186ES and Am186EM microcontrollers.

See Figure 2-2 on page 2-5 for a block diagram detailing the Am186ES microcontroller's functionality. See Figure 2-3 on page 2-6 for a block diagram detailing the Am186EM microcontroller's functionality.

1.1

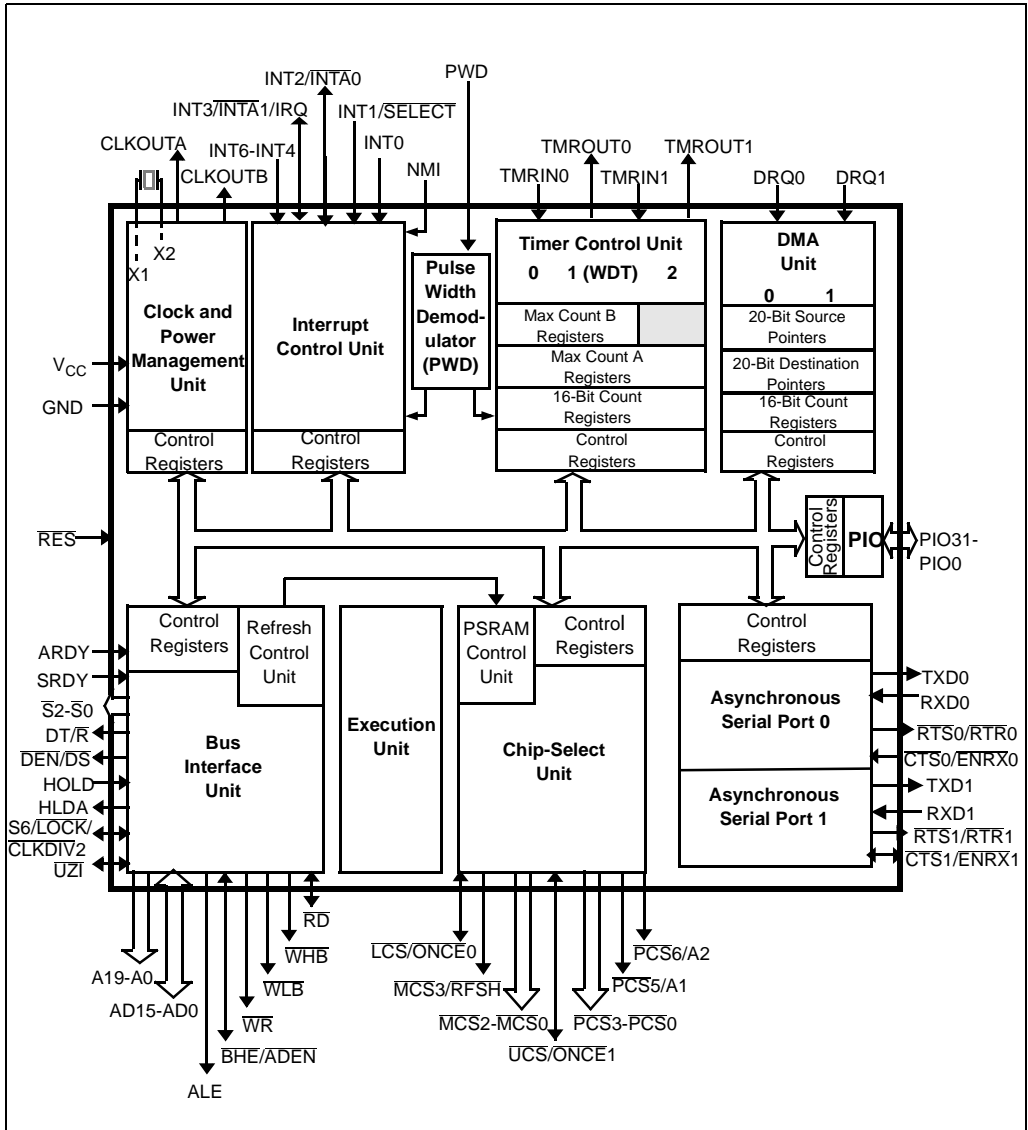
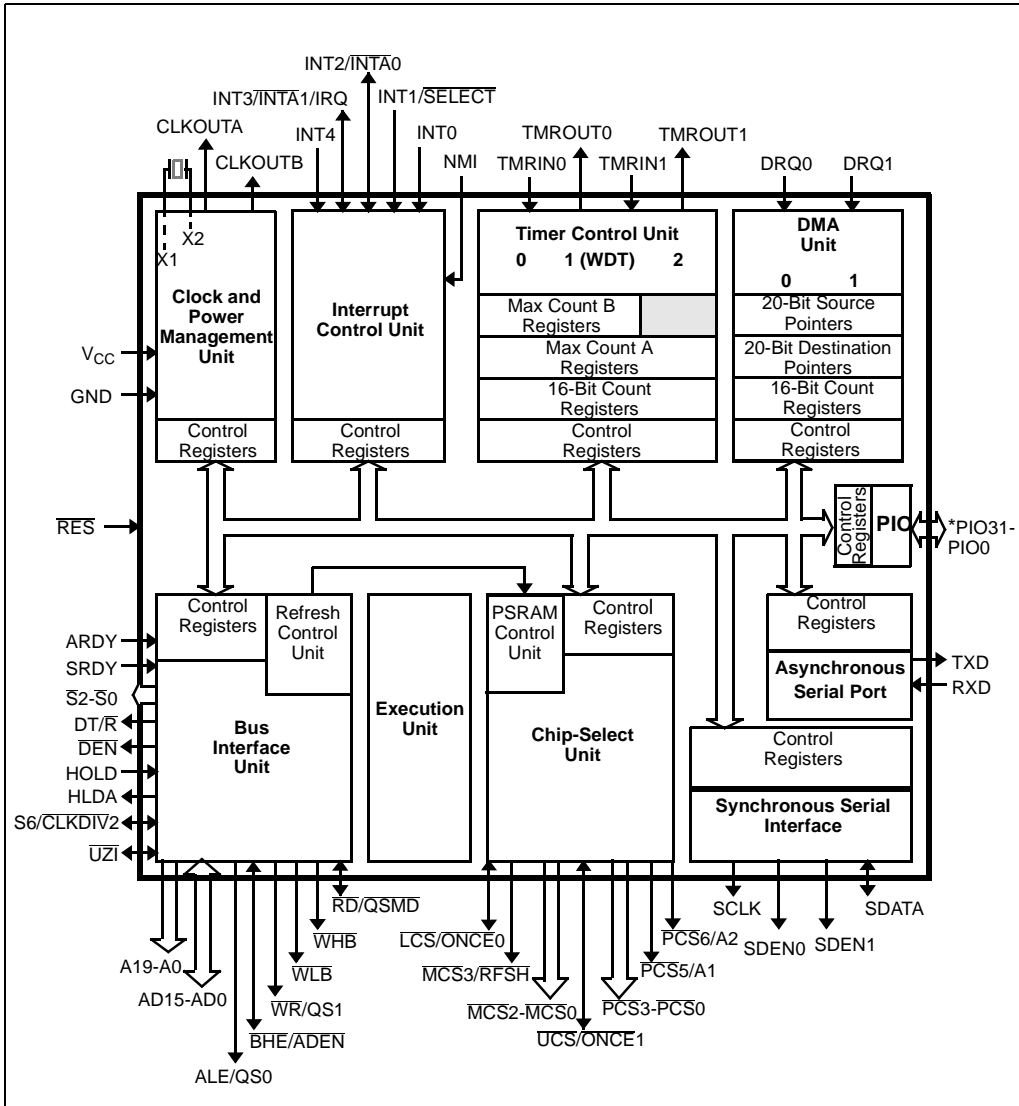


Figure 2-2. Am186ES Microcontroller Block Diagram



1.1

Figure 2-3. Am186EM Microcontroller Block Diagram

ROM Space

The SD186ES/SD186EM demonstration board contains on-board ROM space for use by the E86MON software and application code. This ROM space is implemented as two Am29F010 70-ns Flash memory devices.

The Flash memory devices are mapped to the upper region of addressable memory at C0000h to FFFFFh. This range represents the top sector in both Flash memory devices. Each Flash memory device is organized as 128K x 8 bits (eight, 16K sectors) and is connected to the \overline{UCS} (Upper Memory Chip Select) signal of the microcontroller. After a valid reset, the Am186ES or Am186EM microcontroller fetches the first instruction from the Flash memory devices by asserting \overline{UCS} and driving the address bus with the value FFFF0h.

The E86MON software enables you to program the Flash memory devices with specific types of hex files. Intel hex and Intel extended hex format files are supported. This software functionality is provided to eliminate the need to remove the Flash memory devices. Do not attempt to remove the TSOP Flash memory or SRAM devices (U3, U4, U7, and U8) because doing so may cause damage to the board.

SRAM

The SD186ES/SD186EM demonstration board utilizes SRAM for its read/write storage. The board provides 256 Kbyte of SRAM using two 70-ns devices that are mapped from 0h to 3FFFFh. The SRAM devices are organized as 128K x 8 bits and are attached to the \overline{LCS} (Lower Memory Chip Select) signal of the microcontroller. For every access to the above address range, the Am186ES and Am186EM microcontrollers will assert \overline{LCS} .

NOTE: SRAM available to you includes 410h to 3F400h. See the *E86MON™ Software User's Manual* included in your kit for more information.

RS-232 Serial Ports

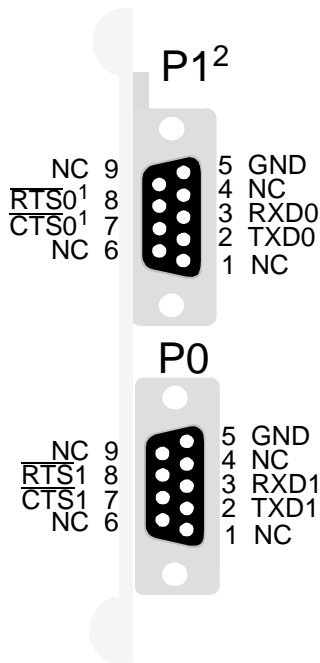
The ES version of the SD186ES/SD186EM demonstration board provides two on-board RS-232 serial ports (P0, P1) that are directly driven by the Am186ES microcontroller. The serial ports are equipped with DB-9 DCE connectors. The pin assignment for the DB-9 connectors is shown in Figure 2-4 on page 2-9.

The EM version of the SD186ES/SD186EM demonstration board provides one on-board RS-232 serial port that is driven directly by the Am186EM microcontroller. The RS-232 serial port (P1) is equipped with a DB-9 DCE connector. The pin assignment for the DB-9 connector is shown in Figure 2-4 on page 2-9.

The Am186EM serial port does not provide RTS and CTS support in hardware. The $\overline{\text{PSC3}}$ and $\overline{\text{PSC2}}$ pins are wired to the corresponding signals and can be configured as PIO outputs for limited RTS and CTS support via software.

Traditionally, PCs have Data Terminal Equipment (DTE) ports which connect directly to the Data Communication Equipment (DCE) port on the SD186ES/SD186EM demonstration board. A null modem cable is not required to connect a DTE port with a DCE port.

The RS-232 specification calls for signals that are driven at non-TTL levels. Single-chip RS-232 driver/receiver devices (MAX232, U5 and U6) are used to convert to and from the required voltages.



Notes:

¹The SD186EM serial port does not support $\overline{\text{RTS0}}$ and $\overline{\text{CTS0}}$ in hardware. Instead, these signals are connected to $\overline{\text{PCS3}}$ and $\overline{\text{PCS2}}$.

²The SD186EM demonstration board has only one asynchronous serial port. The serial port is connected to P1.

Figure 2-4. DB-9 Serial Connector Pinout

Clock and Reset Logic

The Am186ES and Am186EM microcontrollers can be configured for either 1x or 1/2x clock mode. As configured on the SD186ES/SD186EM demonstration board, the microcontroller is in 1x clock mode. The input is generated by a 40-MHz fundamental mode crystal (Y1) that is connected to the X1/X2 inputs of the microcontrollers, resulting in a 40-MHz system clock.

System reset is controlled by a voltage supply supervisor (TI TL7705A, U1). This device generates the processor's reset input, asserting the Am186ES or Am186EM microcontroller's $\overline{\text{RES}}$ pin for 13 ms when the RESET switch is depressed. The voltage supply supervisor also holds reset active when the power falls below 4.75 V.

Am186 Expansion Interface

The SD186ES/SD186EM demonstration board supports the PC/104 form-factor expansion-type connector for additional prototyping and testing. The traditional PC/104 signals are not present on the board; however, the Am186 expansion interface enables you to attach wirewrap or prototype boards that have the same standard physical interface. The pinout of the expansion interface for the SD186ES is shown in the figures that follow.

NOTE: The pinout of the expansion interface is identical for both the SD186ES and SD186EM demonstration boards except for the four pins shown in Table 2-2.

Table 2-2. Expansion Interface SD186ES/SD186EM Pinout Differences

J2 Pin Number	SD186ES Pin Name	SD186EM Pin Name
B19	RTS0	SCLK
B20	TXD0	SDEN0
B21	RXD0	SDEN1
B22	CTS0	SDATA

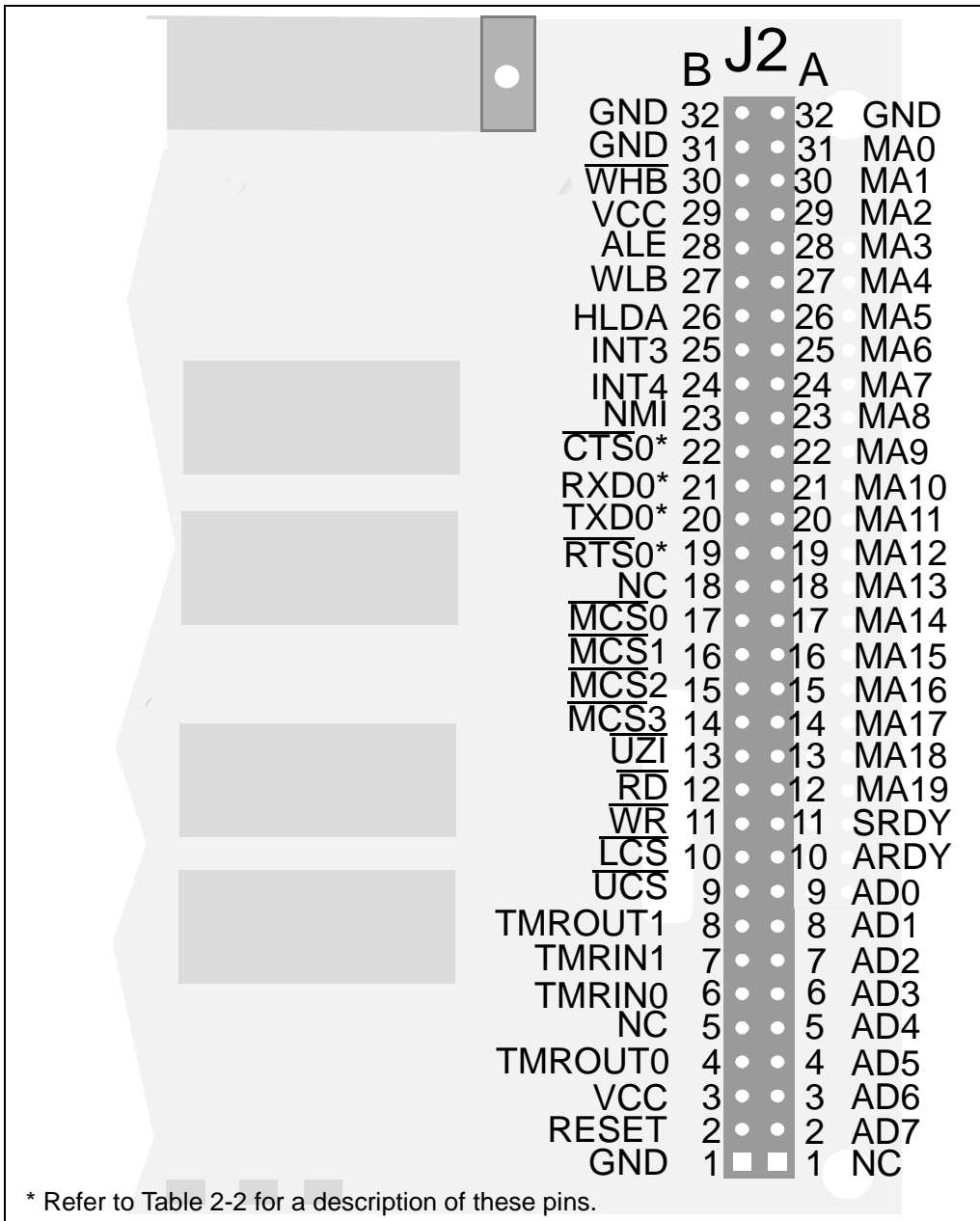


Figure 2-5. Am186 Expansion Interface Pinout (J2)

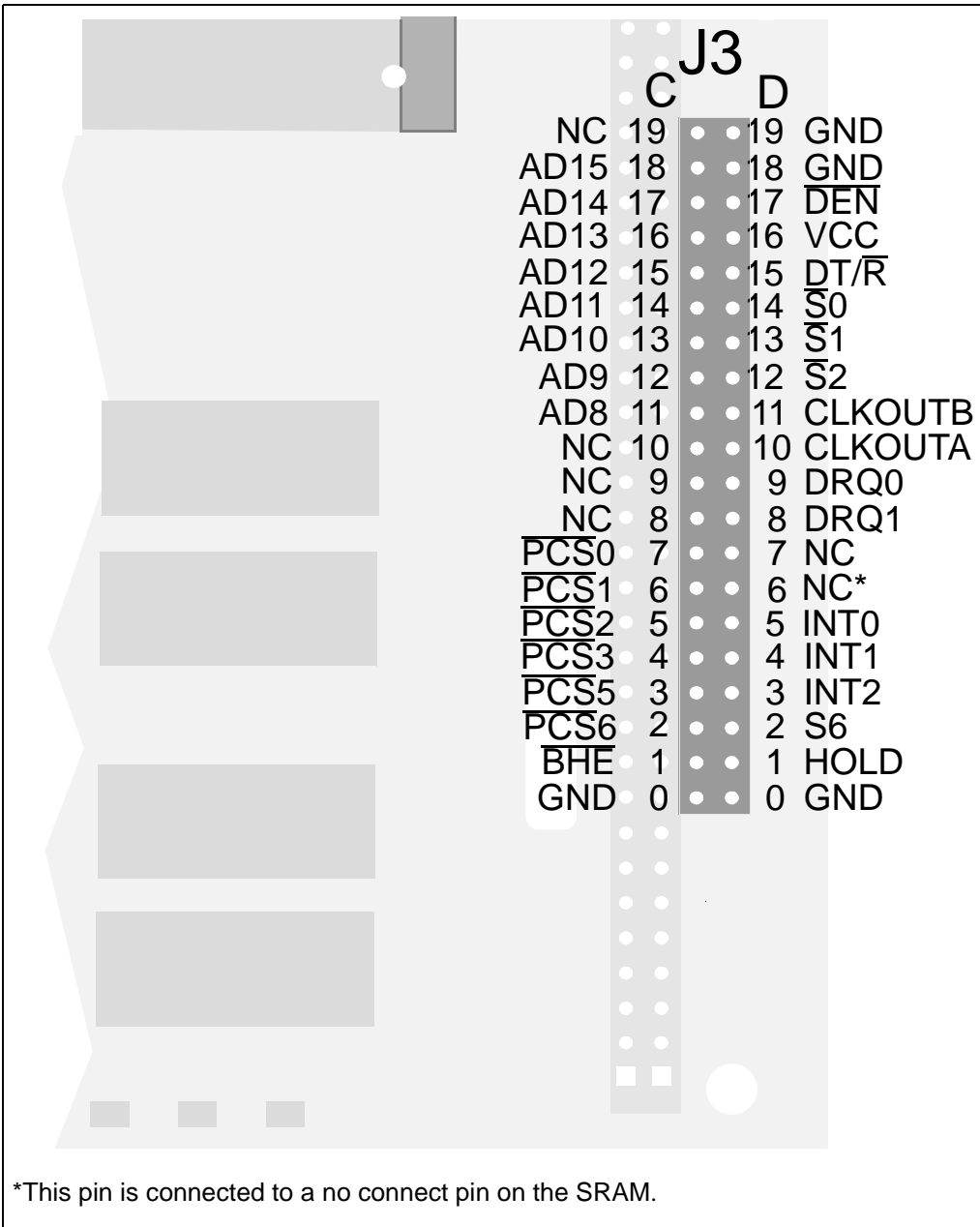


Figure 2-6. Am186 Expansion Interface Pinout (J3)

PIO Activity LED Indicators

The SD186ES/SD186EM demonstration board uses on-board LED indicators to show activity on the upper eight programmable I/O (PIO) signals from the Am186ES or Am186EM microcontroller. Table 2-3 shows which PIO signal is represented by each LED.

Table 2-3. PIO LED Indicator Interface

LED	PIO Pin Name	PIO Register Bit Number
CR3	MCS1	15
CR4	MCS0	14
CR5	DEN	5
CR6	DT/R	4
CR7	PCS5	3
CR8	PCS6	2
CR9	TMROUT1	1
CR10	TMRIN1	0

Power Supply

When used as a stand-alone board, the SD186ES/SD186EM demonstration board requires an input power supply of 5.0 V DC, $\pm 5\%$, 250 mA.

When adding components to the SD186ES/SD186EM demonstration board via the expansion interface, additional power may be necessary.

The power supply connector is a 5.5-mm barrel connector where the center post is V_{CC} and the outer ring is GND, as shown in Figure 2-7.



Figure 2-7. Power Supply Polarity



CAUTION: Use the 5-V universal power supply included with the kit. Using a 9-V supply will permanently damage the board.

Chapter 3



Product Support

This chapter contains information on:

- Reaching and using the AMD Corporate Applications technical support services, on page 3-2
- Product information available through AMD's World Wide Web and FTP sites, on page 3-4
- Support tools for the E86 family, on page 3-5

AMD Corporate Applications Technical Support Services

Technical support for the E86 family of microcontrollers and corresponding support products is available via e-mail, online (BBS and WWW), or through telephone or fax.

E-Mail Support

Please include your name, company, telephone number, AMD product requiring support, and question or problem in all e-mail correspondence.

In the USA and Canada, send mail to:

`HW.Support@amd.com`

In Europe and the UK, send mail to:

`euro.tech@amd.com`

Online Support

AMD offers technical support on our WWW site, and through our bulletin board services. See “Product Support” on page 3-4 for more on what our WWW and FTP sites have to offer.

WWW Technical Support

Go to AMD’s home page at <http://www.amd.com> and click on “Service” for the latest AMD technical support phone numbers, software, and Frequently Asked Questions.

Bulletin Board Support

Country	Number
USA and Canada	(408) 749-4659
UK and Europe	44-(0) 1276-803-211

Telephone and Fax Support

Telephone assistance is available in the U.S. from 8:00 A.M. to 5:00 P.M. Pacific time, Monday through Friday (except major holidays). In Europe, assistance is available during U.K. business hours. Contact the hotlines at one of the following telephone or fax numbers.

Direct Dial Numbers

Country	Number
USA and Canada	Tel.: (408) 749-5703 Fax: (408) 749-4753
Japan	Tel.: (03) 3346-7550 Fax: (03) 3346-9828
Far East Asia	Fax: (852) 2956-0599
Germany	Tel.: 089 450 53199
UK and Europe	Tel.: 44-(0) 1276-803-299 Fax: 44-(0) 1276-803-298

Toll-Free Numbers

Country	Number
USA and Canada	(800) 222-9323
France	0590-8621
Italy	1678-77224
Japan	0031-11-1163

Product Support

AMD's WWW and FTP sites are described below. Questions, requests, and input concerning these sites can be sent via e-mail to **webmaster@amd.com**.

WWW Site

A subset of the AMD WWW pages, the embedded processor pages are frequently updated and include general product information, technical documentation, and support and tool information. To access these pages, go to the AMD home page at **<http://www.amd.com>** and click on "Embedded Processors" or access the pages directly at **<http://www.amd-embedded.com>**.

The "Embedded Processors" home page is divided into four sections:

- "What's New" announces new E86 family products, and highlights new applications using our products.
- "Product Overviews" briefly describes all the microprocessors and microcontrollers in the E86 family, and describes how these parts are ideal in specific focus markets.
- "Support and Tools" provides information about the tools that support our processors, and offers online benchmarking tools.
- "Technical Documentation" provides the *Available Literature List* of datasheets, application notes, user's manuals, and promotional literature, and describes how to order these documents. Many are also available online in PDF form. (To access the Literature Ordering Center via telephone, call one of the numbers listed on the back cover of your manual).
- "Demo Board Updates" provides a link to the AMD FTP site where the latest E86MON software releases are available.

FTP Site

In addition to the documentation on our WWW pages, AMD provides software through an anonymous FTP site. To download the software, ftp to **ftp.amd.com** and log on as “anonymous” using your e-mail address as a password. Or via your web browser, go to **ftp://ftp.amd.com**. Software relating to the E86 family can be found in the **/pub/epd/e86/** directory.

Third-Party Development Support Products

The FusionE86SM Program of Partnerships for Application Solutions provides the customer with an array of products designed to meet critical time-to-market needs. Products and solutions available from the AMD FusionE86 partners include emulators, hardware and software debuggers, board-level products, and software development tools, among others. The *FusionE86SM Catalog*, order# 19255, describes these solutions.

In addition, mature development tools and applications for the x86 platform are widely available in the general marketplace.

11

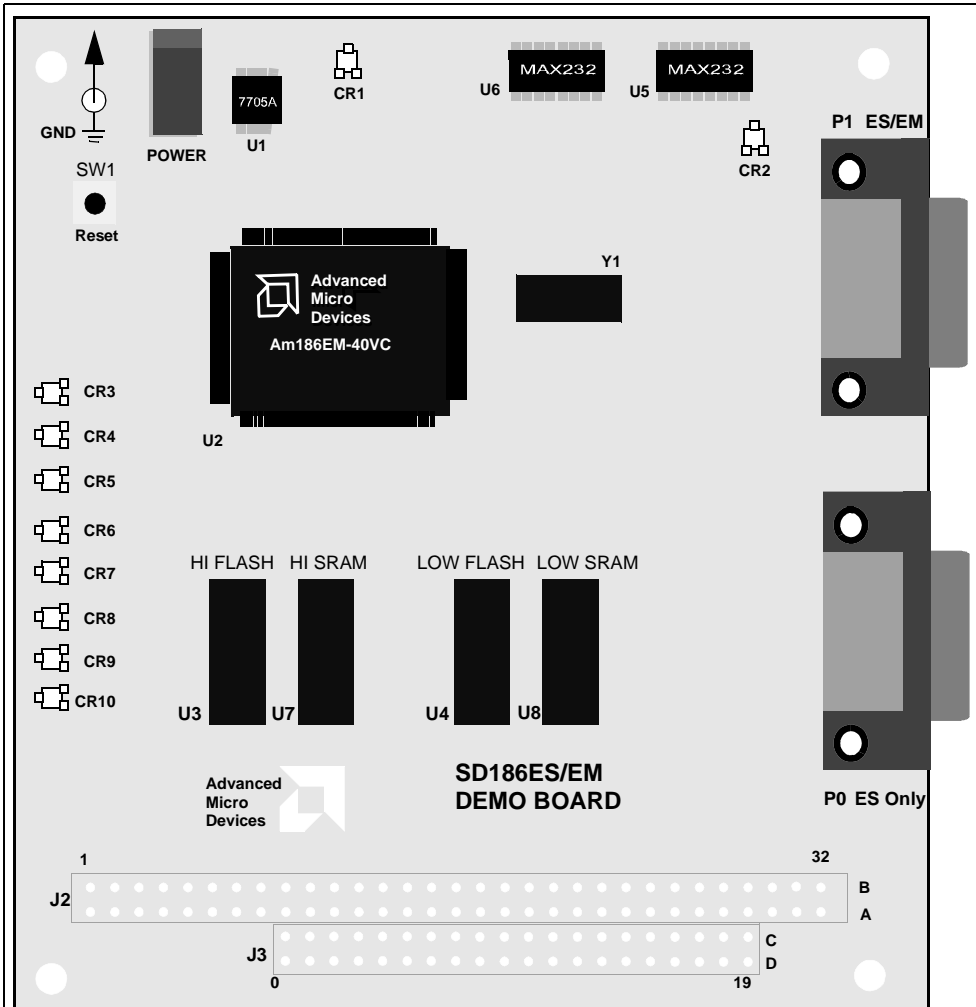
Appendix A



Layout Diagram, Schematics, and Board Bill of Materials

This appendix contains a board layout diagram, schematics, and the bill of materials (BOM) for the SD186ES/SD186EM demonstration board.

Board Layout Diagram



Notes:

1. On the SD186ES demonstration board, P1 is asynchronous serial port 0; P0 is asynchronous serial port 1.
2. On the SD186EM demonstration board, P1 is an asynchronous serial port; P0 does not exist.

Figure A-1. SD186ES/SD186EM Demonstration Board Layout

Schematics

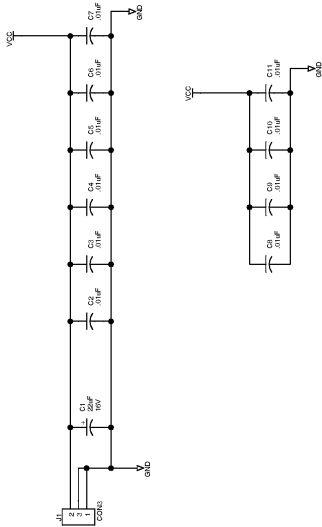
The SD186ES/SD186EM demonstration board schematics have been blocked out to separate functionality of the design onto separate pages as follows:

- Page A-4 contains the power connector and decoupling capacitors
- Page A-5 contains the Am186ES or Am186EM microcontroller, clock, and reset circuitry
- Page A-6 contains the Flash devices
- Page A-7 contains the serial ports and corresponding LEDs
- Page A-8 contains the SRAM devices
- Page A-9 contains the PIO LEDs
- Page A-10 contains the Am186 interface and signal termination

NOTE: These schematics and design are subject to change.

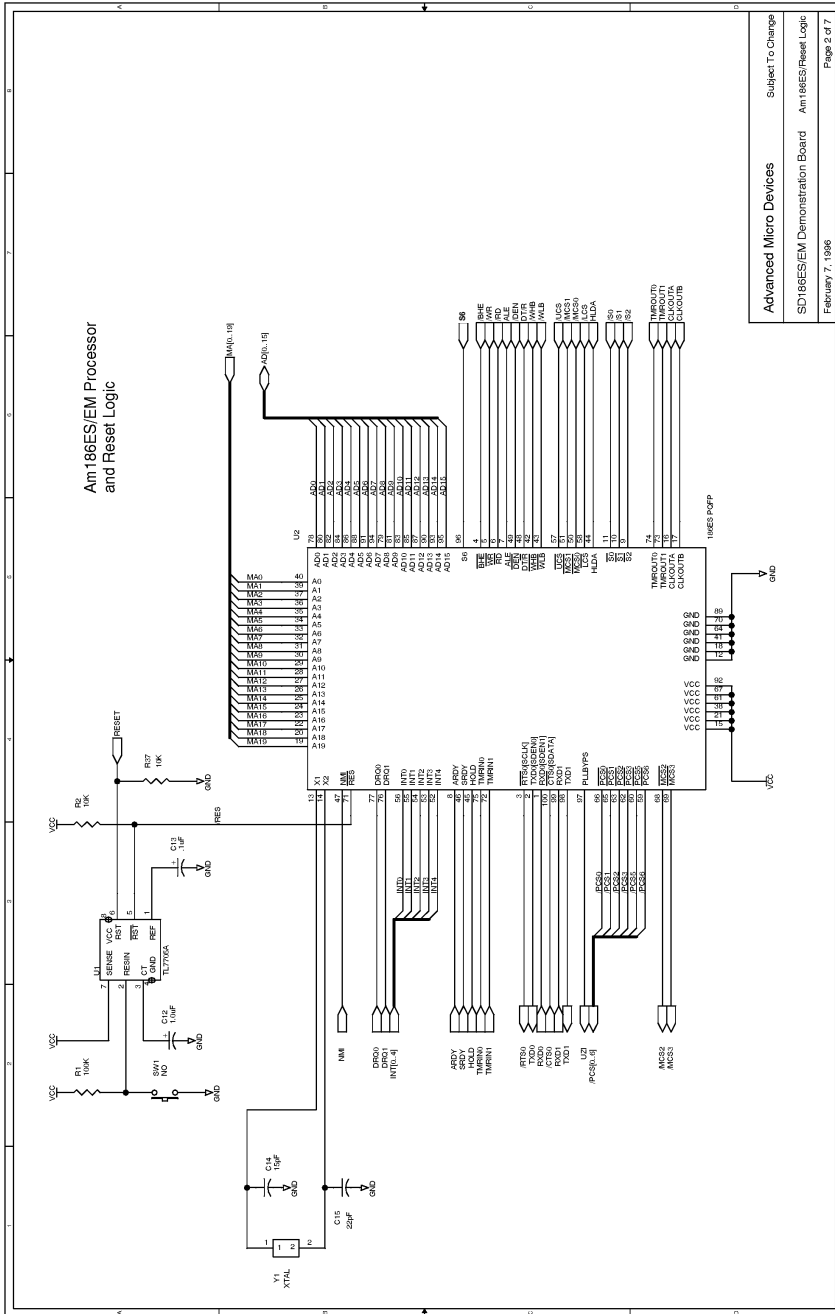
Power decoupling Capacitors
 Revision 0
 February 7, 1996
 SD186ES-2

Pin 5: Control of Power Jack
 Pin 6: Signal Terminal
 Pin 1: Common Ground



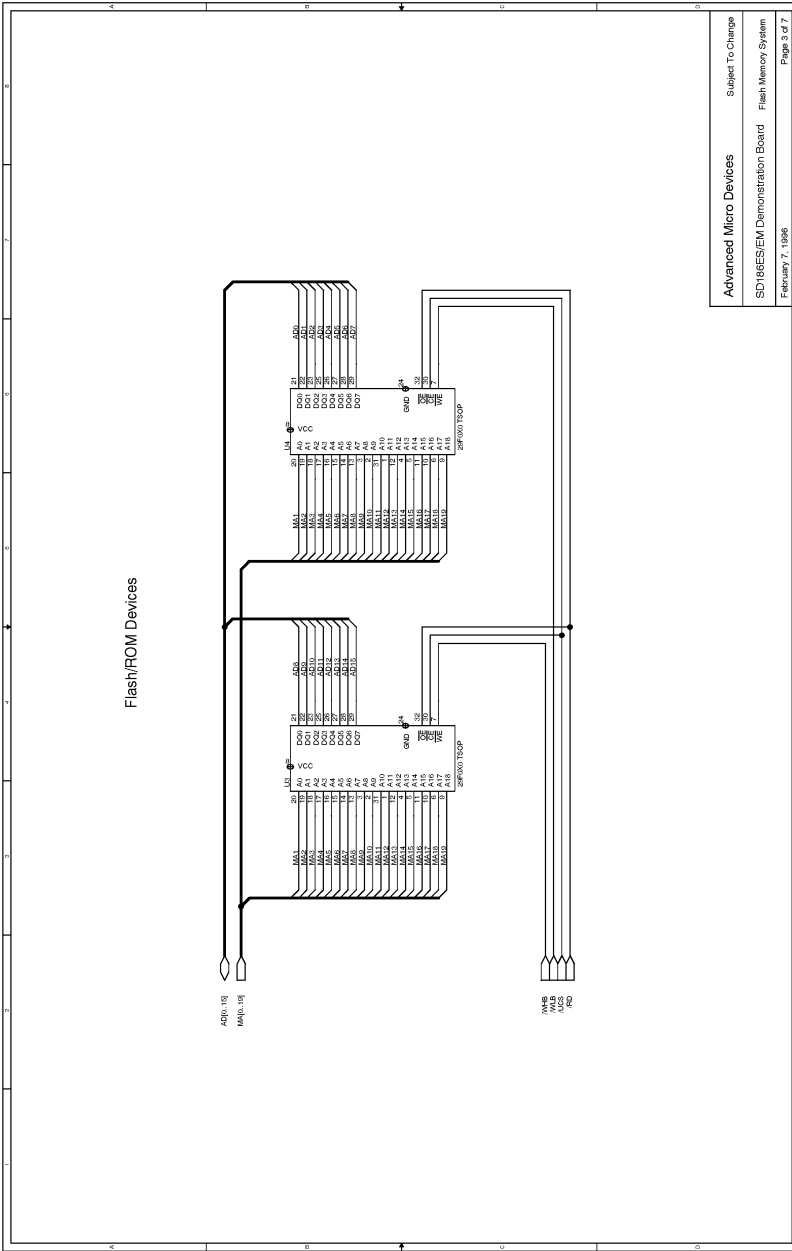
Advanced Micro Devices	Subject To Change
SD186ES/EM Demonstration Board	Power
February 7, 1996	Page 1 of 7

© AMD 1996

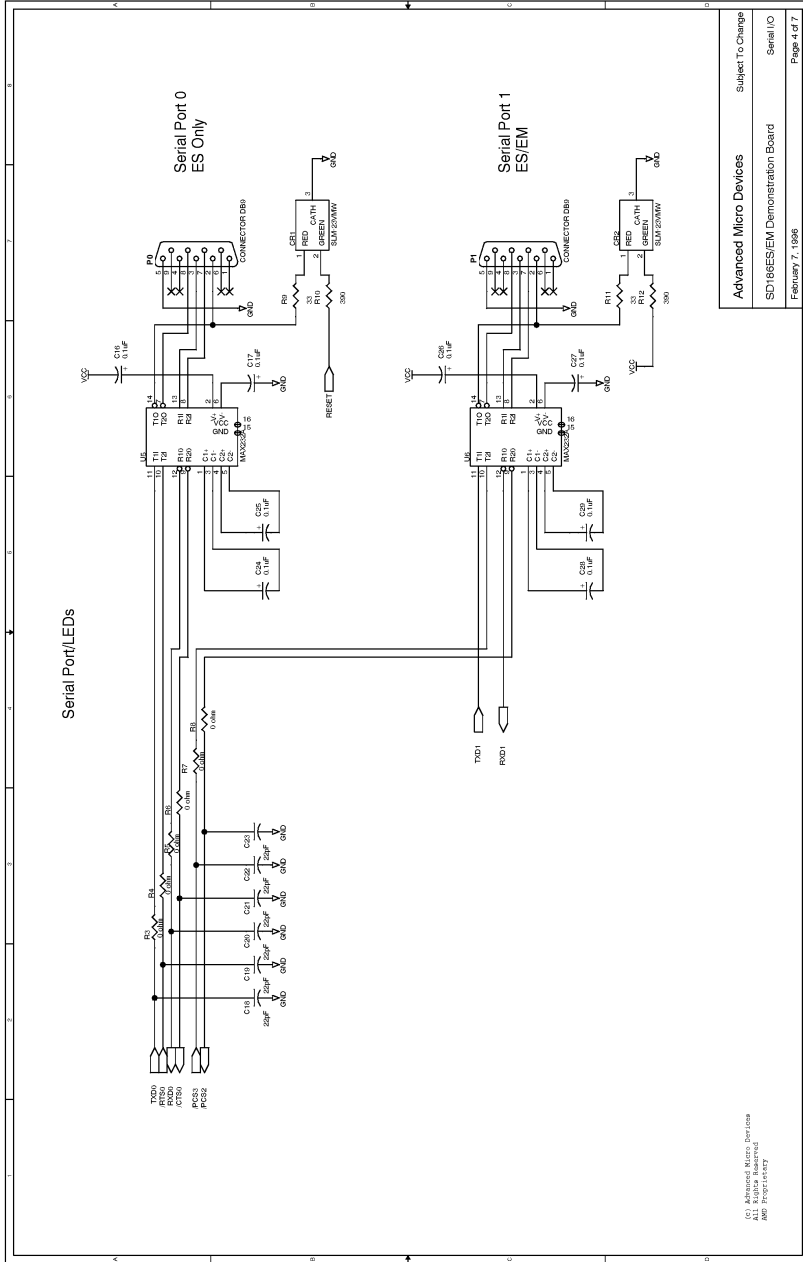


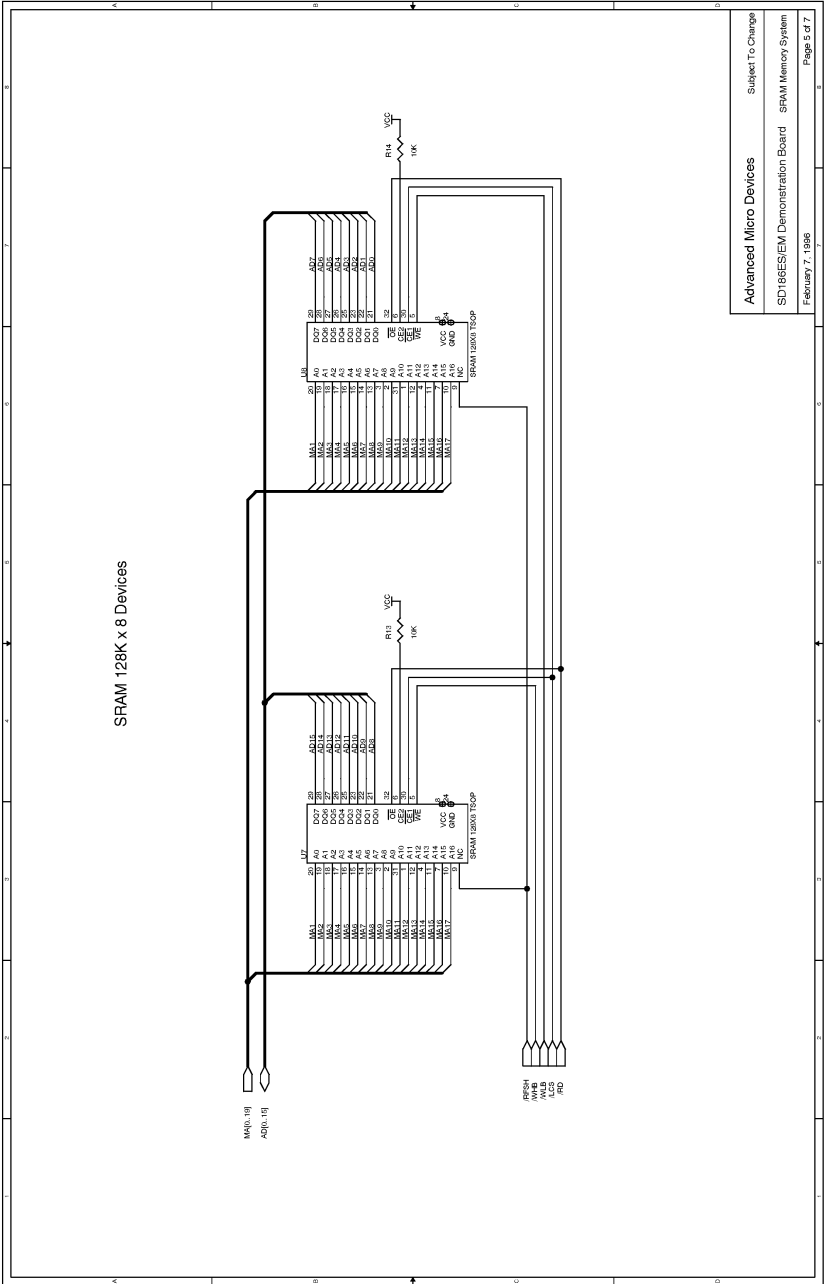
Subject To Change
 Am186ES/EM Reset Logic
 Am186ES/EM Demonstration Board
 February 7, 1986
 Page 2 of 7

© AMD 1986



Advanced Micro Devices Subject To Change
 SD186ES/EM Demonstration Board Flash Memory System
 February 7, 1986 Page 3 of 7

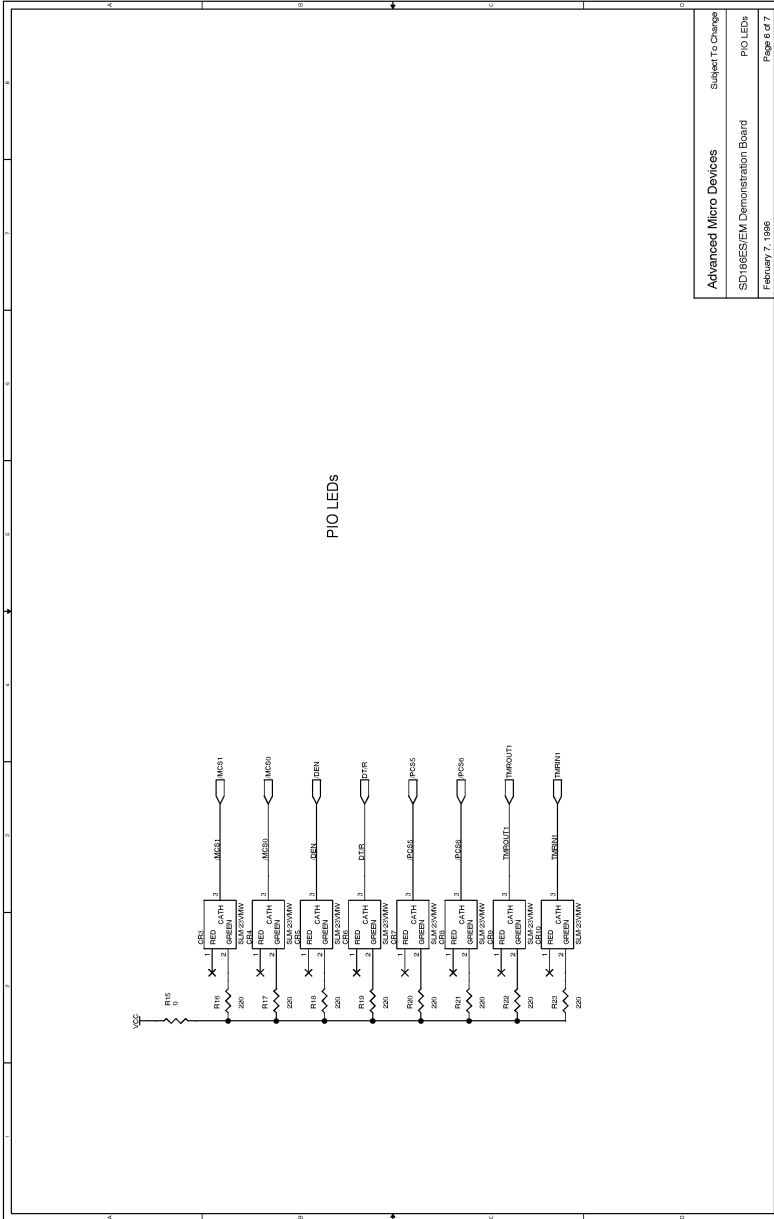




SRAM 128K x 8 Devices

Advanced Micro Devices Subject To Change
 SD186ES/EM Demonstration Board SRAM Memory System
 February 7, 1986 Page 5 of 7

© AMD 1996



Advanced Micro Devices	Subject To Change
SD186ES/EM Demonstration Board	PIO LEDs
February 7, 1996	Page 6 of 7

© AMD 1996

Board Bill of Materials (BOM)

Table A-1. SD186ES/SD186EM Demonstration Board BOM

Qty	Ref	Description	MFG1	Part No 1
1	C1	22 MFd, SMT, C case, 20 V	Any	
1	C12	1.0 MFd, SMT, 16 V	Any	
9	C13, C16, C17, C24-C29	0.1 MFd, SMT, 20 V	Any	
1	C14	15 PFd, SMT, 16 V	Any	
9	C15, C18-23, C30, C31	22 PFd, SMT, 16 V	Any	
10	C2-C11	0.01 MFd, SMT, 16 V	Any	
10	CR1-CR10	LED, 3 Pin, SMT	Rohm	SLM-23VMW
1	J1	Power Jack, 5.5 mm, RA	Switchcraft	RAPC-712
0	J2	Am186 Conn, 64-Pin Header	Not Populated	
0	J3	Am186 Conn, 40-Pin Header	Not Populated	
2	P0, P1	DB9 right angle connector, Front Metal-Shell	AMP	787844-1
12	R1, R24-R34	100K Ohms, 5%	Any	
2	R10, R12	390 Ohms, 5%	Any	
8	R16-R23	220 Ohms, 5%	Any	
4	R2, R13, R14, R37	10K Ohms, 5%	Any	
7	R3-R8, R15	0K Ohms	Any	
4	R9, R11, R35, R36	33 Ohms, 5%	Any	
1	SW1	Reset Switch, (SMT-J lead)	C & K	KT11P3JM
1	U1	Reset Controller, SMT	TI	TL7705ACD
1	U2	Am186ES Microcontroller or Am186EM Microcontroller	AMD	
2	U3, U4	128K x 8 Flash EPROM (SMT)	AMD	Am29F010-70E
1	U5, U6	RS-232 Driver, narrow SMT	Maxim	MAX232ACSE
2	U7, U8	128K x 8 SRAM (SMT)	Hitachi	HM628128T-7
1	Y1	40.0 MHz High Frequency Quartz Crystal, 16 pF	Epson	MA-306



Index

A

Am186 expansion interface,
 See expansion interface
Am186EM microcontroller
 block diagram, 2-6
 operating frequency, 2-4
Am186ES microcontroller
 block diagram, 2-5
 operating frequency, 2-4
AM29F010 Flash, 2-7

B

baud rate setting, 1-4
BBS technical support, 3-2
bill of materials, A-11

C

clock configuration, 2-10
clock logic, 2-10
clock rates
 supported, 2-10
COM ports, *See* ports
connect
 demo board to PC, 1-2
connectors
 DB-9, 1-3
conventions
 documentation, xii

CR1–CR9 LEDs
 on power-up, 1-4
CR3–CR10 PIO LEDs, 2-13

D

data bits setting, 1-4
DB-9 serial connector pinout, 2-9
DEN pin, 2-13
documentation
 conventions, xii
 description of, x, xi, xii
 manual contents, x
 reference material, xi
DT/R pin, 2-13

E

E86MON utility
 invoking, 1-4
 no prompt, 1-5
e-mail technical support, 3-2
expansion interface, 2-10
 J2 pinout, 2-11
 J3 pinout, 2-12

F

features

- SD186ES/SD186EM
demonstration board, viii

Flash memory overview, 2-7

FTP site, 3-5

FusionE86 program, 3-5

H

hotline numbers, 3-3

I

installation

- requirements, 1-2
- troubleshooting, 1-5

interfaces

- expansion, 2-10
 - RS-232 serial, 2-8
-

J

J1, J2, and J3 locations on board, 2-3

L

LED indicators, 2-13

LEDs

- CR1–CR9, 1-4
- flashing incorrectly, 1-5
- location on board, 2-2
- no power, 1-5
- PIO indicators, 2-13

M

memory

- Flash, 2-7
 - ROM, 2-7
 - SRAM, 2-7
-

P

parity setting, 1-4

PC

- connect demo board to, 1-2

PCS pins, 2-13

pinout

- Am186 interface (J2), 2-11
- Am186 interface (J3), 2-12
- DB–9 serial connector, 2-9
- RS-232 serial port, 2-9

PIO signals

- mapped to LEDs, 2-13
- overview, 2-13

ports

- COM1, 1-3
- COM2, 1-3
- expansion, 2-10
- RS-232 serial, 2-8
- serial, 1-3

power supply

- 5-V vs. 9-V, 2-14
- input requirements, 2-14
- polarity, 2-14
- to board, 1-3

product support

- FTP site, 3-5
- third party (FusionE86), 3-5
- WWW site, 3-4

R

RES pin, 2-10

RESET button

nothing happens when pushing, 1-5

resetting board with, 1-4

reset logic, 2-10

ROM space, 2-7

RS-232 serial port, 2-8

pinout, 2-9

S

schematics, A-3

SD186ES/SD186EM demonstration board

bill of materials, A-11

block diagram, ix

clock logic, 2-10

connecting DB-9 connector to PC, 1-3

design, 2-2

documentation, x

expansion interface, 2-10

features, viii

installing, 1-3

layout and placement, 2-2

layout illustration, 2-3, A-2

LEDs, 2-13

overview, vii

parts list, 2-2

PIOs, 2-13

power supply, 2-14

reset logic, 2-10

ROM space, 2-7

RS-232 serial port, 2-8

schematics, A-3

SRAM, 2-7

technical support, 3-1

serial ports, 1-3

SRAM, 2-7

stop bits setting, 1-4

support, product. *See* product support

support, technical, 3-1

T

technical support, 3-1

BBS support, 3-2

e-mail support, 3-2

hotline numbers, 3-3

WWW support, 3-2

terminal emulation program

displaying unreadable characters, 1-5

locks up, 1-5

TMRIN1 pin, 2-13

TMROUT1 pin, 2-13

troubleshooting

installation, 1-5

U

U1–U6 location on board, 2-2

\overline{UCS} (Upper Memory Chip Select) signal,
2-7

W

WWW

product support, 3-4

technical support, 3-2

Y

Y1 location on board, 2-2

