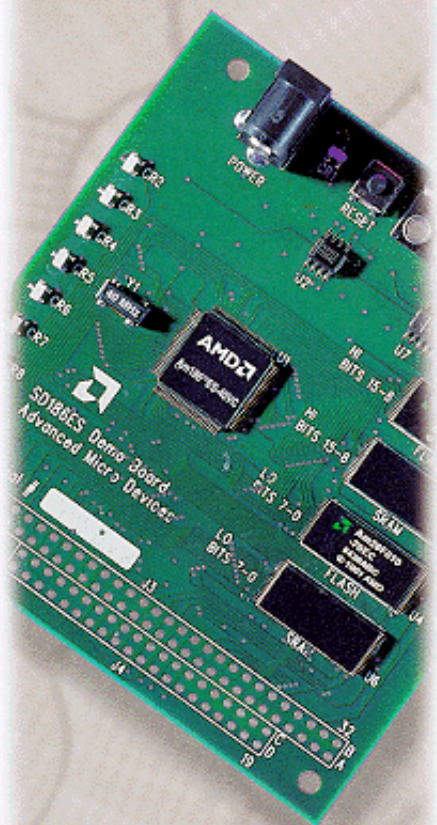




AMD SD186ES™ Demonstration Board



PRODUCT BRIEF

AMD SD186ES Stand-Alone Evaluation Platform

The SD186ES™ demonstration board provides a complete stand-alone microcontroller-based evaluation platform in a low-cost, very small form-factor product for those developers working with the Am186™ES microcontroller.

The Am186ES microcontroller is designed to meet the most common requirements of embedded products developed for the office automation, mass storage, communications, industrial, and general embedded markets. The SD186ES board demonstrates the basic processor functionality and features of the Am186ES microcontroller and the simplicity of its system design.

PRODUCT HIGHLIGHTS

Am186ES 40-MHz Microcontroller

- 80C186 compatibility
- Glueless interface to PSRAM, SRAM, FLASH, and ROM memory systems
- Demultiplexed address/data bus
- 32 programmable I/Os
- Two DMA controllers

Two RS-232 Serial Ports

- Driven by Am186ES microcontroller
- Equipped with DB-9 DCE connectors

PC/104 Form Factor

- Facilitates system prototyping through the use of industry-standard hardware development cards

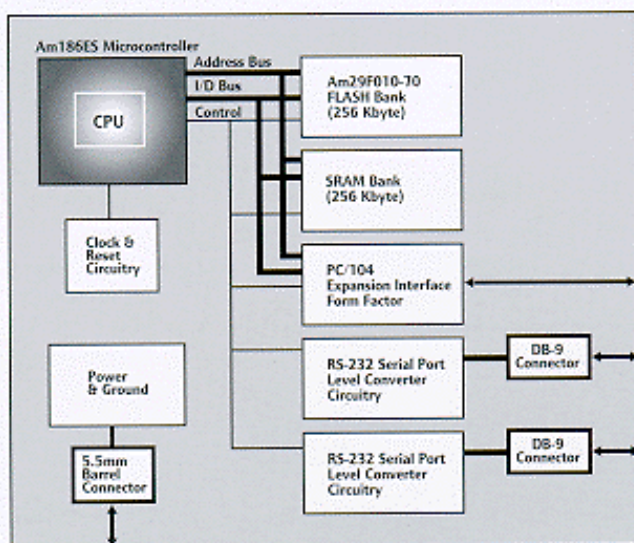
Glueless Interface to SRAM and FLASH

- Close to processor to minimize noise and trace reflections
- Two FLASH devices providing for 256 Kbytes of memory for boot monitor and application program code
- Two SRAM devices providing for 256 Kbytes of memory for board's read/write storage

**Delivers 5.35 Dhrystones
2.1 VAX MIPS using
70 ns Memories**

PRODUCT DESCRIPTION

The SD186ES demonstration board is a fully functional stand-alone evaluation platform for the Am186ES microcontroller. The Am186ES microcontroller integrates peripherals such as a DMA controller, memory controller, chip select, dual channel serial controller, programmable I/Os, and timers to increase systems functionality while reducing overall cost. The memory controller supports a glueless connection to SRAM, EPROM, FLASH, and Pseudo-Static RAM. The Am186ES microcontroller also features an innovative bus design that frees the processor to run at nearly twice the speed of standard 80C186 processors—without an increase in memory speed requirements.



SD186ES Demonstration Board Block Diagram

Related Literature:

Am186ES and Am188ES Microcontrollers Data Sheet	#20002
Am186ES Product Brief	#20062
E86 Family Comparative Features Chart	#19181

AMD is a registered trademark and Am186, E86, and SD186ES are trademarks of Advanced Micro Devices, Inc.



One AMD Place P.O. Box 3453
Sunnyvale, California 94088-3453
Tel: (408) 732-2400
Toll Free: (800) 538-8450
TWX: 910-339-0280
TELEX: 34-6306

APPLICATIONS HOTLINE & LITERATURE ORDERING

USA: Tel: (408) 749-5703
JAPAN: Tel: 03-3346-7550
Fax: 03-3346-9688
FAR EAST: Fax: (852) 2956-0599
EUROPE & UK: Tel: 44-(0)1276 803299
Fax: 44-(0)1276 803298
BBS: 44-(0)1276 803211
GERMANY: 089-450-53199

TOLL FREE: USA: (800) 222-8020
FRANCE: 0590-6621
ITALY: 1678-77224

Technical Support E-mail: euro.tech@amd.com
Literature Request E-mail: euro.lit@amd.com
<http://www.amd.com>

20053A
LIT-3.5M-8/96-1