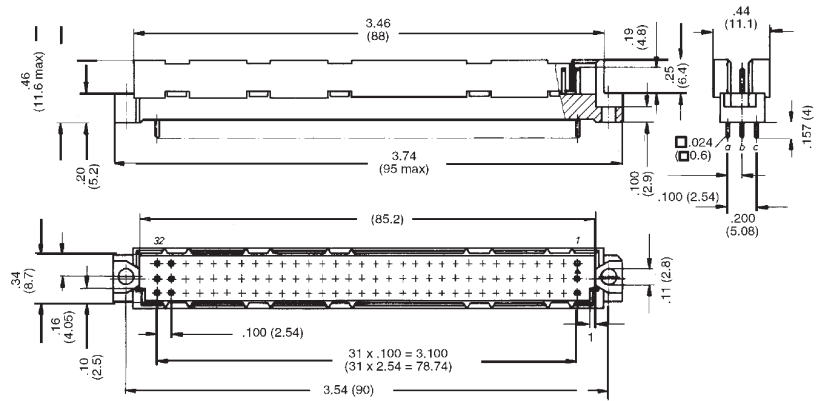
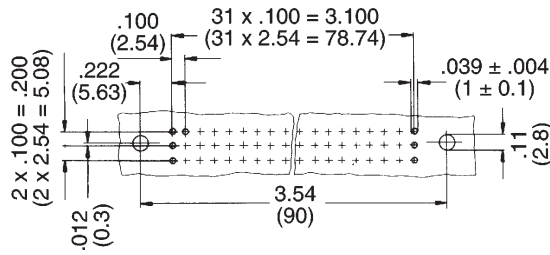


**Type R —  
Series 130**

**64 and 96 Contact Inverse  
Male Three Row Connectors**



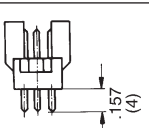
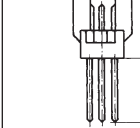
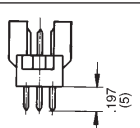
**Printed Circuit Layout**



**Press-Fit Technical Specifications**

|                    |   |
|--------------------|---|
| Compliant Pin      |   |
| P.C.B. Thickness   | .06 - .13 (1.6 - 3.2 mm)                |
| Finished Hole Size | .037 - .043 (0.94 - 1.09 mm)            |
| Drill Size         | .045 ± .0004 (1.15 <sup>+0.01</sup> mm) |
| Copper             | 100μ" 300μ" (25-76μm)                   |
| Tin-Lead           | 30μ" (6μm min)                          |

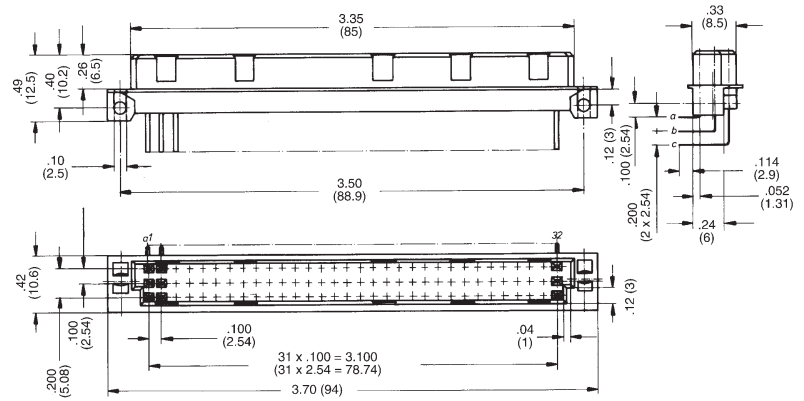
**Part Numbers**

| No. of Contacts | Contact Arrangement             | Performance Level <sup>3)</sup> | Soldering   |  | Press-Fit   | Press-Fit Insertion Die |
|-----------------|---------------------------------|---------------------------------|---|--|---|-------------------------|
|                 |                                 |                                 |  |  |  |                         |
| 64              | Row a + c                       | 2                               | 130-964-133   | —  | 130-964-332*  | 200-022-013             |
|                 |                                 | 3                               | 130-964-153   | 130-964-151  | 130-964-352   |                         |
| 96              | Fully Equipped (Rows a + b + c) | 2                               | 130-096-133   | 130-096-131  | 130-096-332   |                         |
|                 |                                 | 3                               | 130-096-153   | 130-096-151  | 130-096-352   |                         |

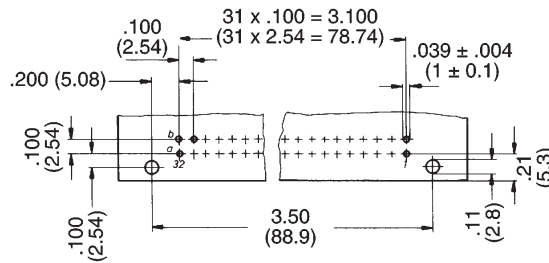
\* Contact Factory for Availability

**Type R —  
Series 130**

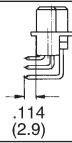
**64 and 96 Contact Inverse  
Female Three Row  
Connectors**



**Printed Circuit Layout**



**Part Numbers**

| No. of Contacts | Contact Arrangement             | Performance Level | Termination Methods   |
|-----------------|---------------------------------|-------------------|---|
|                 |                                 |                   |  |
| 64              | Row a + c                       | 2                 | 130-964-533   |
|                 |                                 | 3                 | 130-964-553   |
| 96              | Fully Equipped (Rows a + b + c) | 2                 | 130-096-533   |
|                 |                                 | 3                 | 130-096-553   |