



US00D360409S

# United States Patent [19]

[11] Patent Number: Des. 360,409

Alo, Jr. et al.

[45] Date of Patent: \*\* Jul. 18, 1995

[54] **COMPUTER HOUSING**

[75] Inventors: **Roland K. A. Alo, Jr.**, Boca Raton, Fla.; **Richard F. Sapper**, Milan, Italy; **Brian Trumbo**, Boynton Beach, Fla.

[73] Assignee: **International Business Machines Corporation**, Armonk, N.Y.

[\*\*] Term: **14 Years**

[21] Appl. No.: **23,372**

[22] Filed: **May 24, 1994**

[52] U.S. Cl. .... **D14/102**

[58] Field of Search ..... D14/100, 102, 107-109; D13/162, 184, 199; 312/194, 208.1, 223.2, 223.3; 360/97.01, 97.04, 98.01, 99.01, 99.12; 361/600, 672, 724-728

[56] **References Cited**

**U.S. PATENT DOCUMENTS**

D. 298,752 11/1988 Hoshino ..... D14/109 X

D. 342,237 12/1993 Sharp ..... D14/100  
D. 342,488 12/1993 Kuzumoto et al. .... D14/109  
D. 349,488 8/1994 Aderman et al. .... D14/109

*Primary Examiner*—Freda S. Nunn  
*Attorney, Agent, or Firm*—Robert S. Babayi; Michael J. Buchenhorner

[57] **CLAIM**

The ornamental design for a computer housing, as shown and described.

**DESCRIPTION**

FIG. 1 is a top front right perspective view of a computer housing;  
FIG. 2 is a frontal view of a computer housing on an enlarged scale;  
FIG. 3 is a left side view of a computer housing;  
FIG. 4 is a right side view of a computer housing;  
FIG. 5 is a rear view of a computer housing;  
FIG. 6 is a top view of a computer housing; and,  
FIG. 7 is a bottom view of a computer housing.

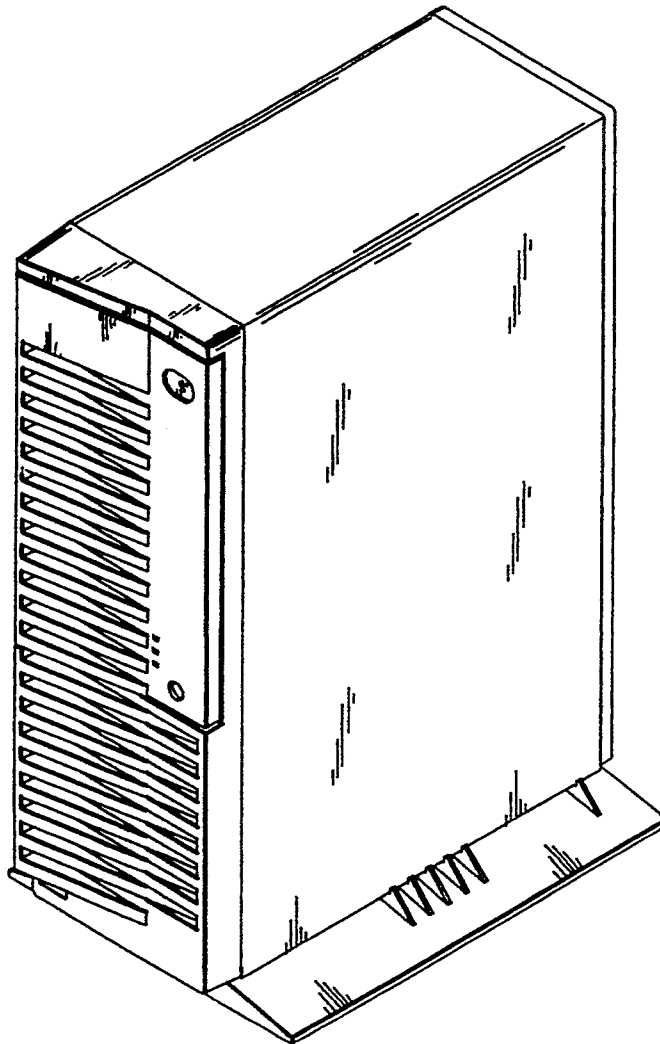
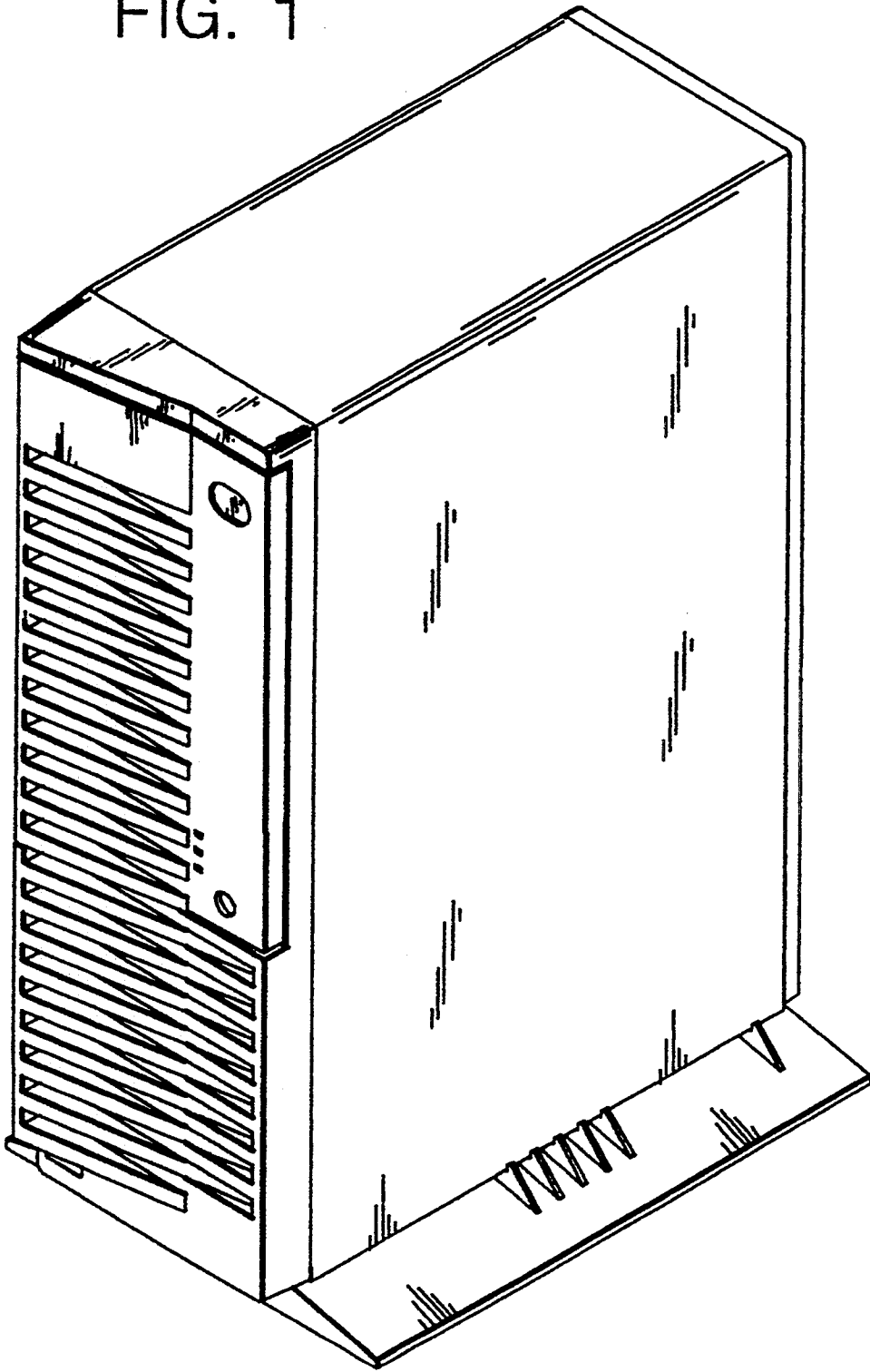


FIG. 1



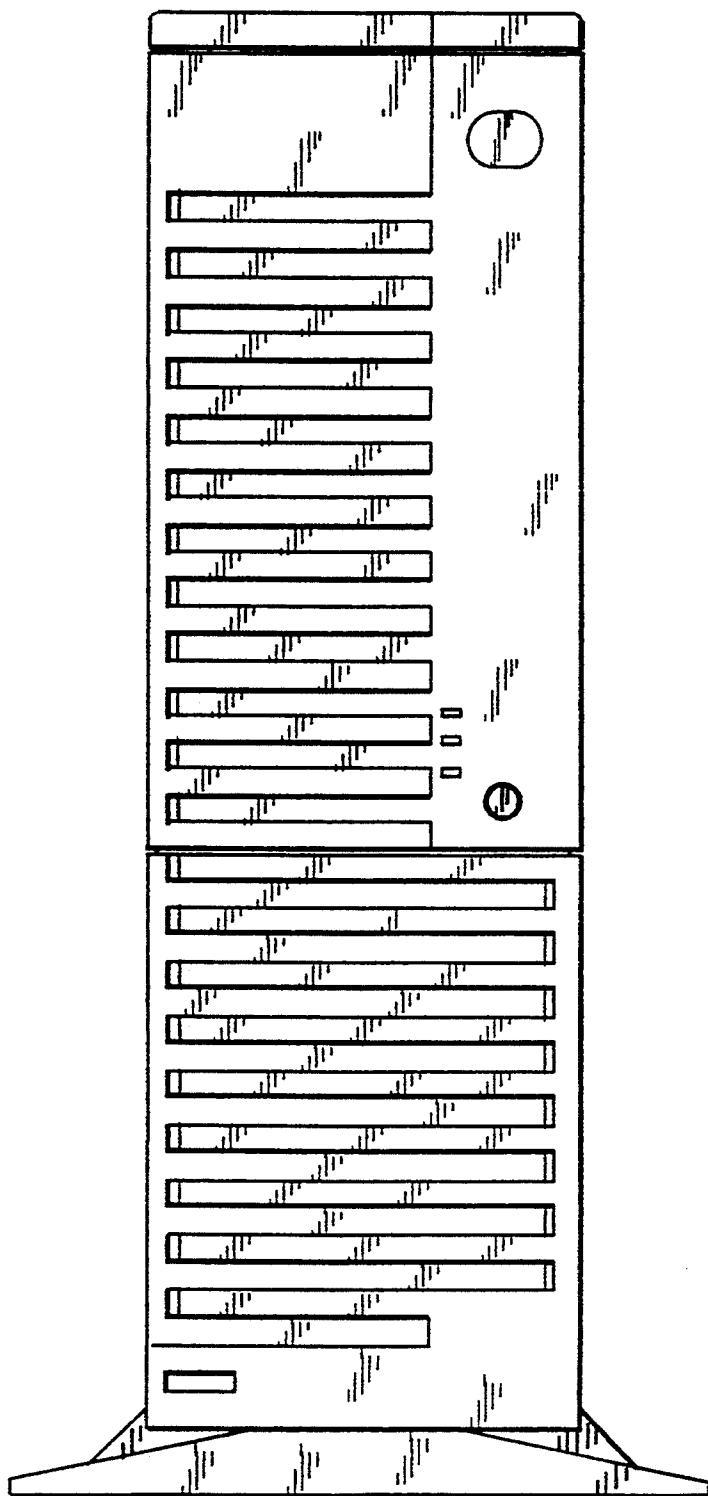


FIG. 2

FIG. 3

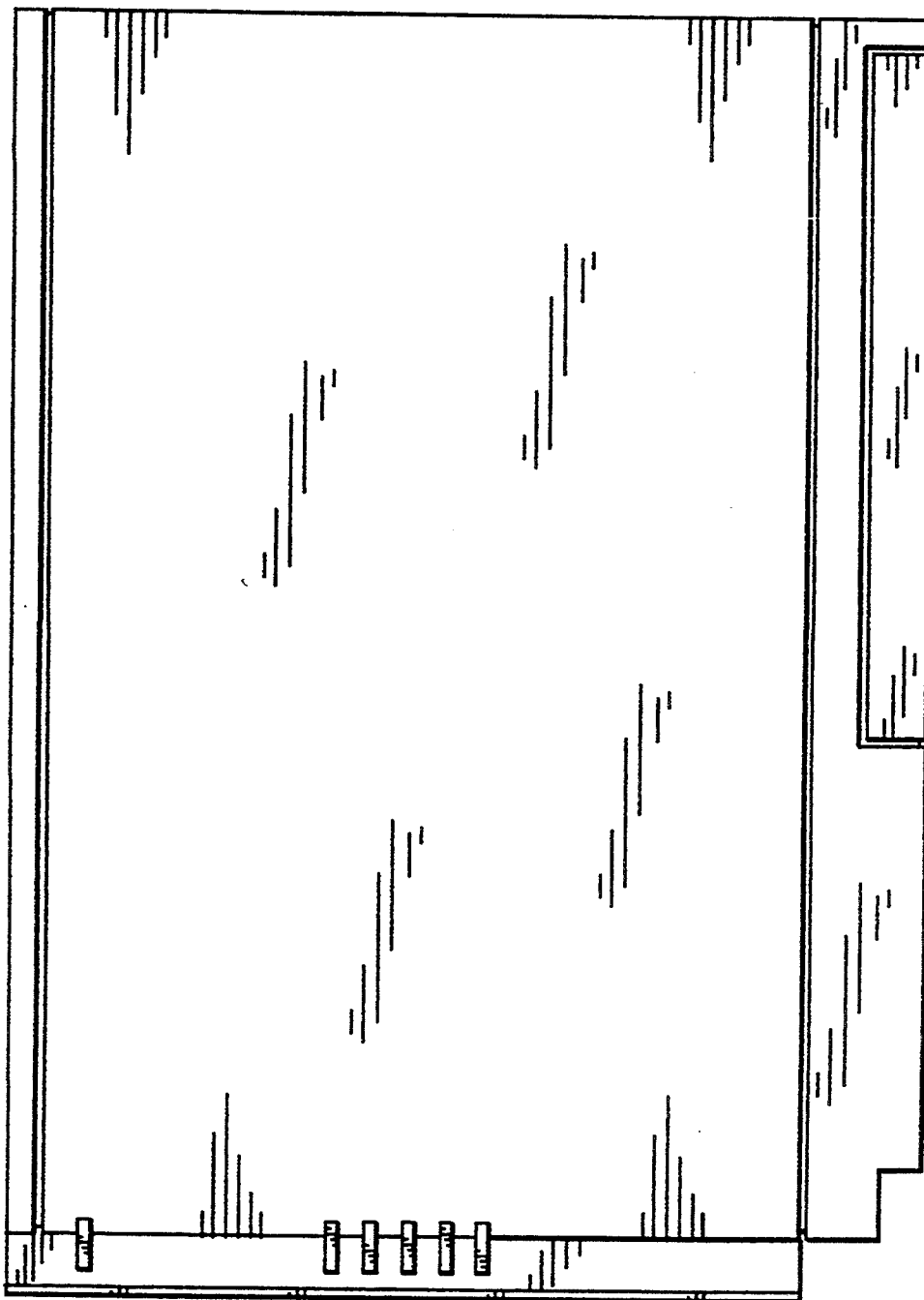
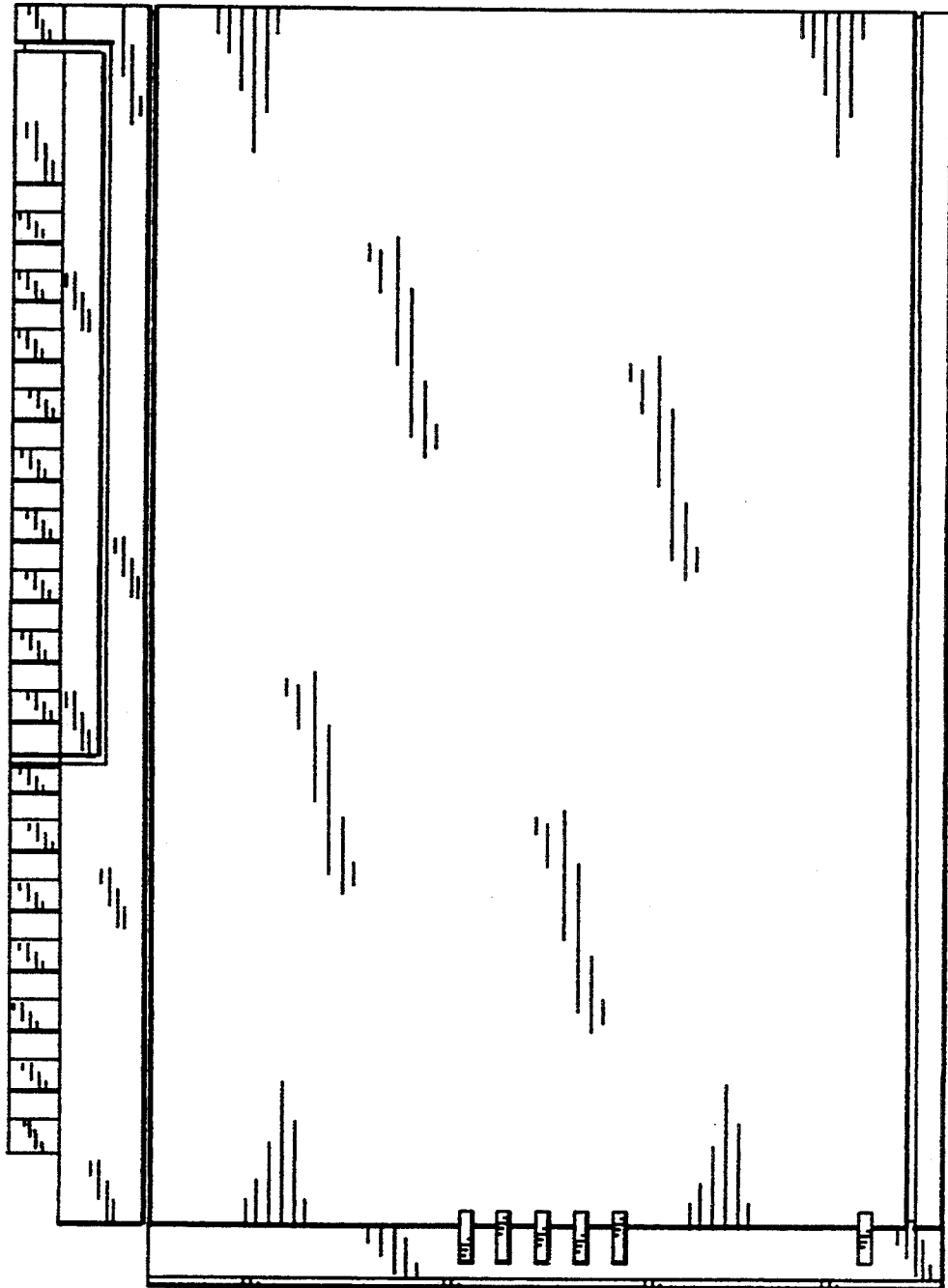


FIG. 4



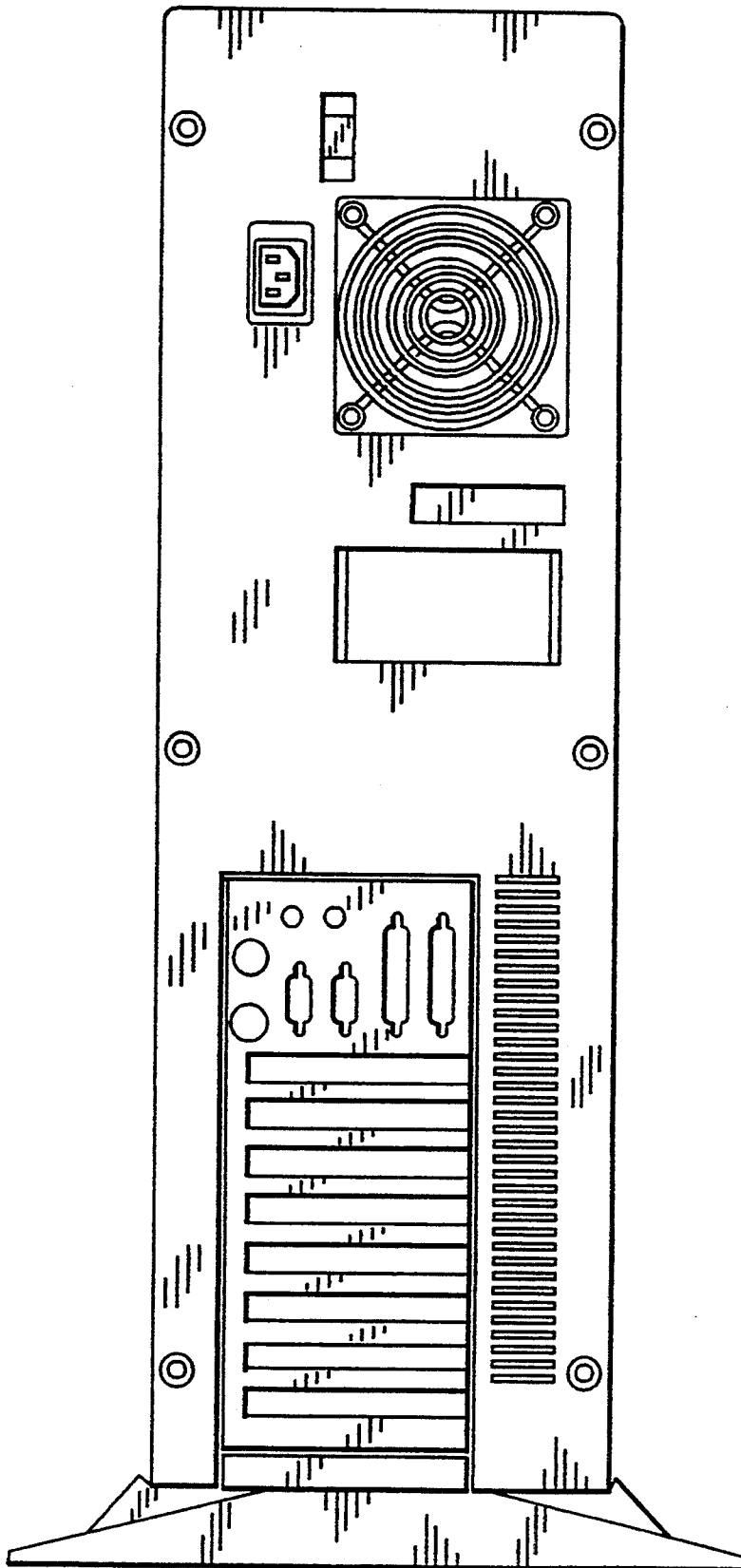


FIG. 5

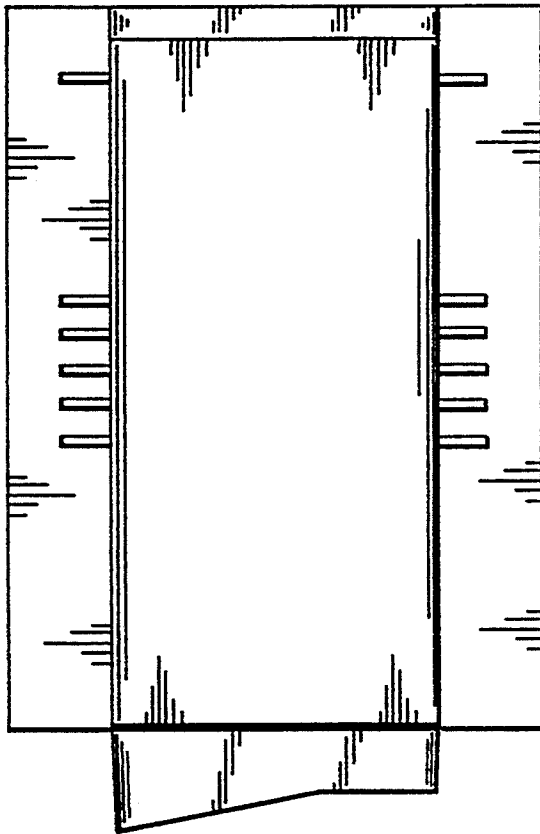


FIG. 6

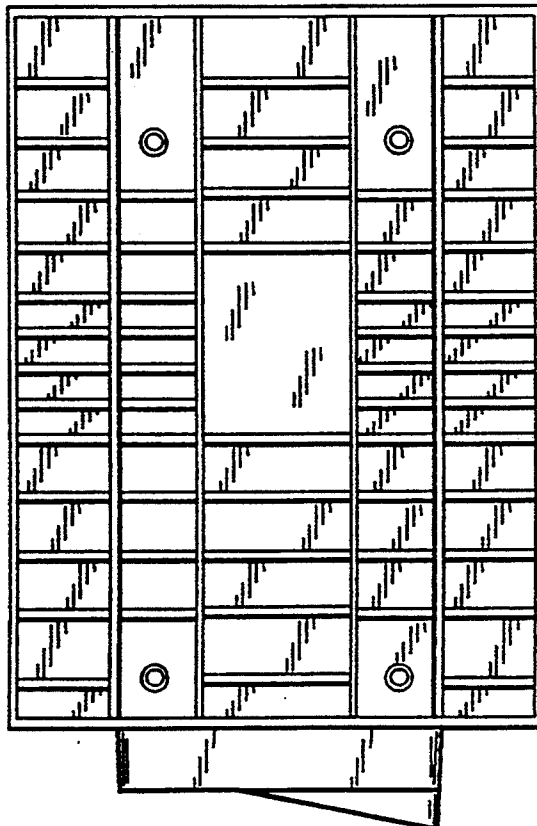


FIG. 7