



US00D331396S

# United States Patent [19]

[11] Patent Number: Des. 331,396

Benck et al.

[45] Date of Patent: \*\* Dec. 1, 1992

[54] SHIELD FOR ELECTROMAGNETIC RADIATION FOR PERSONAL COMPUTER

[56] References Cited

U.S. PATENT DOCUMENTS

4,602,164 7/1986 Gore, III et al. .... 361/394 X  
4,853,790 8/1989 Dickie ..... 174/35 R

[75] Inventors: Jeffrey W. Benck, Delray Beach;  
Brian A. Trumbo, Boynton Beach,  
both of Fla.

Primary Examiner—Stella Reid  
Attorney, Agent, or Firm—Daniel E. McConnell

[73] Assignee: International Business Machines Corp., Armonk, N.Y.

[57] CLAIM

The ornamental design for the shield for electromagnetic radiation for personal computer, as shown and described.

[\*\*] Term: 14 Years

DESCRIPTION

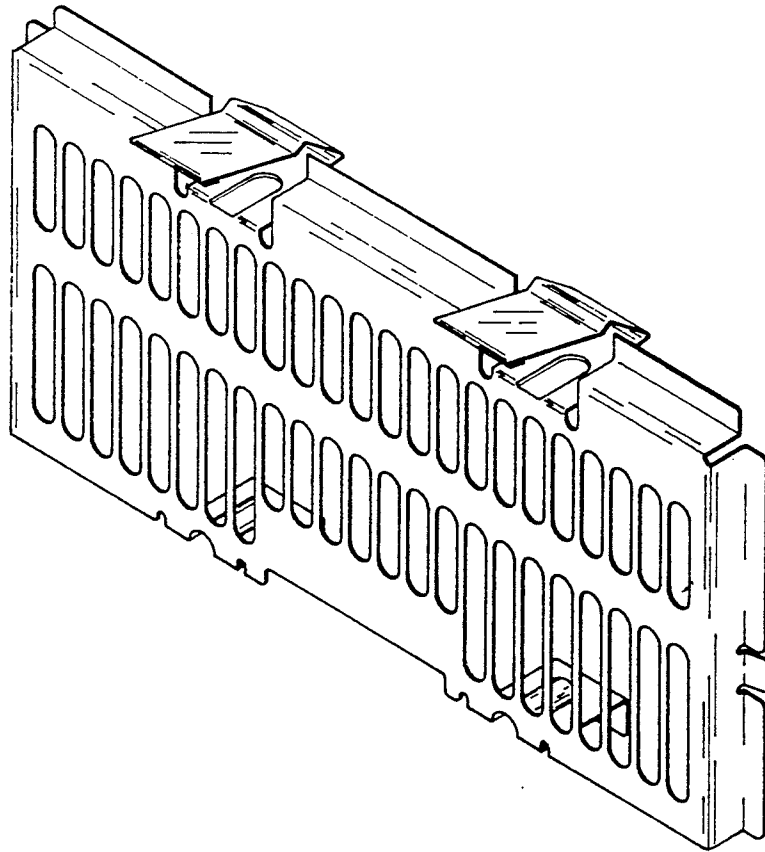
[21] Appl. No.: 525,435

FIG. 1 is a right, top, front perspective view of the shield for electromagnetic radiation for personal computer showing our new design;  
FIG. 2 is a front elevational view thereof;  
FIG. 3 is a left, top, rear perspective view thereof;  
FIG. 4 is a right side elevational view thereof;  
FIG. 5 is a rear elevational view thereof; and,  
FIG. 6 is a top plan view thereof.  
The bottom of the article is substantially plain and unornamented.

[22] Filed: May 18, 1990

[52] U.S. Cl. .... D14/114

[58] Field of Search ..... D14/114; 361/394, 393;  
439/95; 315/85; 358/254; 200/305; D18/1;  
174/35 R, 356 C



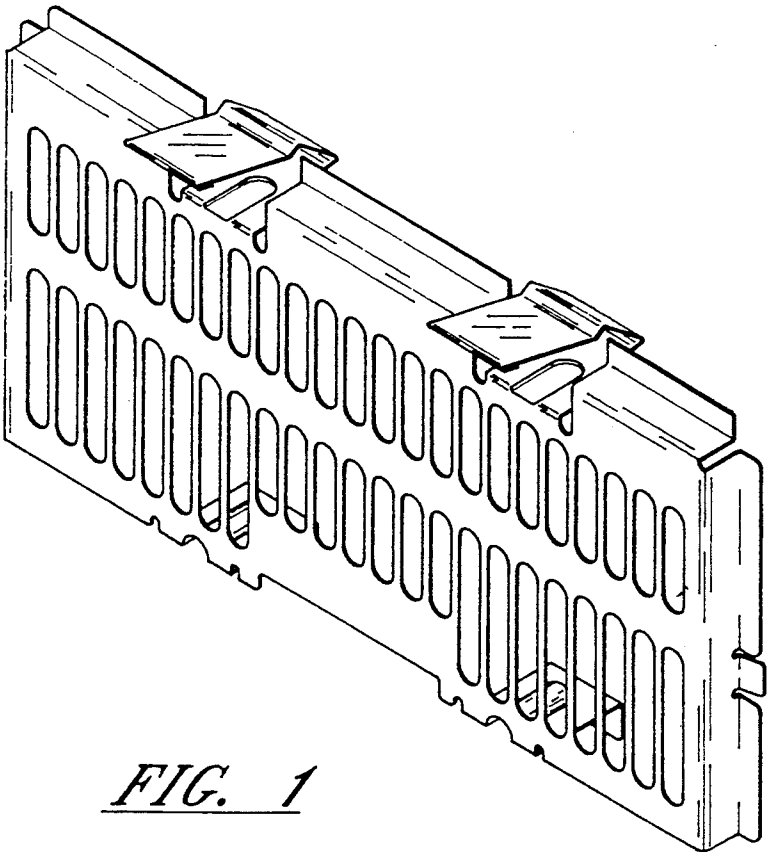


FIG. 1

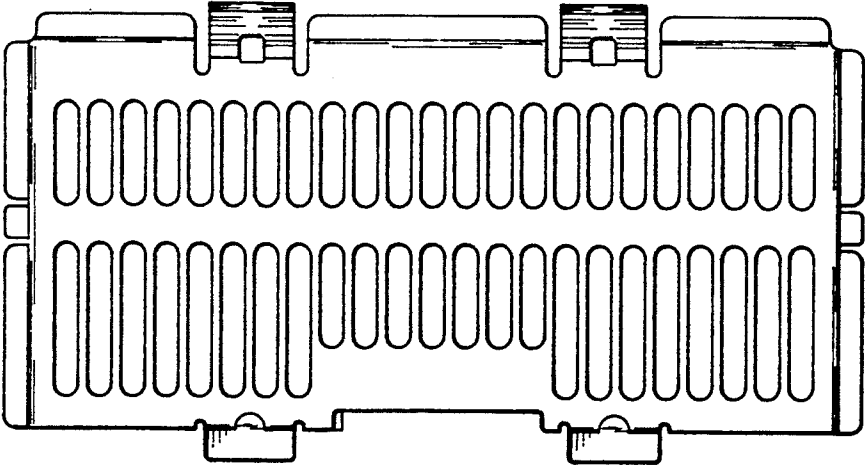
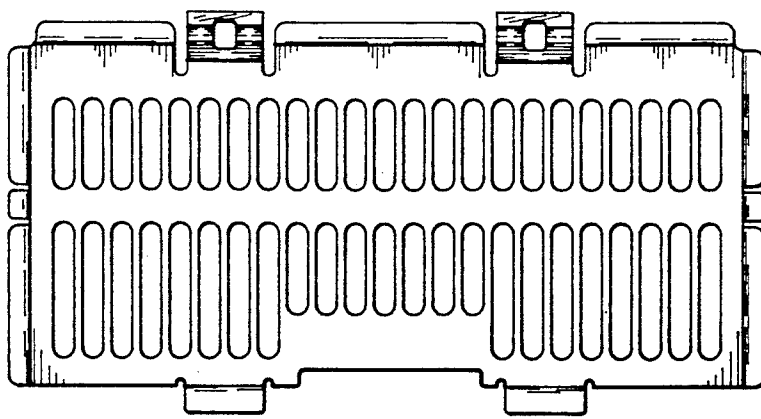
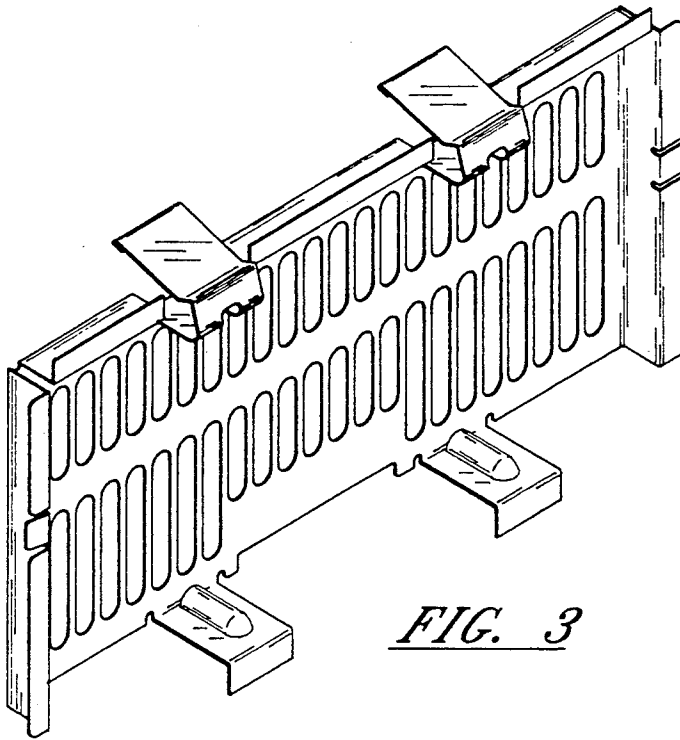
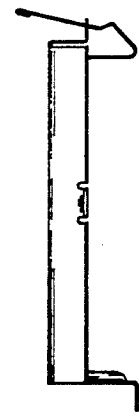


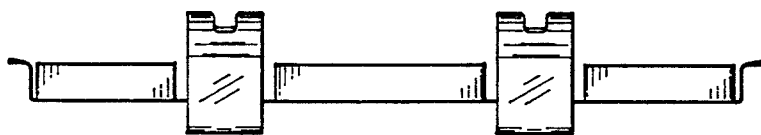
FIG. 2



*FIG. 5*



*FIG. 4*



*FIG. 6*