

[54] COMPUTER DISPLAY

[75] Inventors: Robert E. Steinbugler, Raleigh, N.C.; Richard Sapper, Montagnola, Switzerland; Timothy D. Wetzel, Santa Clara, Calif.; Roger C. Williams, Raleigh, N.C.

[73] Assignee: International Business Machines Corporation, Armonk, N.Y.

[**] Term: 14 Years

[21] Appl. No.: 390,261

[22] Filed: Aug. 7, 1989

[52] U.S. Cl. D14/113

[58] Field of Search D14/100, 101, 106, 113, D14/115, 124-126; D18/1, 11, 12, 4; 235/145 A, 145 R; 340/700, 706, 711, 712; 341/22, 23, 26; 358/248, 249, 254; 364/706-710.14; 312/208

[56] References Cited

U.S. PATENT DOCUMENTS

- D. 302,152 7/1989 Alfonso et al. D14/113
- D. 304,179 10/1989 Beaton et al. D14/113
- D. 304,719 11/1989 Leung D14/113

- D. 305,755 1/1990 Suyama et al. D14/113
- D. 308,053 5/1990 Peart D14/113
- D. 308,196 5/1990 Willnauer D14/113
- D. 311,180 10/1990 Schaum D14/113

Primary Examiner—Wallace R. Burke
Assistant Examiner—Freda S. Nunn
Attorney, Agent, or Firm—Gerald R. Woods

[57] CLAIM

The ornamental design for a computer display, as shown and described.

DESCRIPTION

FIG. 1 is a top, front right side perspective view of a computer display showing our new design; FIG. 2 is a front elevational view thereof, on an enlarged scale; FIG. 3 is a right side elevational view thereof, on an enlarged scale; FIG. 4 is a left side elevational view thereof, on an enlarged scale; FIG. 5 is a top plan view thereof, on an enlarged scale; FIG. 6 is a rear elevational view thereof on an enlarged scale; FIG. 7 is a bottom plan view thereof, on an enlarged scale.

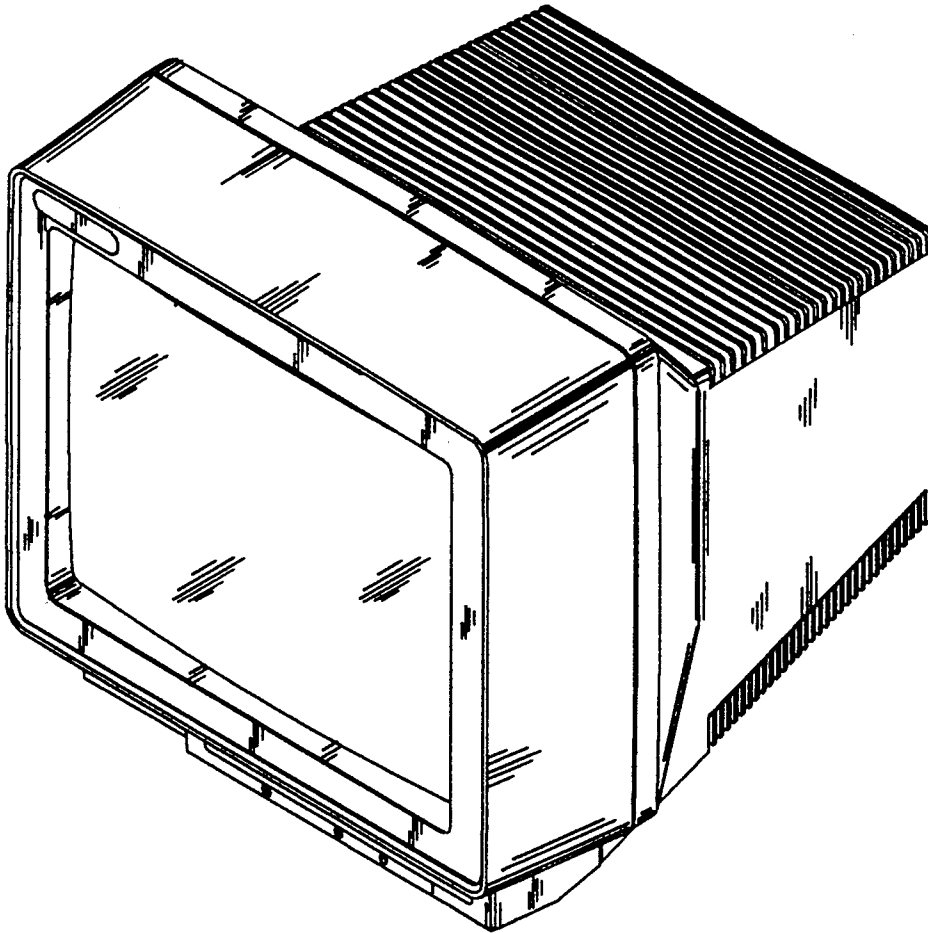
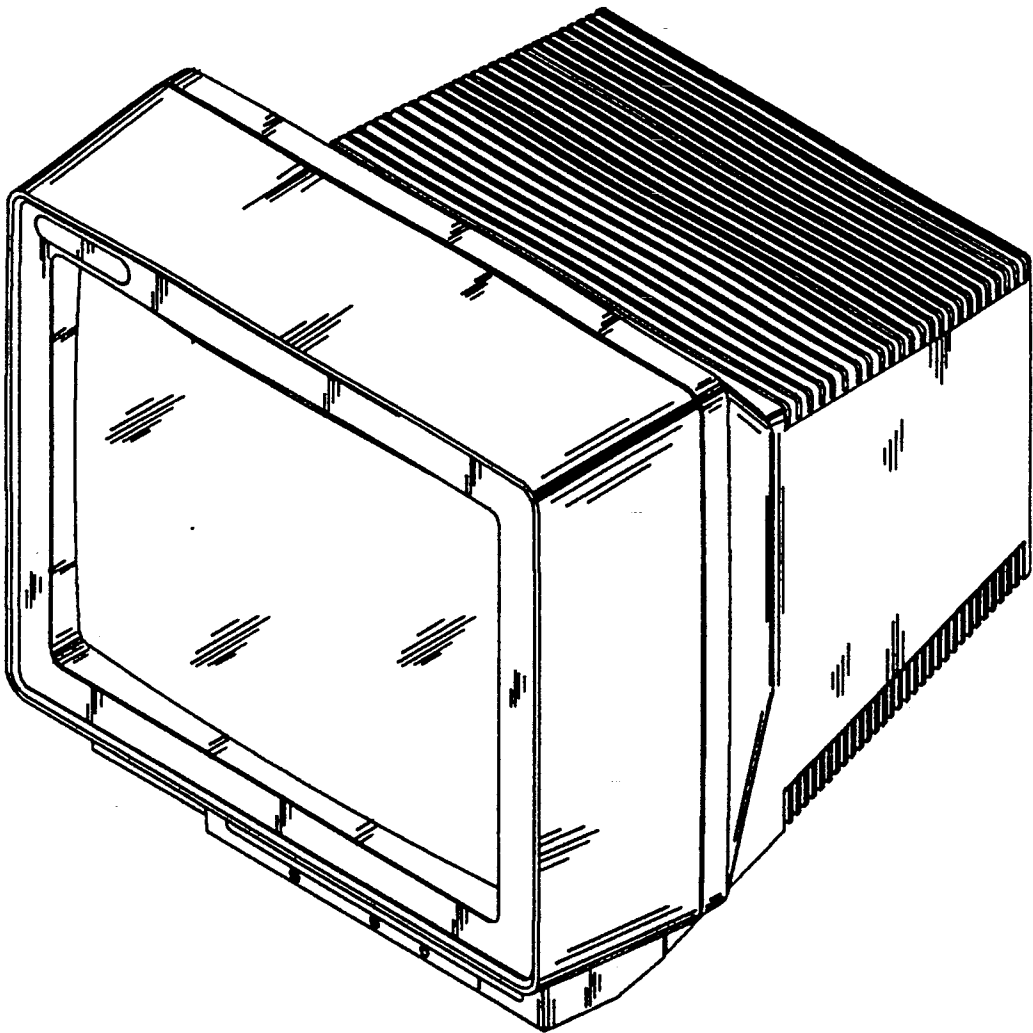


FIG. 1



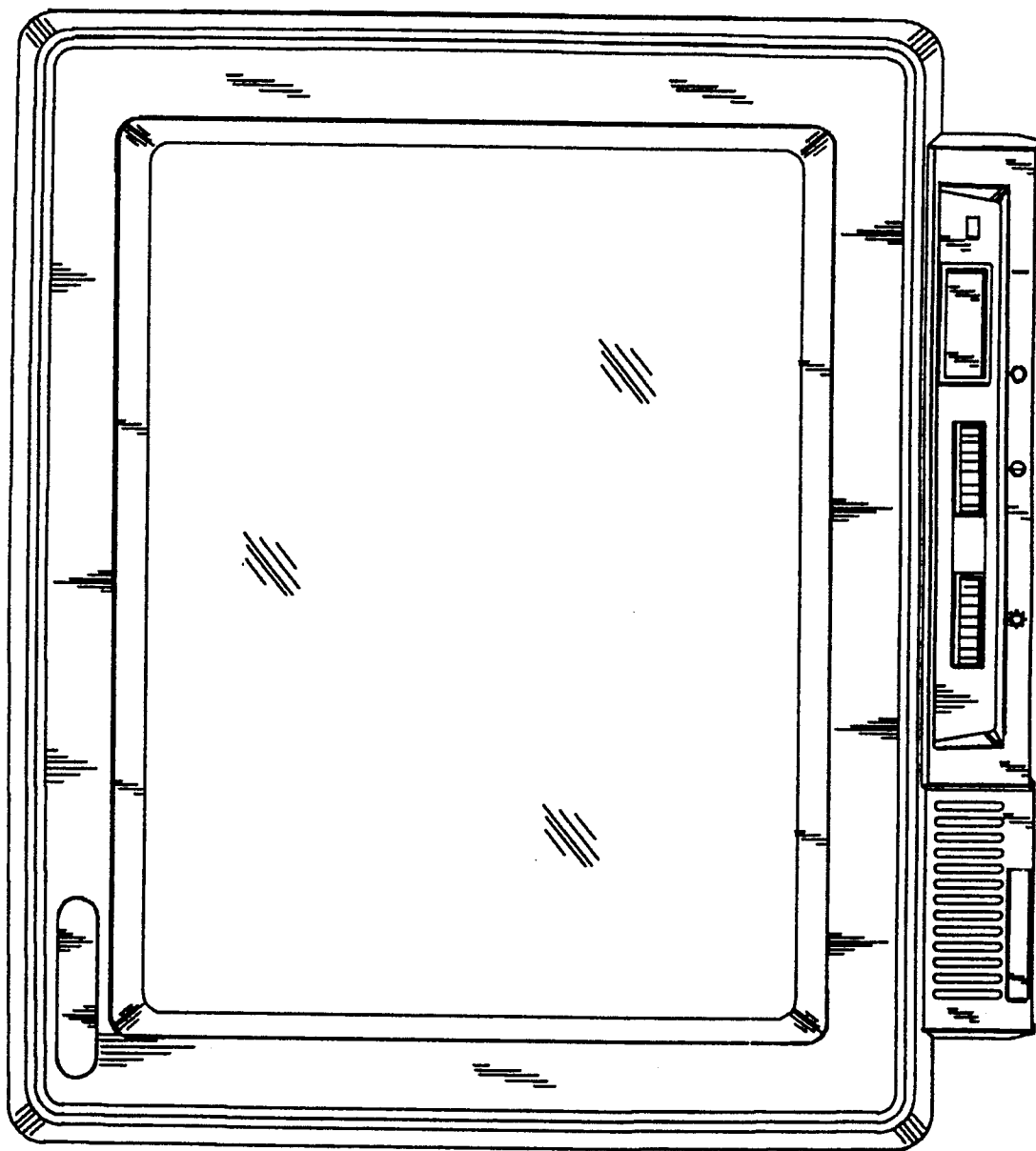


FIG. 2

FIG 3

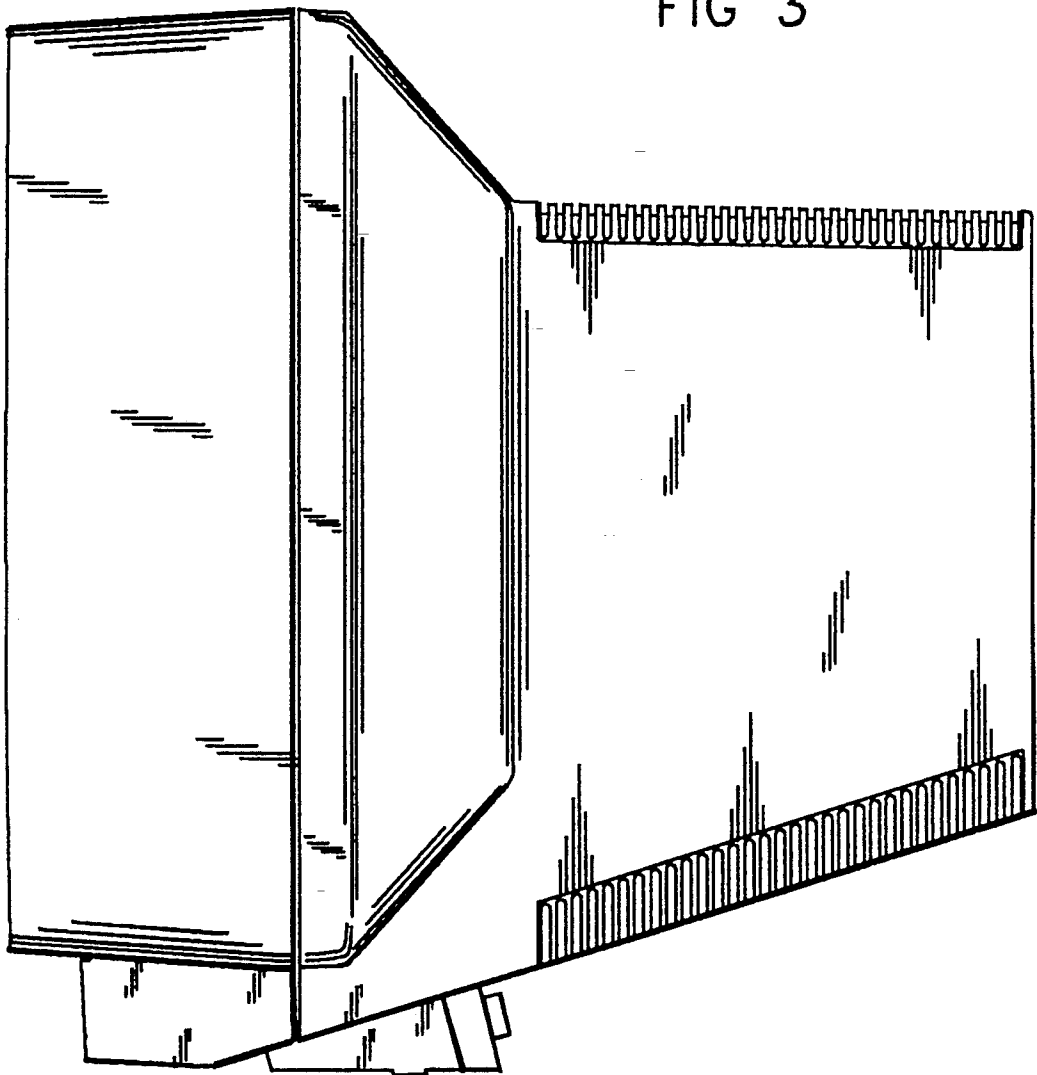


FIG 4

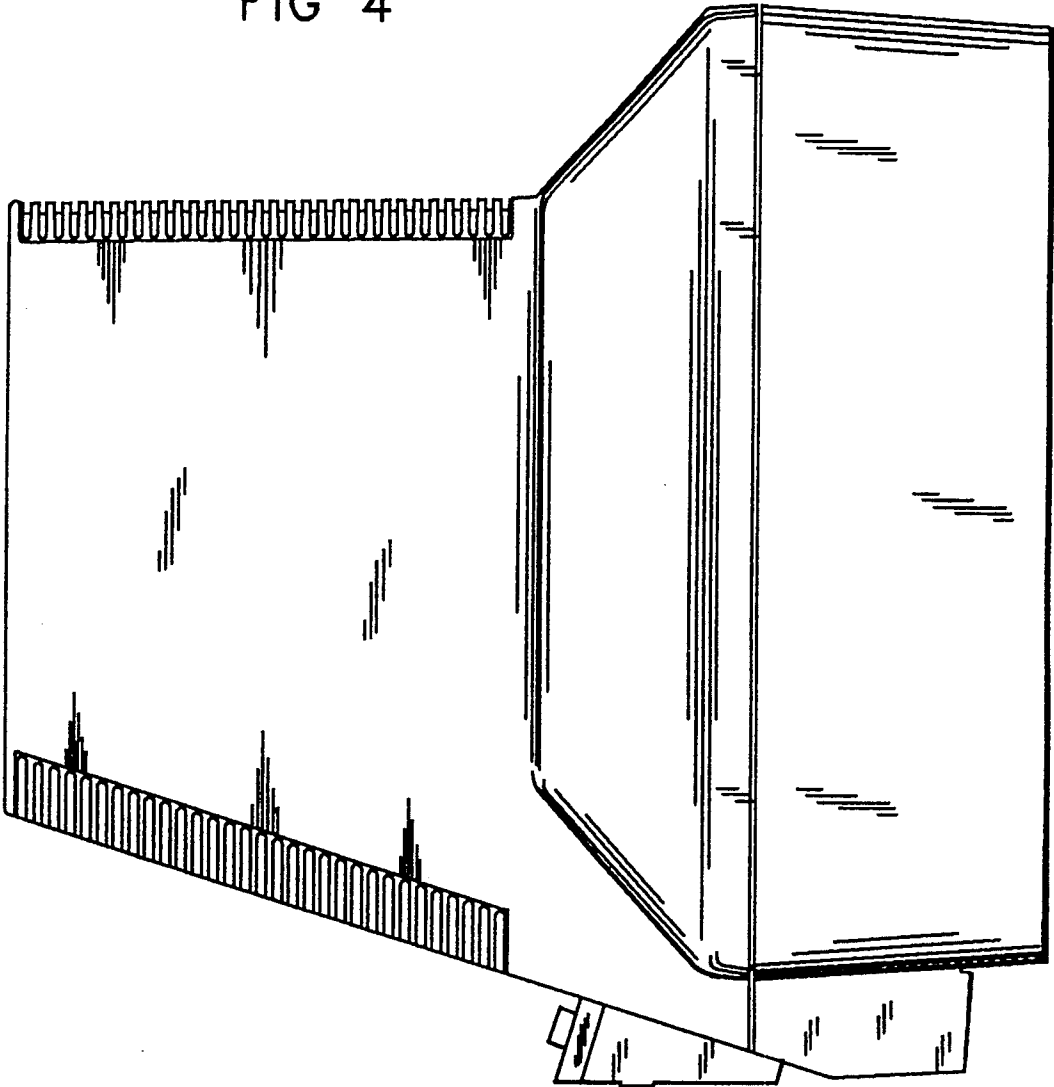
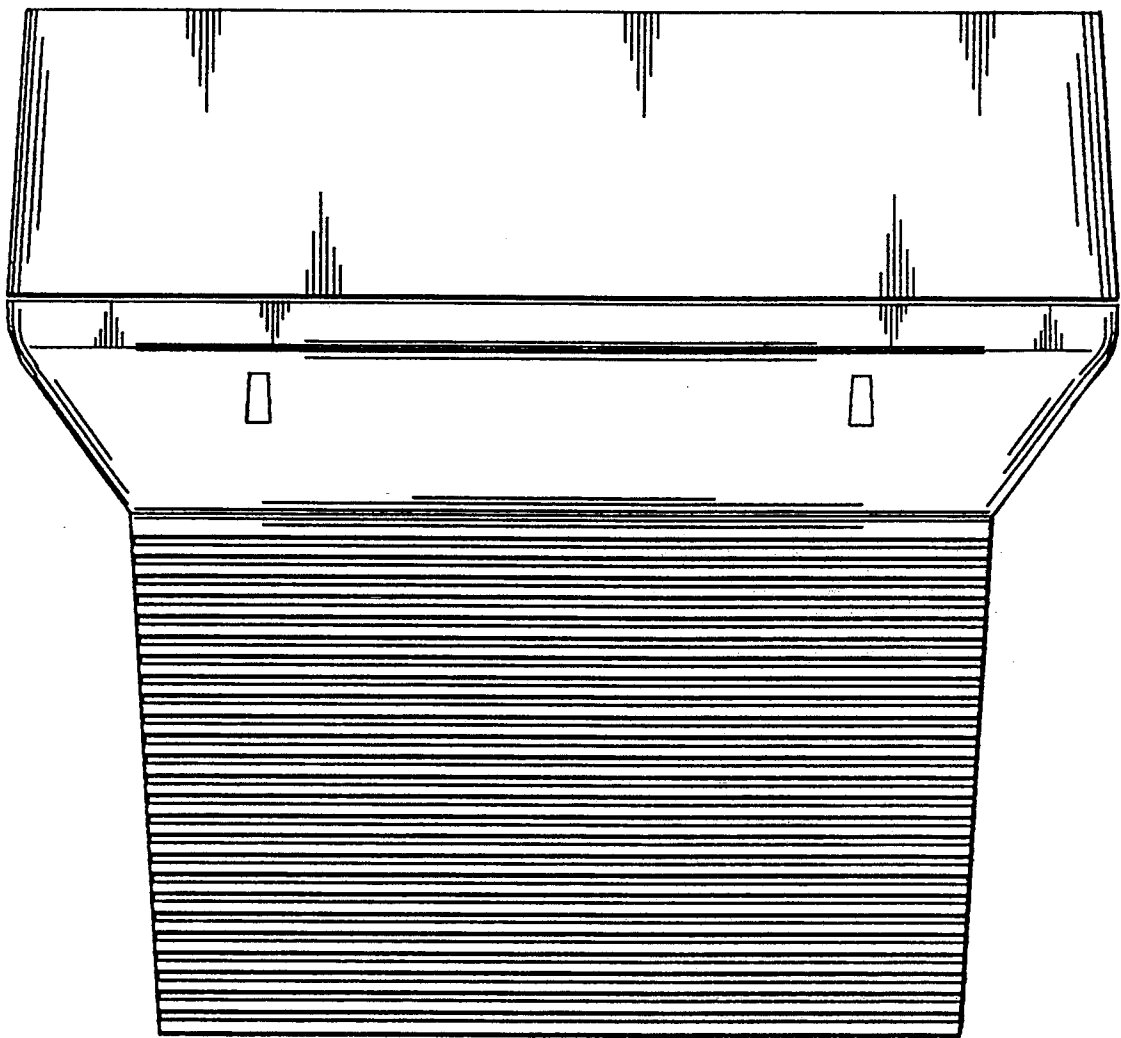


FIG. 5



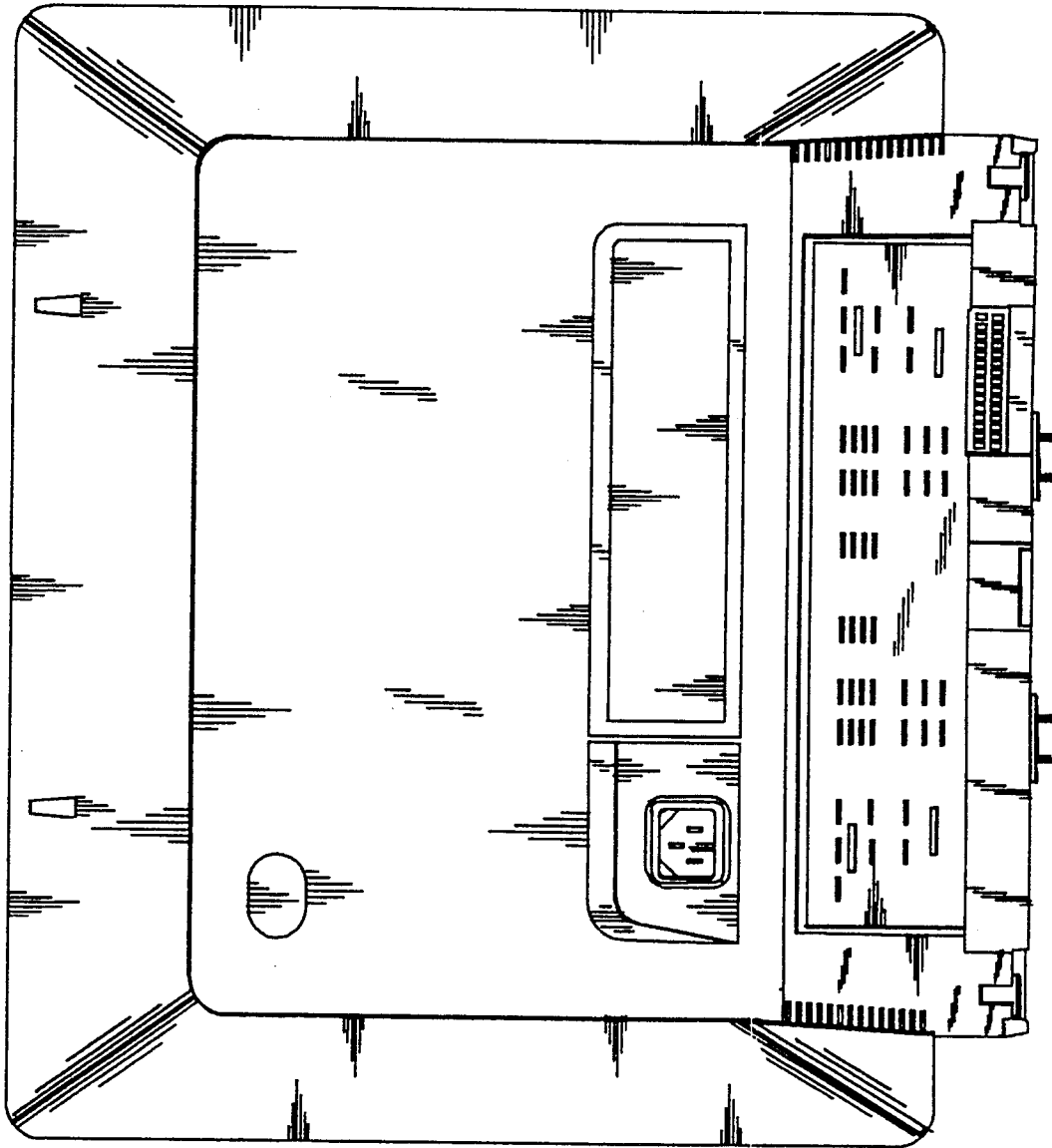


FIG. 6

FIG. 7

