



PENTIUM® PROCESSOR at iCOMP® INDEX 610\75 MHZ

- **Compatible with Large Software Base**
 - MS-DOS*, Windows*, OS/2*, UNIX*
- **32-Bit CPU with 64-Bit Data Bus**
- **Superscalar Architecture**
 - Two Pipelined Integer Units Are Capable of 2 Instructions/Clock
 - Pipelined Floating Point Unit
- **Separate Code and Data Caches**
 - 8K Code, 8K Writeback Data
 - MESI Cache Protocol
- **Advanced Design Features**
 - Branch Prediction
 - Virtual Mode Extensions
- **3.3V BiCMOS Silicon Technology**
- **4M Pages for Increased TLB Hit Rate**
- **IEEE 1149.1 Boundary Scan**
- **Internal Error Detection Features**
- **SL Enhanced Power Management Features**
 - System Management Mode
 - Clock Control
- **Fractional Bus Operation**
 - 75-MHz Core / 50-MHz Bus

The Pentium® processor is fully compatible with the entire installed base of applications for DOS*, Windows*, OS/2*, and UNIX*, and all other software that runs on any earlier Intel 8086 family product. The Pentium processor's superscalar architecture can execute two instructions per clock cycle. Branch prediction and separate caches also increase performance. The pipelined floating-point unit delivers workstation level performance. Separate code and data caches reduce cache conflicts while remaining software transparent. The Pentium processor (610\75) has 3.3 million transistors, is built on Intel's advanced 3.3V BiCMOS silicon technology, and has full SL Enhanced power management features, including System Management Mode (SMM) and clock control. The additional SL Enhanced features, 3.3V operation, and the TCP package, which are not available in the Pentium processor (510\60, 567\66), make the Pentium processor (610\75) TCP ideal for enabling mobile Pentium processor designs. The Pentium processor may contain design defects or errors known as errata which may cause the product to deviate from published specifications. Current characterized errata are available upon request.





CONTENTS

PAGE	PAGE
1.0. INTRODUCTION.....	2
1.1. Pentium® Processor (610\75) SPGA Specifications and Differences from the TCP Package.....	2
2.0. MICROPROCESSOR ARCHITECTURE OVERVIEW	3
2.1. Pentium® Processor Family Architecture.....	4
3.0. TCP PINOUT.....	7
3.1. TCP Pinout and Pin Descriptions.....	7
3.1.1. Pentium® Processor (610\75) TCP PINOUT	7
3.1.2. PIN CROSS REFERENCE TABLE FOR Pentium® Processor (610\75) TCP.....	8
3.2. Design Notes.....	10
3.3. Quick Pin Reference.....	10
3.4. Pin Reference Tables.....	19
3.5. Pin Grouping According to Function.....	22
4.0. Pentium® Processor (610\75) TCP ELECTRICAL SPECIFICATIONS.....	23
4.1. Maximum Ratings.....	23
4.2. DC Specifications.....	23
4.3. AC Specifications.....	25
4.3.1. POWER AND GROUND.....	25
4.3.2. DECOUPLING RECOMMENDATIONS.....	25
4.3.3. CONNECTION SPECIFICATIONS	26
4.3.4. AC TIMINGS FOR A 50-MHZ BUS.....	26
4.4. I/O Buffer Models.....	35
4.4.1. BUFFER MODEL PARAMETERS.....	38
4.4.2. SIGNAL QUALITY SPECIFICATIONS.....	39
4.4.2.1. Ringback.....	40
4.4.2.2. Settling Time.....	40
5.0. Pentium® Processor (610\75) TCP MECHANICAL SPECIFICATIONS.....	42
5.1. TCP Package Mechanical Diagrams.....	42
6.0. Pentium® Processor (610\75) TCP THERMAL SPECIFICATIONS.....	47
6.1. Measuring Thermal Values.....	47
6.2. Thermal Equations.....	47
6.3. TCP Thermal Characteristics.....	47
6.4. PC Board Enhancements.....	47
6.4.1. STANDARD TEST BOARD CONFIGURATION	48

Information in this document is provided in connection with Intel products. No license, express or implied, by estoppel or otherwise, to any intellectual property rights is granted by this document. Except as provided in Intel's Terms and Conditions of Sale for such products, Intel assumes no liability whatsoever, and Intel disclaims any express or implied warranty, relating to sale and/or use of Intel products including liability or warranties relating to fitness for a particular purpose, merchantability, or infringement of any patent, copyright or other intellectual property right. Intel products are not intended for use in medical, life saving, or life sustaining applications.

Intel may make changes to specifications and product descriptions at any time, without notice.

Designers must not rely on the absence or characteristics of any features or instructions marked "reserved" or "undefined." Intel reserves these for future definition and shall have no responsibility whatsoever for conflicts or incompatibilities arising from future changes to them.

The Pentium® processor may contain design defects or errors known as errata which may cause the product to deviate from published specifications. Current characterized errata are available on request.

Contact your local Intel sales office or your distributor to obtain the latest specifications and before placing your product order.

Copies of documents which have an ordering number and are referenced in this document, or other Intel literature, may be obtained from:

Intel Corporation
P.O. Box 7641
Mt. Prospect IL 60056-7641

or call 1-800-879-4683
or visit Intel's website at <http://www.intel.com>

Copyright © Intel Corporation 1996, 1997.

* Third-party brands and names are the property of their respective owners.

1.0. INTRODUCTION

Intel is now manufacturing its latest version of the Pentium® processor family that is designed specifically for mobile systems, with a core frequency of 75 MHz and a bus frequency of 50 MHz. The Pentium processor (610\75) is provided in the TCP (Tape Carrier Package) and SPGA packages, and has all of the advanced features of the Pentium processor (735\90, 815\100).

The new Pentium processor (610\75) TCP package has several features which allow high-performance notebooks to be designed with the Pentium processor, including the following:

- TCP package dimensions are ideal for small form-factor designs.
- The TCP package has superior thermal resistance characteristics.
- 3.3V V_{CC} reduces power consumption by half (in both the TCP and SPGA packages).
- The SL Enhanced feature set, which was initially implemented in the Intel486™ CPU.

The architecture and internal features of the Pentium processor (610\75) TCP and SPGA packages are identical to those of the Pentium processor (735\90, 815\100), although several features have been eliminated for the Pentium processor (610\75) TCP, as described in section 1.1.

This document should be used in conjunction with the Pentium processor documents listed below.

List of related documents:

- *Pentium® Processor Family Developer's Manual, Vol. 1* (Order Number: 241428)
- *Pentium® Processor Family Developer's Manual, Vol. 3: Architecture and Programming Manual* (Order Number: 241430)

1.1. Pentium® Processor (610\75) SPGA Specifications and Differences from the TCP Package

This section provides references to the Pentium processor (610\75) SPGA specifications and describes the major differences between the Pentium processor (610\75) SPGA and TCP packages.

All Pentium processor (610\75) SPGA specifications, with the exception of power consumption, are identical to the Pentium processor (735\90, 815\100) specifications provided in the *Pentium® Processor Family Developer's Manual, Volume 1*. See Tables 8 and 11 in section 4.2 for the Pentium processor (610\75) SPGA and TCP power specifications.

The following features have been eliminated for the Pentium processor (610\75) TCP: the Upgrade feature, the Dual Processing (DP) feature, and the Master/Checker functional redundancy feature. Table 1 lists the corresponding pins which exist on the Pentium processor (610\75) SPGA but have been removed on the Pentium processor (610\75) TCP.

Table 1. SPGA Signals Removed in TCP

Signal	Function
ADSC#	Additional Address Status. This signal is mainly used for large or standalone L2 cache memory subsystem support required for high-performance desktop or server models.
BRDYC#	Additional Burst Ready. This signal is mainly used for large or standalone L2 cache memory subsystem support required for high-performance desktop or server models.
CPUTYP	CPU Type. This signal is used for dual processing systems.
D/P#	Dual/Primary processor identification. This signal is only used for an Upgrade processor.
FRCMC#	Functional Redundancy Checking. This signal is only used for error detection via processor redundancy, and requires two Pentium processors (master/checker).
PBGNT#	Private Bus Grant. This signal is only used for dual processing systems.
PBREQ#	Private Bus Request. This signal is used only for dual processing systems.
PHIT#	Private Hit. This signal is only used for dual processing systems.
PHITM#	Private Modified Hit. This signal is only used for dual processing systems.

The I/O buffer models provided in section 4.4 of this document apply to both the Pentium processor (610\75) TCP and SPGA packages, although the capacitance (C_p) and inductance (L_p) parameter values differ between the two packages. Also, the thermal parameters, $T_{CASE\ max}$ and θ_{CA} , differ between the TCP and SPGA packages. For Pentium processor (610\75) SPGA values, refer to Chapters 24 and 26 of the *Pentium® Processor Family Developer's Manual, Volume 1*.

2.0. MICROPROCESSOR ARCHITECTURE OVERVIEW

The Pentium processor at iCOMP® rating 610\75 MHz extends the Intel Pentium family of microprocessors. It is compatible with the 8086/88, 80286, Intel386™ DX CPU, Intel386 SX CPU, Intel486™ DX CPU, Intel486 SX CPU, Intel486 DX2 CPUs, the Pentium processor at iCOMP Index 510\60 MHz and iCOMP Index 567\66 MHz, and the Pentium processor at iCOMP Index 735\90 MHz and iCOMP Index 815\100 MHz.

The Pentium processor family consists of the new Pentium processor at iCOMP rating 610\75 MHz, described in this document, the original Pentium processor (510\60, 567\66), and the Pentium processor (735\90, 815\100). The name "Pentium

processor (610\75)" will be used in this document to refer to the Pentium processor at iCOMP rating 610\75 MHz. "Pentium Processor" will be used in this document to refer to the entire Pentium processor family in general.

The Pentium processor family architecture contains all of the features of the Intel486 CPU family, and provides significant enhancements and additions including the following:

- Superscalar Architecture
- Dynamic Branch Prediction
- Pipelined Floating-Point Unit
- Improved Instruction Execution Time
- Separate 8K Code and 8K Data Caches
- Writeback MESI Protocol in the Data Cache
- 64-Bit Data Bus
- Bus Cycle Pipelining
- Address Parity
- Internal Parity Checking
- Execution Tracing
- Performance Monitoring
- IEEE 1149.1 Boundary Scan
- System Management Mode

- Virtual Mode Extensions

2.1. Pentium® Processor Family Architecture

The application instruction set of the Pentium processor family includes the complete Intel486 CPU family instruction set with extensions to accommodate some of the additional functionality of the Pentium processors. All application software written for the Intel386 and Intel486 family microprocessors will run on the Pentium processors without modification. The on-chip memory management unit (MMU) is completely compatible with the Intel386 family and Intel486 family of CPUs.

The Pentium processors implement several enhancements to increase performance. The two instruction pipelines and floating-point unit on Pentium processors are capable of independent operation. Each pipeline issues frequently used instructions in a single clock. Together, the dual pipes can issue two integer instructions in one clock, or one floating point instruction (under certain circumstances, two floating-point instructions) in one clock.

Branch prediction is implemented in the Pentium processors. To support this, Pentium processors implement two prefetch buffers, one to prefetch code in a linear fashion, and one that prefetches code according to the BTB so the needed code is almost always prefetched before it is needed for execution.

The floating-point unit has been completely redesigned over the Intel486 CPU. Faster algorithms provide up to 10X speed-up for common operations including add, multiply, and load.

Pentium processors include separate code and data caches integrated on-chip to meet performance goals. Each cache is 8 Kbytes in size, with a 32-byte line size and is 2-way set associative. Each cache has a dedicated Translation Lookaside Buffer (TLB) to translate linear addresses to physical addresses. The data cache is configurable to be

writeback or writethrough on a line-by-line basis and follows the MESI protocol. The data cache tags are triple ported to support two data transfers and an inquire cycle in the same clock. The code cache is an inherently write-protected cache. The code cache tags are also triple ported to support snooping and split line accesses. Individual pages can be configured as cacheable or non-cacheable by software or hardware. The caches can be enabled or disabled by software or hardware.

The Pentium processors have increased the data bus to 64 bits to improve the data transfer rate. Burst read and burst writeback cycles are supported by the Pentium processors. In addition, bus cycle pipelining has been added to allow two bus cycles to be in progress simultaneously. The Pentium processors' Memory Management Unit contains optional extensions to the architecture which allow 2-Mbyte and 4-Mbyte page sizes.

The Pentium processors have added significant data integrity and error detection capability. Data parity checking is still supported on a byte-by-byte basis. Address parity checking, and internal parity checking features have been added along with a new exception, the machine check exception.

As more and more functions are integrated on chip, the complexity of board level testing is increased. To address this, the Pentium processors have increased test and debug capability. The Pentium processors implement IEEE Boundary Scan (Standard 1149.1). In addition, the Pentium processors have specified 4 breakpoint pins that correspond to each of the debug registers and externally indicate a breakpoint match. Execution tracing provides external indications when an instruction has completed execution in either of the two internal pipelines, or when a branch has been taken.

System Management Mode (SMM) has been implemented along with some extensions to the SMM architecture. Enhancements to the virtual 8086 mode have been made to increase performance by reducing the number of times it is necessary to trap to a virtual 8086 monitor.

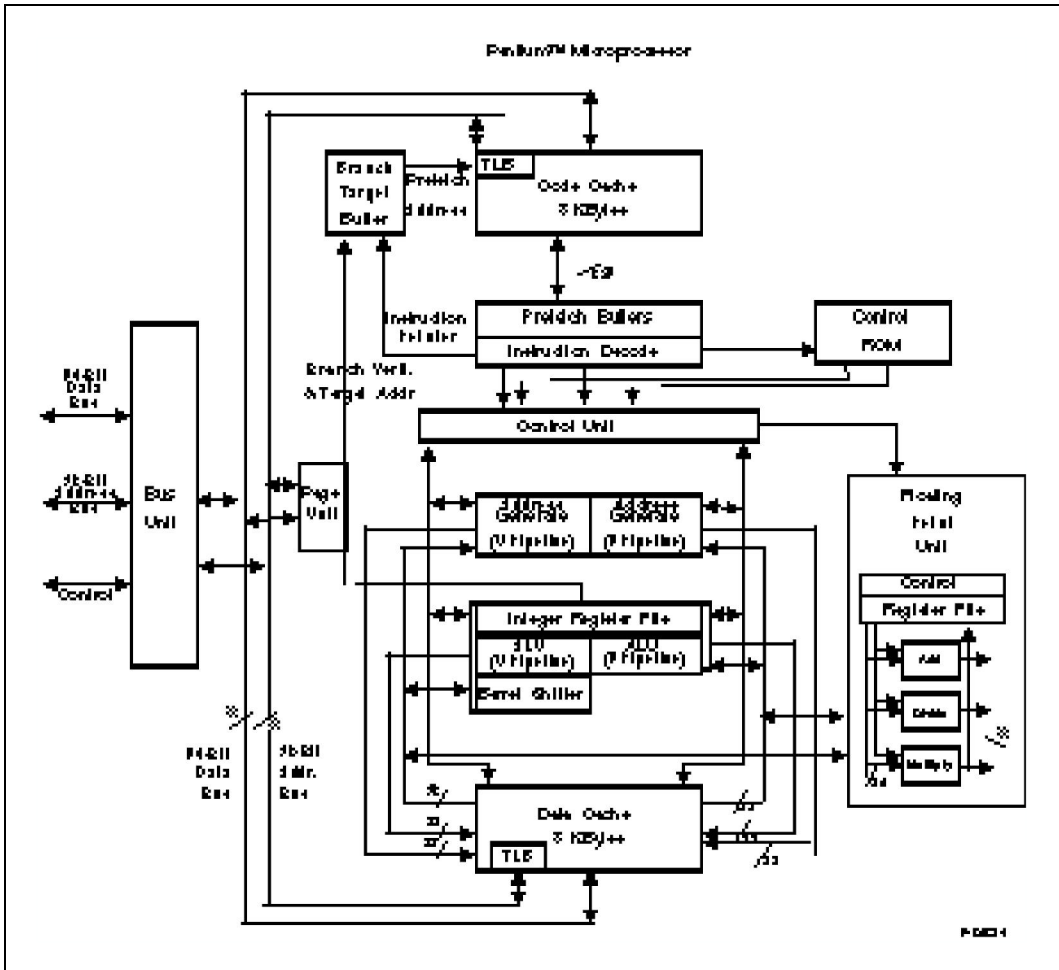


Figure 1. Pentium® Processor Block Diagram

The block diagram shows the two instruction pipelines, the "u" pipe and the "v" pipe. The u-pipe can execute all integer and floating point instructions. The v-pipe can execute simple integer instructions and the FXCH floating-point instructions.

The separate caches are shown, the code cache and data cache. The data cache has two ports, one for each of the two pipes (the tags are triple ported to allow simultaneous inquire cycles). The data cache has a dedicated Translation Lookaside Buffer (TLB) to translate linear addresses to the physical addresses used by the data cache.

The code cache, branch target buffer and prefetch buffers are responsible for getting raw instructions into the execution units of the Pentium processor. Instructions are fetched from the code cache or from the external bus. Branch addresses are

remembered by the branch target buffer. The code cache TLB translates linear addresses to physical addresses used by the code cache.

The decode unit decodes the prefetched instructions so the Pentium processor can execute the instruction. The control ROM contains the microcode which controls the sequence of operations that must be performed to implement the Pentium processor architecture. The control ROM unit has direct control over both pipelines.

The Pentium processors contain a pipelined floating-point unit that provides a significant floating-point performance advantage over previous generations of processors.

The architectural features introduced in this section are more fully described in the *Pentium® Processor Family Developer's Manual*.

3.0. TCP PINOUT

3.1. TCP Pinout and Pin Descriptions

3.1.1. Pentium® Processor (610/75) TCP PINOUT

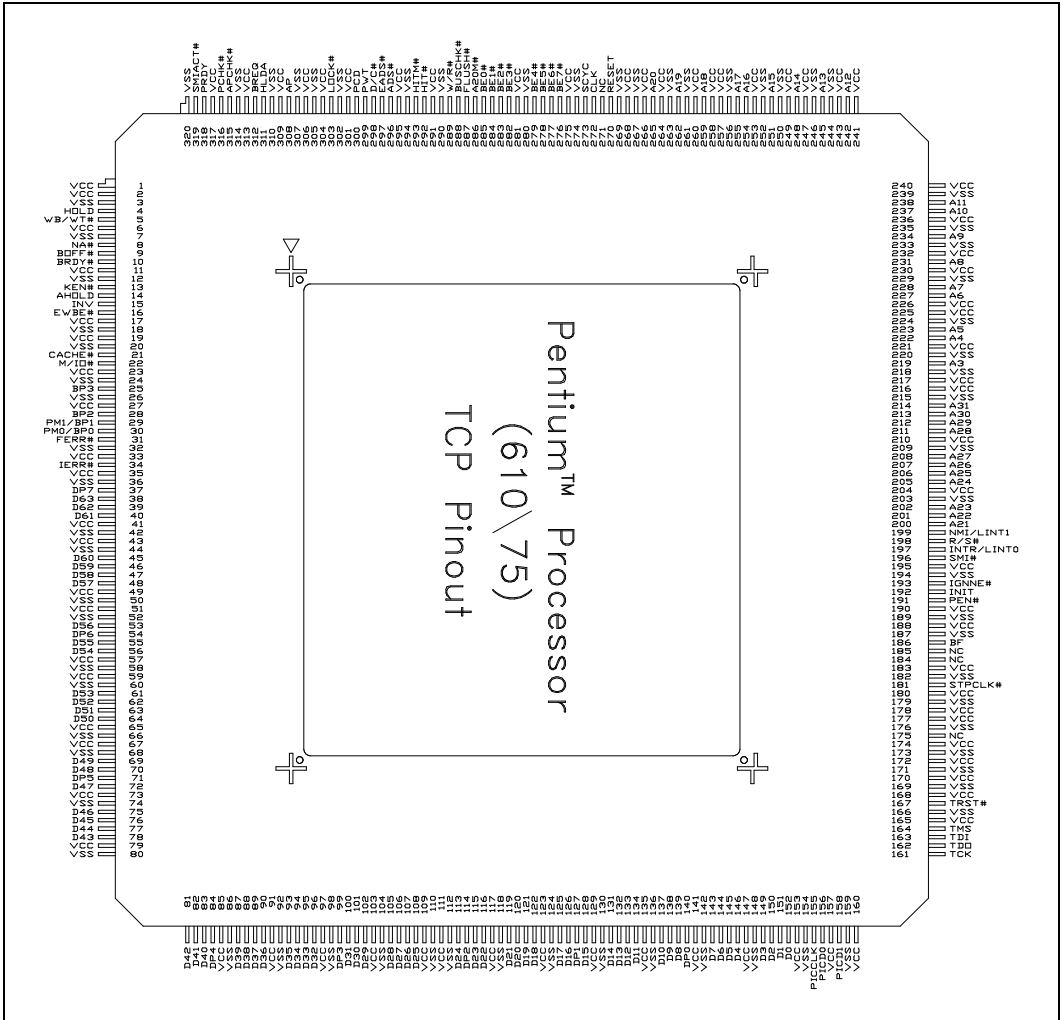


Figure 2. Pentium® Processor (610/75) TCP Pinout

3.1.2. PIN CROSS REFERENCE TABLE FOR Pentium® Processor (610\75) TCP
Table 2. TCP Pin Cross Reference by Pin Name

Address									
A3	219	A9	234	A15	251	A21	200	A27	208
A4	222	A10	237	A16	254	A22	201	A28	211
A5	223	A11	238	A17	255	A23	202	A29	212
A6	227	A12	242	A18	259	A24	205	A30	213
A7	228	A13	245	A19	262	A25	206	A31	214
A8	231	A14	248	A20	265	A26	207		
Data									
D0	152	D13	132	D26	107	D39	87	D52	62
D1	151	D14	131	D27	106	D40	83	D53	61
D2	150	D15	128	D28	105	D41	82	D54	56
D3	149	D16	126	D29	102	D42	81	D55	55
D4	146	D17	125	D30	101	D43	78	D56	53
D5	145	D18	122	D31	100	D44	77	D57	48
D6	144	D19	121	D32	96	D45	76	D58	47
D7	143	D20	120	D33	95	D46	75	D59	46
D8	139	D21	119	D34	94	D47	72	D60	45
D9	138	D22	116	D35	93	D48	70	D61	40
D10	137	D23	115	D36	90	D49	69	D62	39
D11	134	D24	113	D37	89	D50	64	D63	38
D12	133	D25	108	D38	88	D51	63		

Table 2. TCP Pin Cross Reference by Pin Name (Contd.)

Control							
A20M#	286	BREQ	312	HITM#	293	PM1/BP1	29
ADS#	296	BUSCHK#	288	HLDA	311	PRDY	318
AHOLD	14	CACHE#	21	HOLD	4	PWT	299
AP	308	D/C#	298	IERR#	34	R/S#	198
APCHK#	315	DP0	140	IGNNE#	193	RESET	270
BE0#	285	DP1	127	INIT	192	SCYC	273
BE1#	284	DP2	114	INTR/LINT0	197	SMI#	196
BE2#	283	DP3	99	INV	15	SMIACT#	319
BE3#	282	DP4	84	KEN#	13	TCK	161
BE4#	279	DP5	71	LOCK#	303	TDI	163
BE5#	278	DP6	54	M/IO#	22	TDO	162
BE6#	277	DP7	37	NA#	8	TMS	164
BE7#	276	EADS#	297	NMI/LINT1	199	TRST#	167
BOFF#	9	EWBE#	16	PCD	300	W/R#	289
BP2	28	FERR#	31	PCHK#	316	WB/WT#	5
BP3	25	FLUSH#	287	PEN#	191		
BRDY#	10	HIT#	292	PM0/BP0	30		
APIC				Clock Control			
PICCLK	155	PICD1	158	BF	186	STPCLK#	181
PICD0	156	[APICEN]		CLK	272		
[DPEN#]							

Table 2. TCP Pin Cross Reference by Pin Name (Contd.)

V_{cc}								
1*	35	73	123	168*	190*	230	257*	295
2	41*	79	129	170*	195*	232*	258	301
6*	43	85	135	172*	204	236	260*	304*
11*	49*	91	141	174*	210	240*	264	306
17*	51	97	147	177*	216	241	266*	309*
19	57*	103	153*	178	217*	243*	268*	313
23	59	109	157*	180*	221	247	275	317*
27*	65*	111*	160	183*	225*	249*	281	
33*	67	117	165*	188*	226	253	291	
V_{ss}								
3	50	104	166	209	250	302		
7	52	110	169	215	252	305		
12	58	112	171	218	256	307		
18	60	118	173	220	261	310		
20	66	124	176	224	263	314		
24	68	130	179	229	267	320		
26	74	136	182	233	269			
32	80	142	187	235	274			
36	86	148	189	239	280			
42	92	154	194	244	290			
44	98	159	203	246	294			
NC								
175	184	185	271					

NOTE:

*These V_{cc} pins are 3.3V supplies for the Pentium processor (610\75) TCP but will be lower voltage pins on future offerings of this microprocessor family. All other V_{cc} pins will remain at 3.3V.

3.2. Design Notes

For reliable operation, always connect unused inputs to an appropriate signal level. Unused active low inputs should be connected to V_{cc}. Unused active HIGH inputs should be connected to GND (V_{ss}).

No Connect (NC) pins must remain unconnected. Connection of NC pins may result in component failure or incompatibility with processor steppings.

3.3. Quick Pin Reference

This section gives a brief functional description of each of the pins. For a detailed description, see the "Hardware Interface" chapter in the *Pentium® Processor Family Developer's Manual, Volume 1*.

Note that all input pins must meet their AC/DC specifications to guarantee proper functional behavior.

The # symbol at the end of a signal name indicates that the active, or asserted state occurs when the signal is at a low voltage. When a # symbol is not present after the signal name, the signal is active, or asserted at the high voltage level.

Table 3. Quick Pin Reference

Symbol	Type	Name and Function
A20M#	I	When the address bit 20 mask pin is asserted, the Pentium processor (610\75) emulates the address wraparound at 1 Mbyte which occurs on the 8086. When A20M# is asserted, the Pentium processor (610\75) masks physical address bit 20 (A20) before performing a lookup to the internal caches or driving a memory cycle on the bus. The effect of A20M# is undefined in protected mode. A20M# must be asserted only when the processor is in real mode.
A31-A3	I/O	As outputs, the address lines of the processor along with the byte enables define the physical area of memory or I/O accessed. The external system drives the inquire address to the processor on A31-A5.
ADS#	O	The address status indicates that a new valid bus cycle is currently being driven by the Pentium processor (610\75) .
AHOLD	I	In response to the assertion of address hold , the Pentium processor (610\75) will stop driving the address lines (A31-A3), and AP in the next clock. The rest of the bus will remain active so data can be returned or driven for previously issued bus cycles.
AP	I/O	Address parity is driven by the Pentium processor (610\75) with even parity information on all Pentium processor (610\75) generated cycles in the same clock that the address is driven. Even parity must be driven back to the Pentium processor (610\75) during inquire cycles on this pin in the same clock as EADS# to ensure that correct parity check status is indicated by the Pentium processor (610\75).
APCHK#	O	The address parity check status pin is asserted two clocks after EADS# is sampled active if the Pentium processor (610\75) has detected a parity error on the address bus during inquire cycles. APCHK# will remain active for one clock each time a parity error is detected.
[APICEN] PICD1	I	The Advanced Programmable Interrupt Controller Enable pin enables or disables the on-chip APIC interrupt controller. If sampled high at the falling edge of RESET, the APIC is enabled. APICEN shares a pin with the Programmable Interrupt Controller Data 1 signal.
BE7#-BE5# BE4#-BE0#	O I/O	The byte enable pins are used to determine which bytes must be written to external memory, or which bytes were requested by the CPU for the current cycle. The byte enables are driven in the same clock as the address lines (A31-3). The lower four byte enables (BE3#-BE0#) are used on the Pentium processor (610\75) as APIC ID inputs and are sampled at RESET.

Table 3. Quick Pin Reference (Contd.)

Symbol	Type	Name and Function
[BF]	I	Bus Frequency determines the bus-to-core frequency ratio. BF is sampled at RESET, and cannot be changed until another non-warm (1 ms) assertion of RESET. Additionally, BF must not change values while RESET is active. For proper operation of the Pentium processor (610\75) this pin should be strapped high or low. When BF is strapped to V _{cc} , the processor will operate at a 2/3 bus/core frequency ratio. When BF is strapped to V _{ss} , the processor will operate at a 1/2 bus/core frequency ratio. If BF is left floating, the Pentium processor (610\75) defaults to a 2/3 bus ratio. Note the Pentium processor (610\75) will not operate at a 1/2 bus/core frequency ratio.
BOFF#	I	The backoff input is used to abort all outstanding bus cycles that have not yet completed. In response to BOFF#, the Pentium processor (610\75) will float all pins normally floated during bus hold in the next clock. The processor remains in bus hold until BOFF# is negated, at which time the Pentium processor (610\75) restarts the aborted bus cycle(s) in their entirety.
BP[3:2] PM/BP[1:0]	O	The breakpoint pins (BP3-0) correspond to the debug registers, DR3-DR0. These pins externally indicate a breakpoint match when the debug registers are programmed to test for breakpoint matches. BP1 and BP0 are multiplexed with the performance monitoring pins (PM1 and PM0). The PB1 and PB0 bits in the Debug Mode Control Register determine if the pins are configured as breakpoint or performance monitoring pins. The pins come out of RESET configured for performance monitoring.
BRDY#	I	The burst ready input indicates that the external system has presented valid data on the data pins in response to a read or that the external system has accepted the Pentium processor (610\75) data in response to a write request. This signal is sampled in the T2, T12 and T2P bus states.
BREQ	O	The bus request output indicates to the external system that the Pentium processor (610\75) has internally generated a bus request. This signal is always driven whether or not the Pentium processor (610\75) is driving its bus.
BUSCHK#	I	The bus check input allows the system to signal an unsuccessful completion of a bus cycle. If this pin is sampled active, the Pentium processor (610\75) will latch the address and control signals in the machine check registers. If, in addition, the MCE bit in CR4 is set, the Pentium processor (610\75) will vector to the machine check exception.
CACHE#	O	For Pentium processor (610\75)-initiated cycles the cache pin indicates internal cacheability of the cycle (if a read), and indicates a burst writeback cycle (if a write). If this pin is driven inactive during a read cycle, the Pentium processor (610\75) will not cache the returned data, regardless of the state of the KEN# pin. This pin is also used to determine the cycle length (number of transfers in the cycle).

Table 3. Quick Pin Reference (Contd.)

Symbol	Type	Name and Function
CLK	I	The clock input provides the fundamental timing for the Pentium processor (610\75). Its frequency is the operating frequency of the Pentium processor (610\75) external bus and requires TTL levels. All external timing parameters except TDI, TDO, TMS, TRST#, and PICD0-1 are specified with respect to the rising edge of CLK.
D/C#	O	The data/code output is one of the primary bus cycle definition pins. It is driven valid in the same clock as the ADS# signal is asserted. D/C# distinguishes between data and code or special cycles.
D63-D0	I/O	These are the 64 data lines for the processor. Lines D7-D0 define the least significant byte of the data bus; lines D63-D56 define the most significant byte of the data bus. When the CPU is driving the data lines, they are driven during the T2, T12, or T2P clocks for that cycle. During reads, the CPU samples the data bus when BRDY# is returned.
DP7-DP0	I/O	These are the data parity pins for the processor. There is one for each byte of the data bus. They are driven by the Pentium processor (610\75) with even parity information on writes in the same clock as write data. Even parity information must be driven back to the Pentium processor (610\75) on these pins in the same clock as the data to ensure that the correct parity check status is indicated by the Pentium processor (610\75). DP7 applies to D63-D56; DP0 applies to D7-D0.
[DPEN#] PICD0	I/O	Dual processing enable is an output of the Dual processor and an input of the Primary processor. The Dual processor drives DPEN# low to the Primary processor at RESET to indicate that the Primary processor should enable dual processor mode. Since the dual processing feature is not supported on the Pentium processor (610\75) TCP package, DPEN# should never be asserted (low) at RESET. DPEN# shares a pin with PICD0.
EADS#	I	This signal indicates that a valid external address has been driven onto the Pentium processor (610\75) address pins to be used for an inquire cycle.
EWBE#	I	The external write buffer empty input, when inactive (high), indicates that a write cycle is pending in the external system. When the Pentium processor (610\75) generates a write, and EWBE# is sampled inactive, the Pentium processor (610\75) will hold off all subsequent writes to all E- or M-state lines in the data cache until all write cycles have completed, as indicated by EWBE# being active.
FERR#	O	The floating point error pin is driven active when an unmasked floating point error occurs. FERR# is similar to the ERROR# pin on the Intel387™ math coprocessor. FERR# is included for compatibility with systems using DOS-type floating point error reporting.

Table 3. Quick Pin Reference (Contd.)

Symbol	Type	Name and Function
FLUSH#	I	<p>When asserted, the cache flush input forces the Pentium processor (610\75) to write back all modified lines in the data cache and invalidate its internal caches. A Flush Acknowledge special cycle will be generated by the Pentium processor (610\75) indicating completion of the writeback and invalidation.</p> <p>If FLUSH# is sampled low when RESET transitions from high to low, tristate test mode is entered.</p>
HIT#	O	<p>The hit indication is driven to reflect the outcome of an inquire cycle. If an inquire cycle hits a valid line in either the Pentium processor (610\75) data or instruction cache, this pin is asserted two clocks after EADS# is sampled asserted. If the inquire cycle misses the Pentium processor (610\75) cache, this pin is negated two clocks after EADS#. This pin changes its value only as a result of an inquire cycle and retains its value between the cycles.</p>
HITM#	O	<p>The hit to a modified line output is driven to reflect the outcome of an inquire cycle. It is asserted after inquire cycles which resulted in a hit to a modified line in the data cache. It is used to inhibit another bus master from accessing the data until the line is completely written back.</p>
HLDA	O	<p>The bus hold acknowledge pin goes active in response to a hold request driven to the processor on the HOLD pin. It indicates that the Pentium processor (610\75) has floated most of the output pins and relinquished the bus to another local bus master. When leaving bus hold, HLDA will be driven inactive and the Pentium processor (610\75) will resume driving the bus. If the Pentium processor (610\75) has a bus cycle pending, it will be driven in the same clock that HLDA is de-asserted.</p>
HOLD	I	<p>In response to the bus hold request, the Pentium processor (610\75) will float most of its output and input/output pins and assert HLDA after completing all outstanding bus cycles. The Pentium processor (610\75) will maintain its bus in this state until HOLD is de-asserted. HOLD is not recognized during LOCK cycles. The Pentium processor (610\75) will recognize HOLD during reset.</p>
IERR#	O	<p>The internal error pin is used to indicate internal parity errors. If a parity error occurs on a read from an internal array, the Pentium processor (610\75) will assert the IERR# pin for one clock and then shutdown.</p>
IGNNE#	I	<p>This is the ignore numeric error input. This pin has no effect when the NE bit in CR0 is set to 1. When the CR0.NE bit is 0, and the IGNNE# pin is asserted, the Pentium processor (610\75) will ignore any pending unmasked numeric exception and continue executing floating-point instructions for the entire duration that this pin is asserted. When the CR0.NE bit is 0, IGNNE# is not asserted, a pending unmasked numeric exception exists (SW.ES = 1), and the floating-point instruction is one of FINIT, FCLEX, FSTENV, FSAVE, FSTSW, FSTCW, FENI, FDISI, or FSETPM, the Pentium processor (610\75) will execute the instruction in spite of the pending exception. When the CR0.NE bit is 0, IGNNE# is not asserted, a pending unmasked numeric exception exists (SW.ES = 1), and the floating-point instruction is one other than FINIT, FCLEX, FSTENV, FSAVE, FSTSW, FSTCW, FENI, FDISI, or FSETPM, the Pentium processor (610\75) will stop execution and wait for an external interrupt.</p>

Table 3. Quick Pin Reference (Contd.)

Symbol	Type	Name and Function
INIT	I	<p>The Pentium processor (610\75) initialization input pin forces the Pentium processor (610\75) to begin execution in a known state. The processor state after INIT is the same as the state after RESET except that the internal caches, write buffers, and floating point registers retain the values they had prior to INIT. INIT may NOT be used in lieu of RESET after power up.</p> <p>If INIT is sampled high when RESET transitions from high to low, the Pentium processor (610\75) will perform built-in self test prior to the start of program execution.</p>
INTR / LINT0	I	<p>An active maskable interrupt input indicates that an external interrupt has been generated. If the IF bit in the EFLAGS register is set, the Pentium processor (610\75) will generate two locked interrupt acknowledge bus cycles and vector to an interrupt handler after the current instruction execution is completed. INTR must remain active until the first interrupt acknowledge cycle is generated to assure that the interrupt is recognized.</p> <p>If the local APIC is enabled, this pin becomes local interrupt 0.</p>
INV	I	<p>The invalidation input determines the final cache line state (S or I) in case of an inquire cycle hit. It is sampled together with the address for the inquire cycle in the clock EADS# is sampled active.</p>
KEN#	I	<p>The cache enable pin is used to determine whether the current cycle is cacheable or not and is consequently used to determine cycle length. When the Pentium processor (610\75) generates a cycle that can be cached (CACHE# asserted) and KEN# is active, the cycle will be transformed into a burst line fill cycle.</p>
LINT0/INTR	I	<p>If the APIC is enabled, this pin is local interrupt 0. If the APIC is disabled, this pin is interrupt.</p>
LINT1/NMI	I	<p>If the APIC is enabled, this pin is local interrupt 1. If the APIC is disabled, this pin is non-maskable interrupt.</p>
LOCK#	O	<p>The bus lock pin indicates that the current bus cycle is locked. The Pentium processor (610\75) will not allow a bus hold when LOCK# is asserted (but AHOLD and BOFF# are allowed). LOCK# goes active in the first clock of the first locked bus cycle and goes inactive after the BRDY# is returned for the last locked bus cycle. LOCK# is guaranteed to be de-asserted for at least one clock between back-to-back locked cycles.</p>
M/IO#	O	<p>The memory/input-output is one of the primary bus cycle definition pins. It is driven valid in the same clock as the ADS# signal is asserted. M/IO# distinguishes between memory and I/O cycles.</p>

Table 3. Quick Pin Reference (Contd.)

Symbol	Type	Name and Function
NA#	I	An active next address input indicates that the external memory system is ready to accept a new bus cycle although all data transfers for the current cycle have not yet completed. The Pentium processor (610\75) will issue ADS# for a pending cycle two clocks after NA# is asserted. The Pentium processor (610\75) supports up to 2 outstanding bus cycles.
NMI/LINT1	I	The non-maskable interrupt request signal indicates that an external non-maskable interrupt has been generated. If the local APIC is enabled, this pin becomes local interrupt 1 .
PCD	O	The page cache disable pin reflects the state of the PCD bit in CR3, the Page Directory Entry, or the Page Table Entry. The purpose of PCD is to provide an external cacheability indication on a page-by-page basis.
PCHK#	O	The parity check output indicates the result of a parity check on a data read. It is driven with parity status two clocks after BRDY# is returned. PCHK# remains low one clock for each clock in which a parity error was detected. Parity is checked only for the bytes on which valid data is returned.
PEN#	I	The parity enable input (along with CR4.MCE) determines whether a machine check exception will be taken as a result of a data parity error on a read cycle. If this pin is sampled active in the clock a data parity error is detected, the Pentium processor (610\75) will latch the address and control signals of the cycle with the parity error in the machine check registers. If, in addition, the machine check enable bit in CR4 is set to "1", the Pentium processor (610\75) will vector to the machine check exception before the beginning of the next instruction.
PICCLK	I	The APIC interrupt controller serial data bus clock is driven into the programmable interrupt controller clock input of the Pentium processor (610\75).
PICD0-1 [DPEN#] [APICEN]	I/O	Programmable interrupt controller data lines 0-1 of the Pentium processor (610\75) comprise the data portion of the APIC 3-wire bus. They are open-drain outputs that require external pull-up resistors. These signals share pins with DPEN# and APICEN.
PM/BP[1:0]	O	These pins function as part of the performance monitoring feature. The breakpoint 1-0 pins are multiplexed with the performance monitoring 1-0 pins. The PB1 and PB0 bits in the Debug Mode Control Register determine if the pins are configured as breakpoint or performance monitoring pins. The pins come out of RESET configured for performance monitoring.
PRDY	O	The probe ready output pin indicates that the processor has stopped normal execution in response to the R/S# pin going active, or Probe Mode being entered.
PWT	O	The page writethrough pin reflects the state of the PWT bit in CR3, the page directory entry, or the page table entry. The PWT pin is used to provide an external writeback indication on a page-by-page basis.

Table 3. Quick Pin Reference (Contd.)

Symbol	Type	Name and Function
R/S#	I	The run / stop input is an asynchronous, edge-sensitive interrupt used to stop the normal execution of the processor and place it into an idle state. A high to low transition on the R/S# pin will interrupt the processor and cause it to stop execution at the next instruction boundary.
RESET	I	RESET forces the Pentium processor (610\75) to begin execution at a known state. All the Pentium processor (610\75) internal caches will be invalidated upon the RESET. Modified lines in the data cache are not written back. FLUSH# and INIT are sampled when RESET transitions from high to low to determine if tristate test mode will be entered, or if BIST will be run.
SCYC	O	The split cycle output is asserted during misaligned LOCKed transfers to indicate that more than two cycles will be locked together. This signal is defined for locked cycles only. It is undefined for cycles which are not locked.
SMI#	I	The system management interrupt causes a system management interrupt request to be latched internally. When the latched SMI# is recognized on an instruction boundary, the processor enters System Management Mode.
SMIACK#	O	An active system management interrupt active output indicates that the processor is operating in System Management Mode.
STPCLK#	I	Assertion of the stop clock input signifies a request to stop the internal clock of the Pentium processor (610\75) thereby causing the core to consume less power. When the CPU recognizes STPCLK#, the processor will stop execution on the next instruction boundary, unless superseded by a higher priority interrupt, and generate a Stop Grant Acknowledge cycle. When STPCLK# is asserted, the Pentium processor (610\75) will still respond to external snoop requests.
TCK	I	The testability clock input provides the clocking function for the Pentium processor (610\75) boundary scan in accordance with the IEEE Boundary Scan interface (Standard 1149.1). It is used to clock state information and data into and out of the Pentium processor (610\75) during boundary scan.
TDI	I	The test data input is a serial input for the test logic. TAP instructions and data are shifted into the Pentium processor (610\75) on the TDI pin on the rising edge of TCK when the TAP controller is in an appropriate state.
TDO	O	The test data output is a serial output of the test logic. TAP instructions and data are shifted out of the Pentium processor (610\75) on the TDO pin on TCK's falling edge when the TAP controller is in an appropriate state.
TMS	I	The value of the test mode select input signal sampled at the rising edge of TCK controls the sequence of TAP controller state changes.
TRST#	I	When asserted, the test reset input allows the TAP controller to be asynchronously initialized.

Table 3. Quick Pin Reference (Contd.)

Symbol	Type	Name and Function
V _{cc}	I	The Pentium processor (610\75) has 79 3.3V power inputs.
V _{ss}	I	The Pentium processor (610\75) has 72 ground inputs.
W/R#	O	Write/read is one of the primary bus cycle definition pins. It is driven valid in the same clock as the ADS# signal is asserted. W/R# distinguishes between write and read cycles.
WB/WT#	I	The writeback/writethrough input allows a data cache line to be defined as writeback or writethrough on a line-by-line basis. As a result, it determines whether a cache line is initially in the S or E state in the data cache.

3.4. Pin Reference Tables

Table 4. Output Pins

Name	Active Level	When Floated
ADS#	Low	Bus Hold, BOFF#
APCHK#	Low	
BE7#-BE5#	Low	Bus Hold, BOFF#
BREQ	High	
CACHE#	Low	Bus Hold, BOFF#
FERR#	Low	
HIT#	Low	
HITM#	Low	
HLDA	High	
IERR#	Low	
LOCK#	Low	Bus Hold, BOFF#
MIO#, D/C#, W/R#	n/a	Bus Hold, BOFF#
PCHK#	Low	
BP3-2, PM1/BP1, PM0/BP0	High	
PRDY	High	
PWT, PCD	High	Bus Hold, BOFF#
SCYC	High	Bus Hold, BOFF#
SMIACT#	Low	
TDO	n/a	All states except Shift-DR and Shift-IR

NOTE:

All output and input/output pins are floated during tristate test mode (except TDO).

Table 5. Input Pins

Name	Active Level	Synchronous/ Asynchronous	Internal resistor	Qualified
A20M#	Low	Asynchronous		
AHOLD	High	Synchronous		
BF	High	Synchronous/RESET	Pullup	
BOFF#	Low	Synchronous		
BRDY#	Low	Synchronous		Bus State T2, T12, T2P
BUSCHK#	Low	Synchronous	Pullup	BRDY#
CLK	n/a			
EADS#	Low	Synchronous		
EWBE#	Low	Synchronous		BRDY#
FLUSH#	Low	Asynchronous		
HOLD	High	Synchronous		
IGNNE#	Low	Asynchronous		
INIT	High	Asynchronous		
INTR	High	Asynchronous		
INV	High	Synchronous		EADS#
KEN#	Low	Synchronous		First BRDY#/NA#
NA#	Low	Synchronous		Bus State T2,TD,T2P
NMI	High	Asynchronous		
PEN#	Low	Synchronous		BRDY#
PICCLK	High	Asynchronous	Pullup	
R/S#	n/a	Asynchronous	Pullup	
RESET	High	Asynchronous		
SMI#	Low	Asynchronous	Pullup	
STPCLK#	Low	Asynchronous	Pullup	
TCK	n/a		Pullup	
TDI	n/a	Synchronous/TCK	Pullup	TCK
TMS	n/a	Synchronous/TCK	Pullup	TCK
TRST#	Low	Asynchronous	Pullup	
WB/WT#	n/a	Synchronous		First BRDY#/NA#

Table 6. Input/Output Pins

Name	Active Level	When Floated	Qualified (when an input)	Internal Resistor
A31-A3	n/a	Address Hold, Bus Hold, BOFF#	EADS#	
AP	n/a	Address Hold, Bus Hold, BOFF#	EADS#	
BE4#-BE0#	Low	Bus Hold, BOFF#	RESET	Pulldown*
D63-D0	n/a	Bus Hold, BOFF#	BRDY#	
DP7-DP0	n/a	Bus Hold, BOFF#	BRDY#	
PICD0[DPEN#]				Pullup
PICD1[APICEN]				Pulldown

NOTES:

All output and input/output pins are floated during tristate test mode (except TDO).

*BE3#-BE0# have pulldowns during RESET only.

3.5. Pin Grouping According to Function

Table 7 organizes the pins with respect to their function.

Table 7. Pin Functional Grouping

Function	Pins
Clock	CLK
Initialization	RESET, INIT
Address Bus	A31-A3, BE7# - BE0#
Address Mask	A20M#
Data Bus	D63-D0
Address Parity	AP, APCHK#
APIC Support	PICCLK, PICD0-1
Data Parity	DP7-DP0, PCHK#, PEN#
Internal Parity Error	IERR#
System Error	BUSCHK#
Bus Cycle Definition	M/IO#, D/C#, W/R#, CACHE#, SCYC, LOCK#
Bus Control	ADS#, BRDY#, NA#
Page Cacheability	PCD, PWT
Cache Control	KEN#, WB/WT#
Cache Snooping/Consistency	AHOLD, EADS#, HIT#, HITM#, INV
Cache Flush	FLUSH#
Write Ordering	EWBE#
Bus Arbitration	BOFF#, BREQ, HOLD, HLDA
Interrupts	INTR, NMI
Floating Point Error Reporting	FERR#, IGNNE#
System Management Mode	SMI#, SMIACT#
TAP Port	TCK, TMS, TDI, TDO, TRST#
Breakpoint/Performance Monitoring	PM0/BP0, PM1/BP1, BP3-2
Clock Control	STPCLK#
Probe Mode	R/S#, PRDY

4.0. Pentium® Processor (610\75) TCP ELECTRICAL SPECIFICATIONS

4.1. Maximum Ratings

The following values are stress ratings only. Functional operation at the maximum ratings is not implied or guaranteed. Functional operating conditions are given in the AC and DC specification tables.

Extended exposure to the maximum ratings may affect device reliability. Furthermore, although the Pentium processor (610\75) contains protective circuitry to resist damage from static electric discharge, always take precautions to avoid high static voltages or electric fields.

Case temperature under bias -65°C to 110°C

Storage temperature -65°C to 150°C

3V Supply voltage with respect to V_{SS} -0.5V to +4.6V

3V Only Buffer DC Input Voltage -0.5V to $V_{CC} + 0.5$; not to exceed 4.6V (2)

5V Safe Buffer DC Input Voltage -0.5V to 6.5V (1,3)

NOTES:

1. Applies to CLK and PICCLK.
2. Applies to all Pentium processor (610\75) inputs except CLK and PICCLK.
3. See Table 9.

WARNING

Stressing the device beyond the "Absolute Maximum Ratings" may cause permanent damage. These are stress ratings only. Operation beyond the "Operating Conditions" is not recommended and extended exposure beyond the "Operating Conditions" may affect device reliability.

4.2. DC Specifications

Tables 8, 9, and 10 list the DC specifications which apply to the Pentium processor (610\75). The Pentium processor (610\75) is a 3.3V part internally. The CLK and PICCLK inputs may be a 3.3V or 5V inputs. Since the 3.3V (5V safe) input levels defined in Table 9 are the same as the 5V TTL levels, the CLK and PICCLK inputs are compatible with existing 5V clock drivers. The power dissipation specification in Table 11 is provided for design of thermal solutions during operation in a sustained maximum level. This is the worst-case power the device would dissipate in a system for a sustained period of time. This number is used for design of a thermal solution for the device.

Table 8. 3.3V DC Specifications

$T_{CASE} = 0$ to 95 °C; $V_{CC} = 3.3V \pm 5\%$

Symbol	Parameter	Min	Max	Unit	Notes
V_{IL3}	Input Low Voltage	-0.3	0.8	V	TTL Level (3)
V_{IH3}	Input High Voltage	2.0	$V_{CC}+0.3$	V	TTL Level (3)
V_{OL3}	Output Low Voltage		0.4	V	TTL Level (1) (3)
V_{OH3}	Output High Voltage	2.4		V	TTL Level (2) (3)
I_{CC3}	Power Supply Current		2650	mA	@75 MHz (4)

NOTES:

1. Parameter measured at 4 mA.
2. Parameter measured at 3 mA.
3. 3.3V TTL levels apply to all signals except CLK and PICCLK.
4. This value should be used for power supply design. It was determined using a worst-case instruction mix and $V_{CC} + 5\%$. Power supply transient response and decoupling capacitors must be sufficient to handle the instantaneous current changes occurring during transitions from stop clock to full active modes. For more information, refer to section 4.3.2.

Table 9. 3.3V (5V Safe) DC Specifications

Symbol	Parameter	Min	Max	Unit	Notes
V_{IL5}	Input Low Voltage	-0.3	0.8	V	TTL Level (1)
V_{IH5}	Input High Voltage	2.0	5.55	V	TTL Level (1)

NOTES:

1. Applies to CLK and PICCLK only.

Table 10. Input and Output Characteristics

Symbol	Parameter	Min	Max	Unit	Notes
C_{IN}	Input Capacitance		15	pF	(4)
C_O	Output Capacitance		20	pF	(4)
$C_{I/O}$	I/O Capacitance		25	pF	(4)
C_{CLK}	CLK Input Capacitance		15	pF	(4)
C_{TIN}	Test Input Capacitance		15	pF	(4)
C_{TOUT}	Test Output Capacitance		20	pF	(4)
C_{TCK}	Test Clock Capacitance		15	pF	(4)
I_{LI}	Input Leakage Current		± 15	μA	$0 < V_{IN} < V_{CC3}$ (1)
I_{LO}	Output Leakage Current		± 15	μA	$0 < V_{IN} < V_{CC3}$ (1)
I_{IH}	Input Leakage Current		200	μA	$V_{IN} = 2.4V$ (3)
I_{IL}	Input Leakage Current		-400	μA	$V_{IN} = 0.4V$ (2)

NOTES:

1. This parameter is for input without pull up or pull down.
2. This parameter is for input with pull up.
3. This parameter is for input with pull down.
4. Guaranteed by design.

Table 11. Power Dissipation Requirements for Thermal Solution Design

Parameter	Typical ⁽¹⁾	Max ⁽²⁾	Unit	Notes
Active Power Dissipation	3-4	8.0	Watts	@ 75 MHz
Stop Grant and Auto Halt Powerdown Power Dissipation		1.2	Watts	@ 75 MHz (3)
Stop Clock Power Dissipation	.02	≤.05	Watts	(4) (5)

NOTES:

1. This is the typical power dissipation in a system. This value was the average value measured in a system using a typical device at $V_{cc} = 3.3V$ running typical applications. This value is highly dependent upon the specific system configuration.
2. Systems must be designed to thermally dissipate the maximum active power dissipation. It is determined using a worst-case instruction mix with $V_{cc} = 3.3V$. The use of nominal V_{cc} in this measurement takes into account the thermal time constant of the package.
3. Stop Grant/Auto Halt Powerdown Power Dissipation is determined by asserting the STPCLK# pin or executing the HALT instruction.
4. Stop Clock Power Dissipation is determined by asserting the STPCLK# pin and then removing the external CLK input.
5. Complete characterization of the specification was still in process at the time of print. Please contact Intel for the latest information. The final specification may be less than 50 mW.

4.3. AC Specifications

The AC specifications of the Pentium processor (610\75) consist of setup times, hold times, and valid delays at 0 pF.

WARNING

Do not exceed the Pentium processor (610\75) internal maximum frequency of 75 MHz by either selecting the 1/2 bus fraction or providing a clock greater than 50 MHz.

4.3.1. POWER AND GROUND

For clean on-chip power distribution, the Pentium processor (610\75) has 79 V_{cc} (power) and 72 V_{ss} (ground) inputs. Power and ground connections must be made to all external V_{cc} and V_{ss} pins of the Pentium processor (610\75). On the circuit board all V_{cc} pins must be connected to a 3.3V V_{cc} plane. All V_{ss} pins must be connected to a V_{ss} plane.

4.3.2. DECOUPLING RECOMMENDATIONS

Liberal decoupling capacitance should be placed near the Pentium processor (610\75). The Pentium processor (610\75) driving its large address and data buses at high frequencies can cause transient power surges, particularly when driving large capacitive loads.

Low inductance capacitors and interconnects are recommended for best high frequency electrical

performance. Inductance can be reduced by shortening circuit board traces between the Pentium processor (610\75) and decoupling capacitors as much as possible.

These capacitors should be evenly distributed around each component on the 3.3V plane. Capacitor values should be chosen to ensure they eliminate both low and high frequency noise components.

For the Pentium processor (610\75), the power consumption can transition from a low level of power to a much higher level (or high to low power) very rapidly. A typical example would be entering or exiting the Stop Grant state. Another example would be executing a HALT instruction, causing the Pentium processor (610\75) to enter the Auto HALT Powerdown state, or transitioning from HALT to the Normal state. All of these examples may cause abrupt changes in the power being consumed by the Pentium processor (610\75). Note that the Auto HALT Powerdown feature is always enabled even when other power management features are not implemented.

Bulk storage capacitors with a low ESR (Effective Series Resistance) in the 10 to 100 μf range are required to maintain a regulated supply voltage during the interval between the time the current load changes and the point that the regulated power supply output can react to the change in load. In order to reduce the ESR, it may be necessary to place several bulk storage capacitors in parallel.

These capacitors should be placed near the Pentium processor (610\75) (on the 3.3V plane) to ensure that the supply voltage stays within specified limits during changes in the supply current during operation.

4.3.3. CONNECTION SPECIFICATIONS

All NC pins must remain unconnected.

For reliable operation, always connect unused inputs to an appropriate signal level. Unused active low inputs should be connected to V_{cc} . Unused active high inputs should be connected to ground.

4.3.4. AC TIMINGS FOR A 50-MHZ BUS

The AC specifications given in Table 12 consist of output delays, input setup requirements and input hold requirements for a 50-MHz external bus. All AC specifications (with the exception of those for the TAP signals and APIC signals) are relative to the rising edge of the CLK input.

All timings are referenced to 1.5V for both "0" and "1" logic levels unless otherwise specified. Within the sampling window, a synchronous input must be stable for correct Pentium processor (610\75) operation.

**Table 12. Pentium® Processor (610\75) TCP
AC Specifications for 50-MHz Bus Operation**

$V_{cc} = 3.3V \pm 5\%$, $T_{CASE} = 0\text{ }^{\circ}C$ to $95\text{ }^{\circ}C$, $C_L = 0\text{ pF}$

Symbol	Parameter	Min	Max	Unit	Figure	Notes
	Frequency	25.0	50.0	MHz		Max Core Freq. = 75 MHz @ 2/3
t_{1a}	CLK Period	20.0	40.0	nS	3	
t_{1b}	CLK Period Stability		± 250	pS		(1), (19)
t_2	CLK High Time	4.0		nS	3	@2V, (1)
t_3	CLK Low Time	4.0		nS	3	@0.8V, (1)
t_4	CLK Fall Time	0.15	1.5	nS	3	(2.0V-0.8V), (1), (5)
t_5	CLK Rise Time	0.15	1.5	nS	3	(0.8V-2.0V), (1), (5)
t_{6a}	ADS#, PWT, PCD, BE0-7#, M/IO#, D/C#, CACHE#, SCYC, W/R# Valid Delay	1.0	7.0	nS	4	
t_{6b}	AP Valid Delay	1.0	8.5	nS	4	
t_{6c}	A3-A31, LOCK# Valid Delay	1.1	7.0	nS	4	

**Table 12. Pentium® Processor (610\75) TCP
AC Specifications for 50-MHz Bus Operation (Contd.)**

$V_{cc} = 3.3V \pm 5\%$, $T_{CASE} = 0\text{ }^{\circ}C$ to $95\text{ }^{\circ}C$, $C_L = 0\text{ pF}$

Symbol	Parameter	Min	Max	Unit	Figure	Notes
t ₇	ADS#, AP, A3-A31, PWT, PCD, BE0-7#, M/IO#, D/C#, W/R#, CACHE#, SCYC, LOCK# Float Delay		10.0	nS	5	(1)
t ₈	APCHK#, IERR#, FERR#, PCHK# Valid Delay	1.0	8.3	nS	4	(4)
t _{9a}	BREQ, HLDA, SMIACK# Valid Delay	1.0	8.0	nS	4	(4)
t _{10a}	HIT# Valid Delay	1.0	8.0	nS	4	
t _{10b}	HITM# Valid Delay	1.1	6.0	nS	4	
t _{11a}	PM0-1, BP0-3 Valid Delay	1.0	10.0	nS	4	
t _{11b}	PRDY Valid Delay	1.0	8.0	nS	4	
t ₁₂	D0-D63, DP0-7 Write Data Valid Delay	1.3	8.5	nS	4	
t ₁₃	D0-D63, DP0-3 Write Data Float Delay		10.0	nS	5	(1)
t ₁₄	A5-A31 Setup Time	6.5		nS	6	(20)
t ₁₅	A5-A31 Hold Time	1.0		nS	6	
t _{16a}	INV, AP Setup Time	5.0		nS	6	
t _{16b}	EADS# Setup Time	6.0		nS	6	
t ₁₇	EADS#, INV, AP Hold Time	1.0		nS	6	
t _{18a}	KEN# Setup Time	5.0		nS	6	
t _{18b}	NA#, WB/WT# Setup Time	4.5		nS	6	
t ₁₉	KEN#, WB/WT#, NA# Hold Time	1.0		nS	6	
t ₂₀	BRDY# Setup Time	5.0		nS	6	
t ₂₁	BRDY# Hold Time	1.0		nS	6	
t ₂₂	BOFF# Setup Time	5.5		nS	6	
t _{22a}	AHOLD Setup Time	6.0		nS	6	
t ₂₃	AHOLD, BOFF# Hold Time	1.0		nS	6	

**Table 12. Pentium® Processor (61075) TCP
AC Specifications for 50-MHz Bus Operation (Contd.)**

$V_{cc} = 3.3V \pm 5\%$, $T_{CASE} = 0\text{ }^{\circ}C$ to $95\text{ }^{\circ}C$, $C_L = 0\text{ pF}$

Symbol	Parameter	Min	Max	Unit	Figure	Notes
t ₂₄	BUSCHK#, EWBE#, HOLD, PEN# Setup Time	5.0		nS	6	
t ₂₅	BUSCHK#, EWBE#, PEN# Hold Time	1.0		nS	6	
t _{25a}	HOLD Hold Time	1.5		nS	6	
t ₂₆	A20M#, INTR, STPCLK# Setup Time	5.0		nS	6	(11), (15)
t ₂₇	A20M#, INTR, STPCLK# Hold Time	1.0		nS	6	(12)
t ₂₈	INIT, FLUSH#, NMI, SMI#, IGNNE# Setup Time	5.0		nS	6	(11), (15), (16)
t ₂₉	INIT, FLUSH#, NMI, SMI#, IGNNE# Hold Time	1.0		nS	6	(12)
t ₃₀	INIT, FLUSH#, NMI, SMI#, IGNNE# Pulse Width, Async	2.0		CLKs	6	(14), (16)
t ₃₁	R/S# Setup Time	5.0		nS	6	(11), (15)
t ₃₂	R/S# Hold Time	1.0		nS	6	(12)
t ₃₃	R/S# Pulse Width, Async.	2.0		CLKs	6	(14), (16)
t ₃₄	D0-D63, DP0-7 Read Data Setup Time	3.8		nS	6	
t ₃₅	D0-D63, DP0-7 Read Data Hold Time	2.0		nS	6	
t ₃₆	RESET Setup Time	5.0		nS	7	(11), (15)
t ₃₇	RESET Hold Time	1.0		nS	7	(12)
t ₃₈	RESET Pulse Width, Vcc & CLK Stable	15		CLKs	7	(16)
t ₃₉	RESET Active After Vcc & CLK Stable	1.0		mS	7	Power up
t ₄₀	Reset Configuration Signals (INIT, FLUSH#) Setup Time	5.0		nS	7	(15), (16)
t ₄₁	Reset Configuration Signals (INIT, FLUSH#) Hold Time	1.0		nS	7	(12)

**Table 12. Pentium® Processor (610\75) TCP
AC Specifications for 50-MHz Bus Operation (Contd.)**

$V_{cc} = 3.3V \pm 5\%$, $T_{CASE} = 0\text{ }^{\circ}C$ to $95\text{ }^{\circ}C$, $C_L = 0\text{ pF}$

Symbol	Parameter	Min	Max	Unit	Figure	Notes
t _{42a}	Reset Configuration Signals (INIT, FLUSH#) Setup Time, Async.	2.0		CLKs	7	To RESET falling edge (15)
t _{42b}	Reset Configuration Signals (INIT, FLUSH#, BRDY#, BUSCHK#) Hold Time, Async.	2.0		CLKs	7	To RESET falling edge (211)
t _{42c}	Reset Configuration Signal (BRDY#, BUSCHK#) Setup Time, Async.	3.0		CLKs	7	To RESET falling edge (21)
t _{42d}	Reset Configuration Signal BRDY# Hold Time, RESET driven synchronously	1.0		nS		To RESET falling edge (1), (21)
t _{43a}	BF Setup Time	1.0		mS	7	(18) to RESET falling edge
t _{43b}	BF Hold Time	2.0		CLKs	7	(18) to RESET falling edge
t _{43c}	APICEN Setup Time	2.0		CLKs	7	To RESET falling edge
t _{43d}	APICEN Hold Time	2.0		CLKs	7	To RESET falling edge
t ₄₄	TCK Frequency	—	16.0	MHz		
t ₄₅	TCK Period	62.5		nS	3	
t ₄₆	TCK High Time	25.0		nS	3	@2V, (1)
t ₄₇	TCK Low Time	25.0		nS	3	@0.8V, (1)
t ₄₈	TCK Fall Time		5.0	nS	3	(2.0V–0.8V), (1), (8), (9)
t ₄₉	TCK Rise Time		5.0	nS	3	(0.8V–2.0V), (1), (8), (9)
t ₅₀	TRST# Pulse Width	40.0		nS	9	(1), Asynchronous
t ₅₁	TDI, TMS Setup Time	5.0		nS	8	(7)
t ₅₂	TDI, TMS Hold Time	13.0		nS	8	(7)
t ₅₃	TDO Valid Delay	3.0	20.0	nS	8	(8)
t ₅₄	TDO Float Delay		25.0	nS	8	(1), (8)
t ₅₅	All Non-Test Outputs Valid Delay	3.0	20.0	nS	8	(3), (8), (10)

**Table 12. Pentium® Processor (61075) TCP
AC Specifications for 50-MHz Bus Operation (Contd.)**

$V_{cc} = 3.3V \pm 5\%$, $T_{CASE} = 0\text{ }^{\circ}C$ to $95\text{ }^{\circ}C$, $C_L = 0\text{ pF}$

Symbol	Parameter	Min	Max	Unit	Figure	Notes
t_{56}	All Non-Test Outputs Float Delay		25.0	nS	8	(1), (3), (8), (10)
t_{57}	All Non-Test Inputs Setup Time	5.0		nS	8	(3), (7), (10)
t_{58}	All Non-Test Inputs Hold Time	13.0		nS	8	(3), (7), (10)
APIC AC Specifications						
t_{60a}	PICCLK Frequency	2.0	16.66	MHz		
t_{60b}	PICCLK Period	60.0	500.0	nS	3	
t_{60c}	PICCLK High Time	9.0		nS	3	
t_{60d}	PICCLK Low Time	9.0		nS	3	
t_{60e}	PICCLK Rise Time	1.0	5.0	nS	3	
t_{60f}	PICCLK Fall Time	1.0	5.0	nS	3	
t_{60g}	PICD0-1 Setup Time	3.0		nS	6	to PICCLK
t_{60h}	PICD0-1 Hold Time	2.5		nS	6	to PICCLK
t_{60i}	PICD0-1 Valid Delay (LtoH)	4.0	38.0	nS	4	from PICCLK, (22)
t_{60j}	PICD0-1 Valid Delay (HtoL)	4.0	22.0	nS	4	from PICCLK, (22)

NOTES:

Notes 2, 6, and 14 are general and apply to all standard TTL signals used with the Pentium Processor family.

- Not 100% tested. Guaranteed by design.
- TTL input test waveforms are assumed to be 0 to 3V transitions with 1V/nS rise and fall times.
- Non-test outputs and inputs are the normal output or input signals (besides TCK, TRST#, TDI, TDO, and TMS). These timings correspond to the response of these signals due to boundary scan operations.
- APCHK#, FERR#, HLDA, IERR#, LOCK#, and PCHK# are glitch-free outputs. Glitch-free signals monotonically transition without false transitions (i.e., glitches).
- $0.8V/ns \leq CLK$ input rise/fall time $\leq 8V/ns$.
- $0.3V/ns \leq$ input rise/fall time $\leq 5V/ns$.
- Referenced to TCK rising edge.
- Referenced to TCK falling edge.
- 1 ns can be added to the maximum TCK rise and fall times for every 10 MHz of frequency below 33 MHz.
- During probe mode operation, do not use the boundary scan timings (t_{55-58}).
- Setup time is required to guarantee recognition on a specific clock.
- Hold time is required to guarantee recognition on a specific clock.
- All TTL timings are referenced from 1.5V.
- To guarantee proper asynchronous recognition, the signal must have been de-asserted (inactive) for a minimum of 2 clocks before being returned active and must meet the minimum pulse width.
- This input may be driven asynchronously.
- When driven asynchronously, RESET, NMI, FLUSH#, R/S#, INIT, and SMI# must be de-asserted (inactive) for a minimum of 2 clocks before being returned active.
- The D/C#, M/IO#, W/R#, CACHE#, and A5-A31 signals are sampled only on the CLK that ADS# is active.
- BF should be strapped to V_{cc} or V_{ss} .

19. These signals are measured on the rising edge of adjacent CLKs at 1.5V. To ensure a 1:1 relationship between the amplitude of the input jitter and the internal and external clocks, the jitter frequency spectrum should not have any power spectrum peaking between 500 KHz and 1/3 of the CLK operating frequency. The amount of jitter present must be accounted for as a component of CLK skew between devices.
 20. Timing $t_{1,4}$ is required for external snooping (e.g., address setup to the CLK in which EADS# is sampled active).
 21. BUSCHK# is used as a reset configuration signal to select buffer size.
 22. This assumes an external pullup resistor to V_{cc} and a lumped capacitive load. The pullup resistor must be between 150 ohms and 1K ohms, the capacitance must be between 20 pF and 240 pF, and the RC product must be between 3 ns and 36 ns.
- ** Each valid delay is specified for a 0 pF load. The system designer should use I/O buffer modeling to account for signal flight time delays.

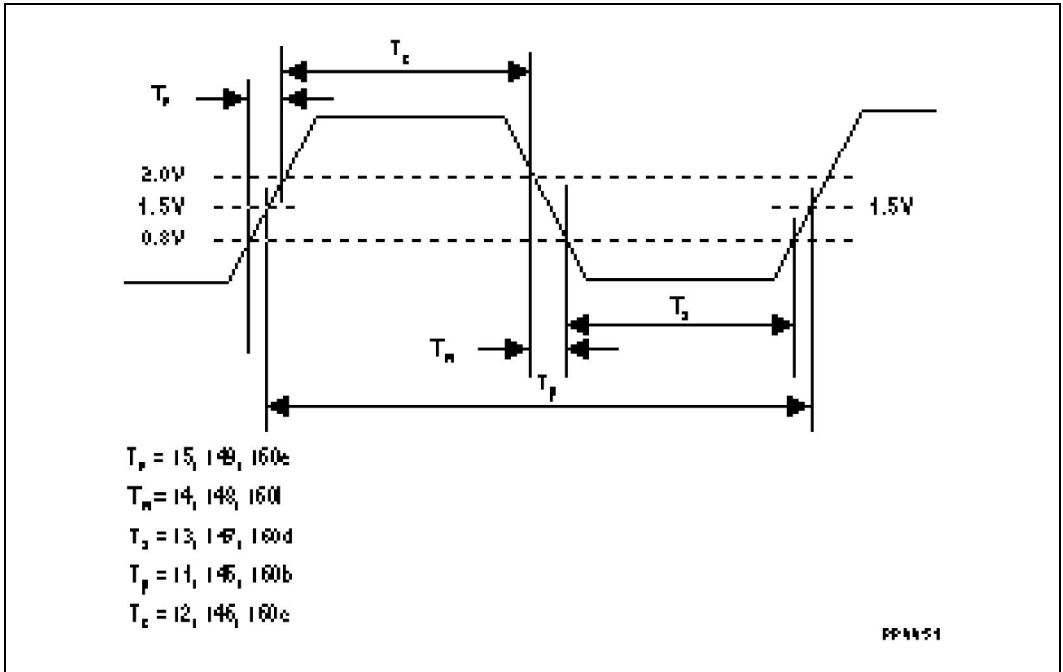


Figure 3. Clock Waveform

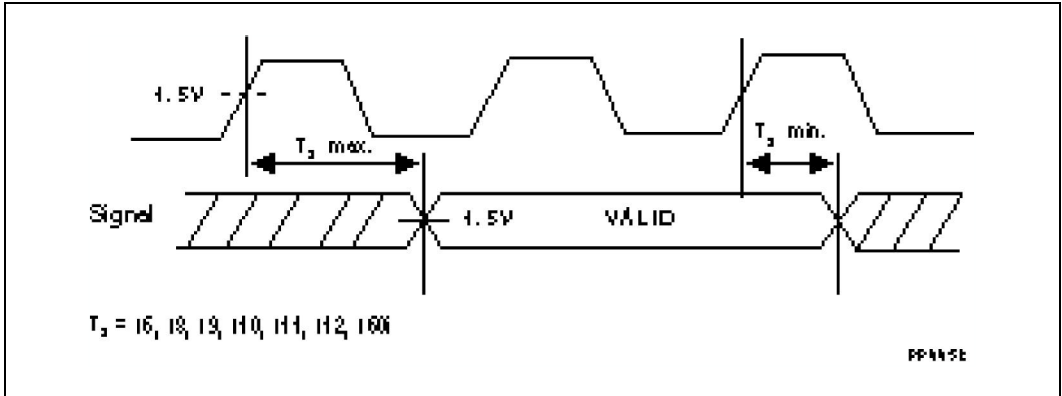


Figure 4. Valid Delay Timings

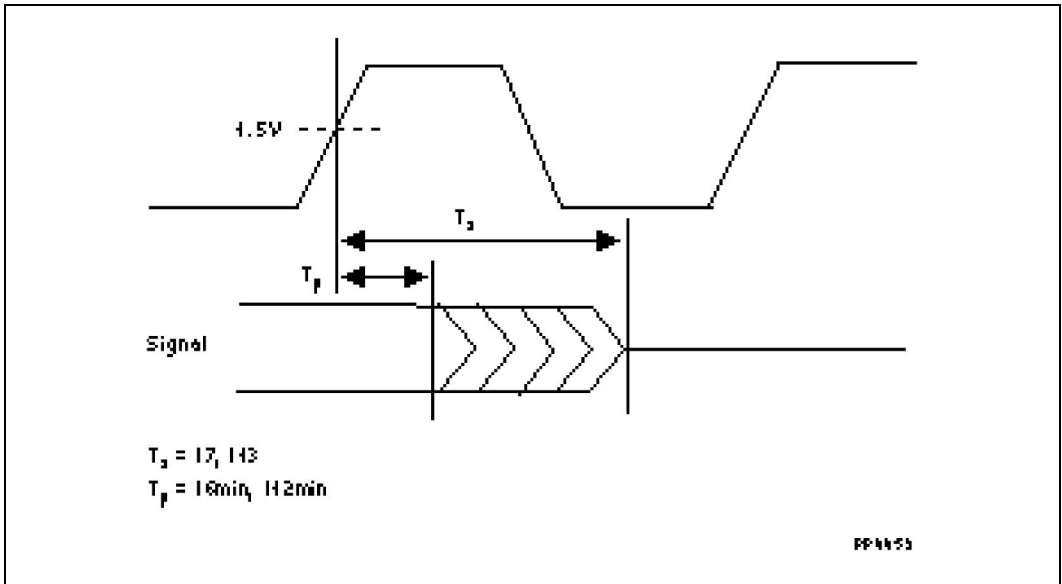


Figure 5. Float Delay Timings

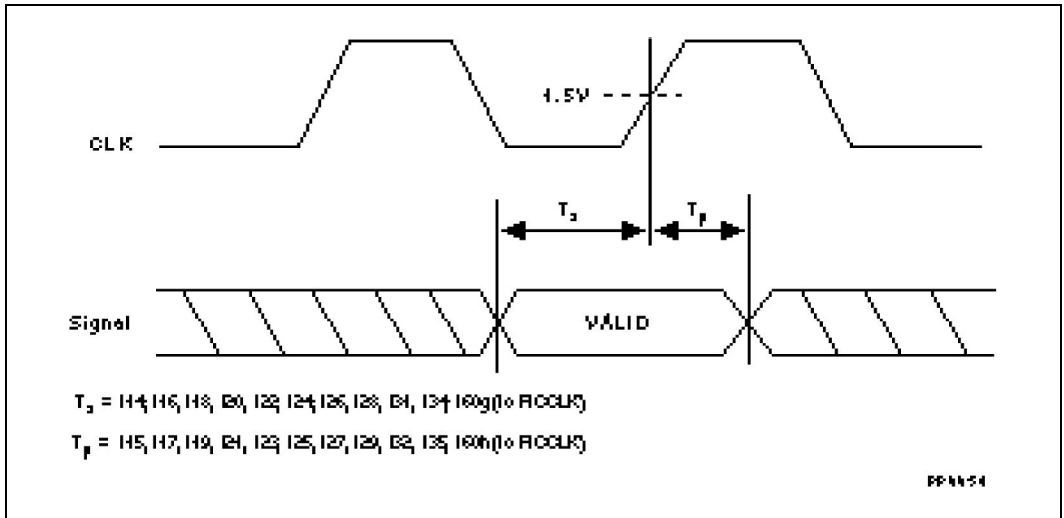


Figure 6. Setup and Hold Timings

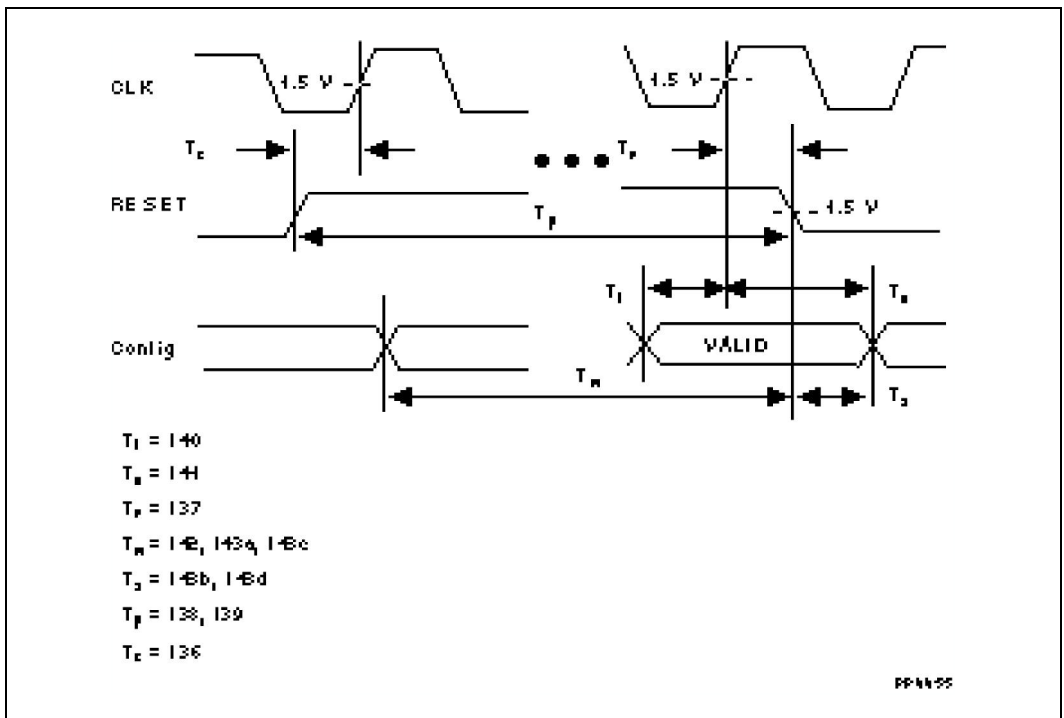


Figure 7. Reset and Configuration Timings

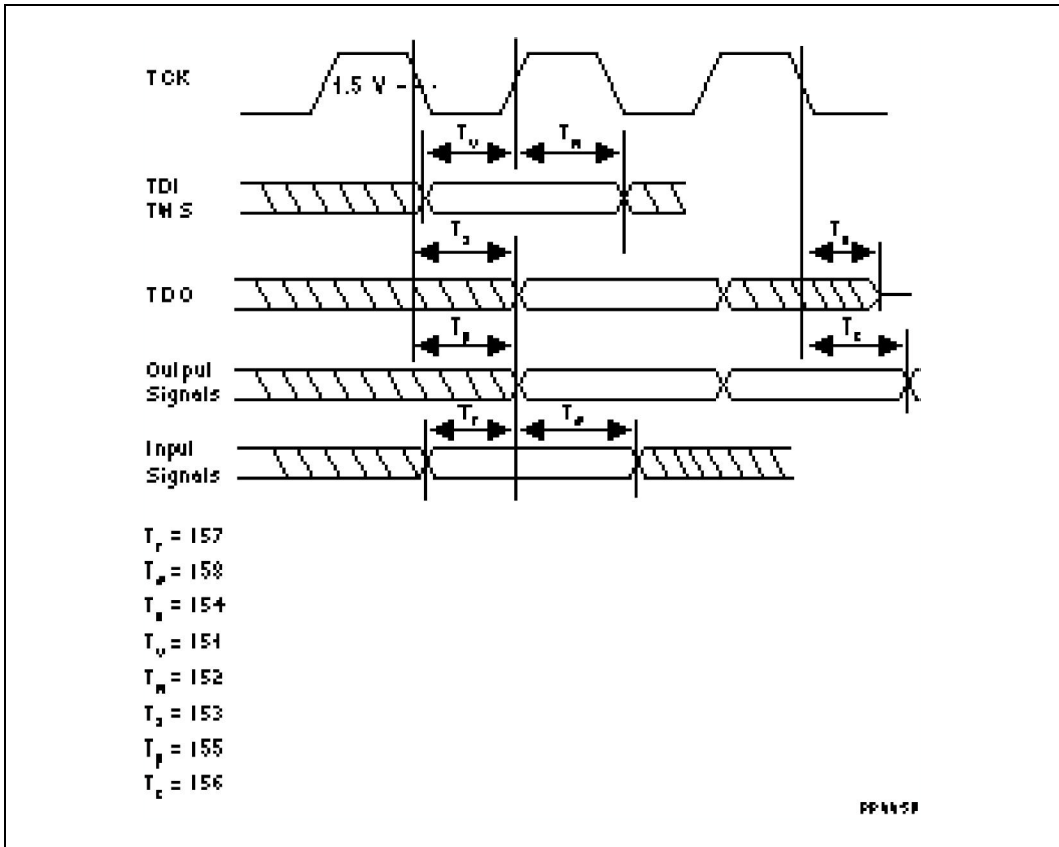


Figure 8. Test Timings

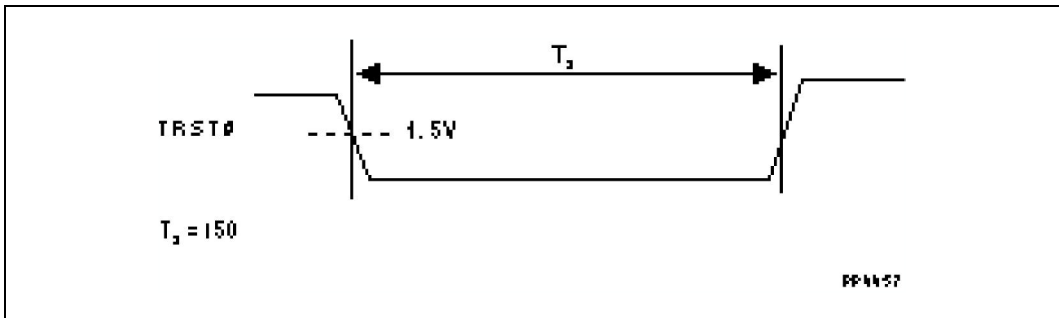


Figure 9. Test Reset Timings

4.4. I/O Buffer Models

This section describes the I/O buffer models of the Pentium processor (610\75).

The first order I/O buffer model is a simplified representation of the complex input and output buffers used in the Pentium processor (610\75). Figures 10 and 11 show the structure of the input buffer model and Figure 12 shows the output buffer model. Tables 13 and 14 show the parameters used to specify these models.

Although simplified, these buffer models will accurately model flight time and signal quality. For these parameters, there is very little added accuracy in a complete transistor model.

The following two models represent the input buffer models. The first model, Figure 10, represents all of the input buffers of the Pentium processor (610\75) except for a special group of input buffers. The second model, Figure 11, represents these special buffers. These buffers are the inputs: AHOLD, EADS#, KEN#, WB/WT#, INV, NA#, EWBE#, BOFF#, CLK, and PICCLK.

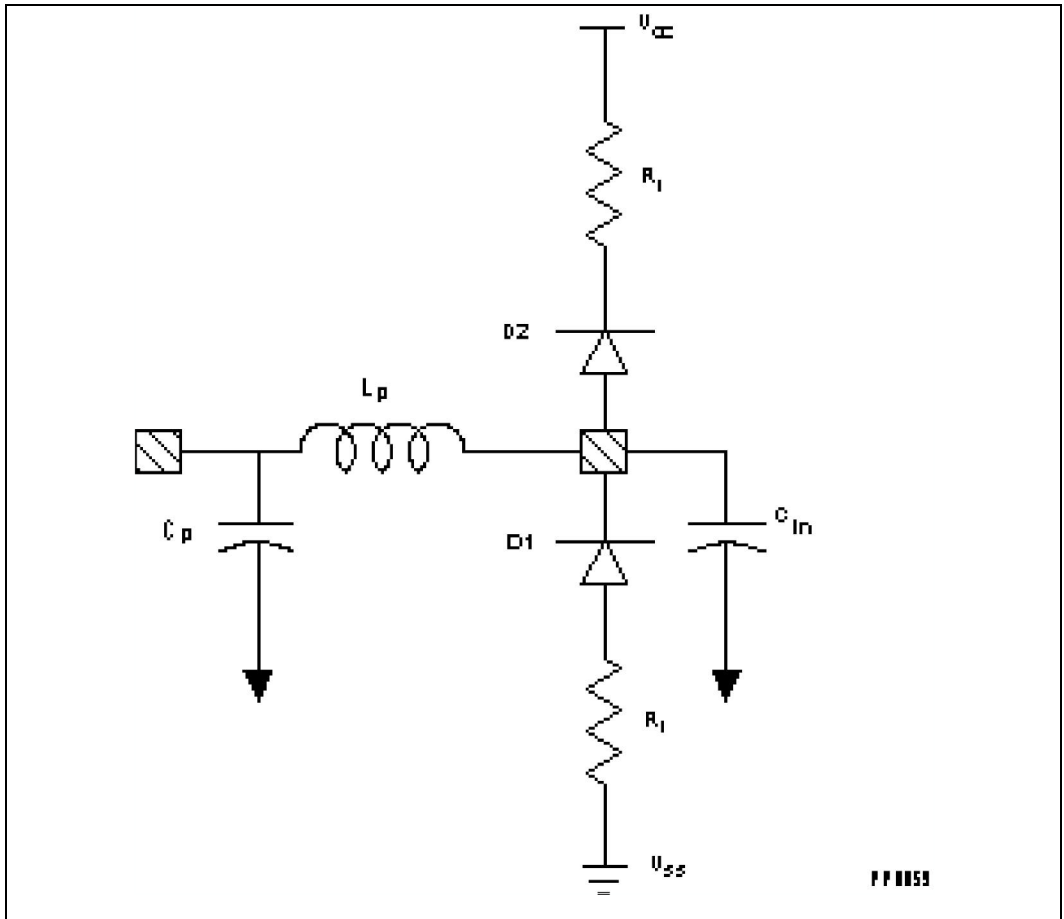


Figure 10. Input Buffer Model, Except Special Group

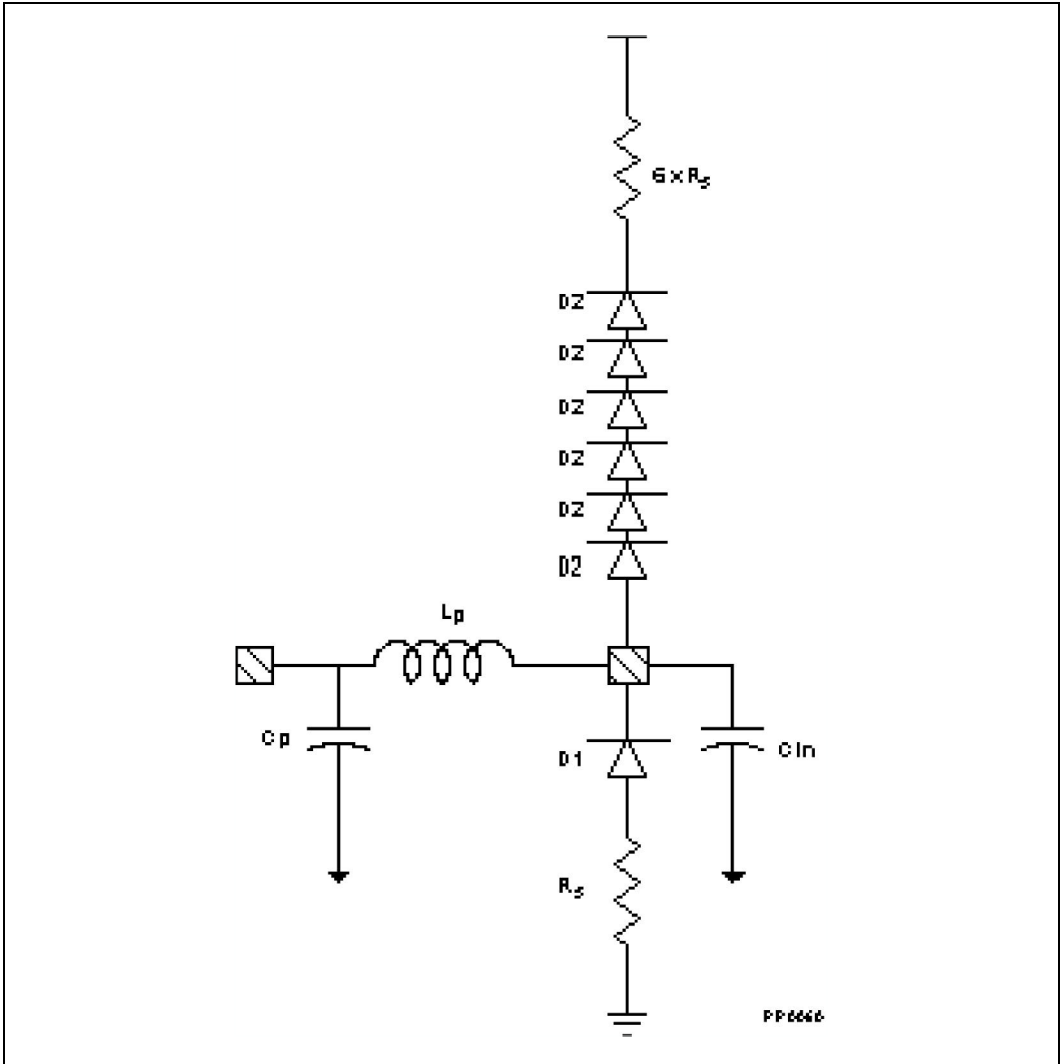


Figure 11. Input Buffer Model for Special Group

Table 13. Parameters Used in the Specification of the First Order Input Buffer Model

Parameter	Description
Cin	Minimum and Maximum value of the capacitance of the input buffer model.
Lp	Minimum and Maximum value of the package inductance.
Cp	Minimum and Maximum value of the package capacitance.
Rs	Diode Series Resistance
D1, D2	Ideal Diodes

Figure 12 shows the structure of the output buffer model. This model is used for all of the output buffers of the Pentium processor (610\75).

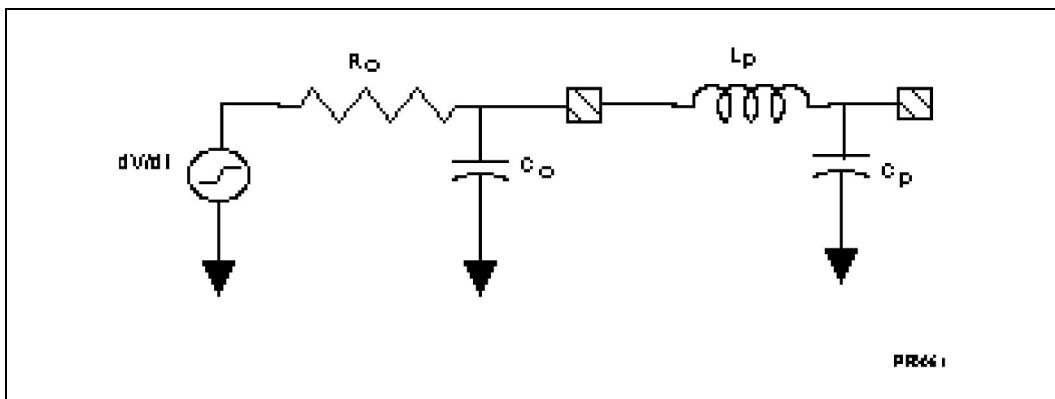


Figure 12. First Order Output Buffer Model

Table 14. Parameters Used in the Specification of the First Order Output Buffer Model

Parameter	Description
dV/dt	Minimum and maximum value of the rate of change of the open circuit voltage source used in the output buffer model.
Ro	Minimum and maximum value of the output impedance of the output buffer model.
Co	Minimum and Maximum value of the capacitance of the output buffer model.
Lp	Minimum and Maximum value of the package inductance.
Cp	Minimum and Maximum value of the package capacitance.

In addition to the input and output buffer parameters, input protection diode models are provided for added accuracy. These diodes have been optimized to provide ESD protection and provide some level of clamping. Although the diodes are not required for simulation, it may be more difficult to meet specifications without them.

Note, however, some signal quality specifications require that the diodes be removed from the input model. The series resistors (Rs) are a part of the diode model. Remove these when removing the diodes from the input model.

4.4.1. BUFFER MODEL PARAMETERS

This section gives the parameters for each Pentium processor (610\75) input, output, and bidirectional signal, as well as the settings for the configurable buffers.

Some pins on the Pentium processor (610\75) have selectable buffer sizes. These pins use the

configurable output buffer EB2. Table 15 shows the drive level for BRDY# required at the falling edge of RESET to select the buffer strength. The buffer sizes selected should be the appropriate size required; otherwise AC timings might not be met, or too much overshoot and ringback may occur. There are no other selection choices; all of the configurable buffers get set to the same size at the same time.

Table 15. Buffer Selection Chart

Environment	BRDY#	Buffer Selection
Typical Stand Alone Component	1	EB2
Loaded Component	0	EB2A

NOTES:

For correct buffer selection, the BUSCHK# signal must be held inactive (high) at the falling edge of RESET.

For the Pentium processor (610\75) SPGA version, BRDYC# is used to configure selectable buffer sizes.

Please refer to Table 16 for the groupings of the buffers.

Table 16. Signal to Buffer Type

Signals	Type	Driver Buffer Type	Receiver Buffer Type
CLK	I		ER0
A20M#, AHOLD, BF, BOFF#, BRDY#, BUSCHK#, EADS#, EWBE#, FLUSH#, HOLD, IGNNE#, INIT, INTR, INV, KEN#, NA#, NMI, PEN#, PICCLK, R/S#, RESET, SMI#, STPCLK#, TCK, TDI, TMS, TRST#, WB/WT#	I		ER1
APCHK#, BE[7:5]#, BP[3:2], BREQ, FERR#, IERR#, PCD, PCHK#, PM0/BP0, PM1/BP1, PRDY, PWT, SMIACT#, TDO, U/O#	O	ED1	
A[31:21], AP, BE[4:0]#, CACHE#, D/C#, D[63:0], DP[8:0], HLDA, LOCK#, M/IO#, SCYC	I/O	EB1	EB1
A[20:3], ADS#, HITM#, W/R#	I/O	EB2A	EB2
HIT#	I/O	EB3	EB3
PID0, PICD1	I/O	EB4	EB4

The input, output and bidirectional buffer values are listed in Table 17. This table contains listings for all three types, do not get them confused during simulation. When a bidirectional pin is operating as

an input, just use the Cin, Cp and Lp values; if it is operating as a driver, use all of the data parameters.

Table 17. Input, Output and Bidirectional Buffer Model Parameters

Buffer Type	Transition	dV/dt (V/nsec)		Ro (Ohms)		Cp (pF)		Lp (nH)		Co/Cin (pF)	
		min	max	min	max	min	max	min	max	min	max
ER0 (input)	Rising					0.3	0.4	3.9	5.0	0.8	1.2
	Falling					0.3	0.4	3.9	5.0	0.8	1.2
ER1 (input)	Rising					0.2	0.5	3.1	6.0	0.8	1.2
	Falling					0.2	0.5	3.1	6.0	0.8	1.2
ED1 (output)	Rising	3/3.0	3.7/0.9	21.6	53.1	0.3	0.6	3.7	6.6	2.0	2.6
	Falling	3/2.8	3.7/0.8	17.5	50.7	0.3	0.6	3.7	6.6	2.0	2.6
EB1 (bidir)	Rising	3/3.0	3.7/0.9	21.6	53.1	0.2	0.5	2.9	6.1	2.0	2.6
	Falling	3/2.8	3.7/0.8	17.5	50.7	0.2	0.5	2.9	6.1	2.0	2.6
EB2 (bidir)	Rising	3/3.0	3.7/0.9	21.6	53.1	0.2	0.5	3.1	6.4	9.1	9.7
	Falling	3/2.8	3.7/0.8	17.5	50.7	0.2	0.5	3.1	6.4	9.1	9.7
EB2A (bidir)	Rising	3/2.4	3.7/0.9	10.1	22.4	0.2	0.5	3.1	6.4	9.1	9.7
	Falling	3/2.4	3.7/0.9	9.0	21.2	0.2	0.5	3.1	6.4	9.1	9.7
EB3 (bidir)	Rising	3/3.0	3.7/0.9	21.6	53.1	0.2	0.4	3.2	4.1	3.3	3.9
	Falling	3/2.8	3.7/0.8	17.5	50.7	0.2	0.4	3.2	4.1	3.3	3.9
EB4 (bidir)	Rising	3/3.0	3.7/0.9	21.6	53.1	0.3	0.4	4.0	4.1	5.0	7.0
	Falling	3/2.8	3.7/0.8	17.5	50.7	0.3	0.4	4.0	4.1	5.0	7.0

Table 18. Input Buffer Model Parameters: D (Diodes)

Symbol	Parameter	D1	D2
IS	Saturation Current	1.4e-14A	2.78e-16A
N	Emission Coefficient	1.19	1.00
RS	Series Resistance	6.5 ohms	6.5 ohms
TT	Transit Time	3 ns	6 ns
VJ	PN Potential	0.983V	0.967V
CJ0	Zero Bias PN Capacitance	0.281 pF	0.365 pF
M	PN Grading Coefficient	0.385	0.376

4.4.2. SIGNAL QUALITY SPECIFICATIONS

Signals driven by the system into the Pentium processor (610\75) must meet signal quality specifications to guarantee that the components

read data properly and to ensure that incoming signals do not affect the reliability of the component. There are two signal quality parameters: Ringback and Settling Time.

4.4.2.1. Ringback

Excessive ringback can contribute to long-term reliability degradation of the Pentium processor (610V75), and can cause false signal detection. Ringback is simulated at the input pin of a component using the input buffer model. Ringback can be simulated with or without the diodes that are in the input buffer model.

Ringback is the absolute value of the maximum voltage at the receiving pin below V_{CC} (or above V_{SS}) relative to V_{CC} (or V_{SS}) level after the signal has reached its maximum voltage level. The input diodes are assumed present.

Maximum Ringback on Inputs = 0.8V (with diodes)

If simulated without the input diodes, follow the Maximum Overshoot/Undershoot specification. By

meeting the overshoot/undershoot specification, the signal is guaranteed not to ringback excessively.

If simulated with the diodes present in the input model, follow the maximum ringback specification.

Overshoot (Undershoot) is the absolute value of the maximum voltage above V_{CC} (below V_{SS}). The guideline assumes the absence of diodes on the input.

- Maximum Overshoot/Undershoot on 5V 82497 Cache Controller, and 82492 Cache SRAM Inputs (CLK and PICCLK only) = 1.6V above V_{CC5} (without diodes)
- Maximum Overshoot/Undershoot on 3.3V Pentium processor (610V75) Inputs (not CLK and PICCLK) = 1.4V above V_{CC3} (without diodes)

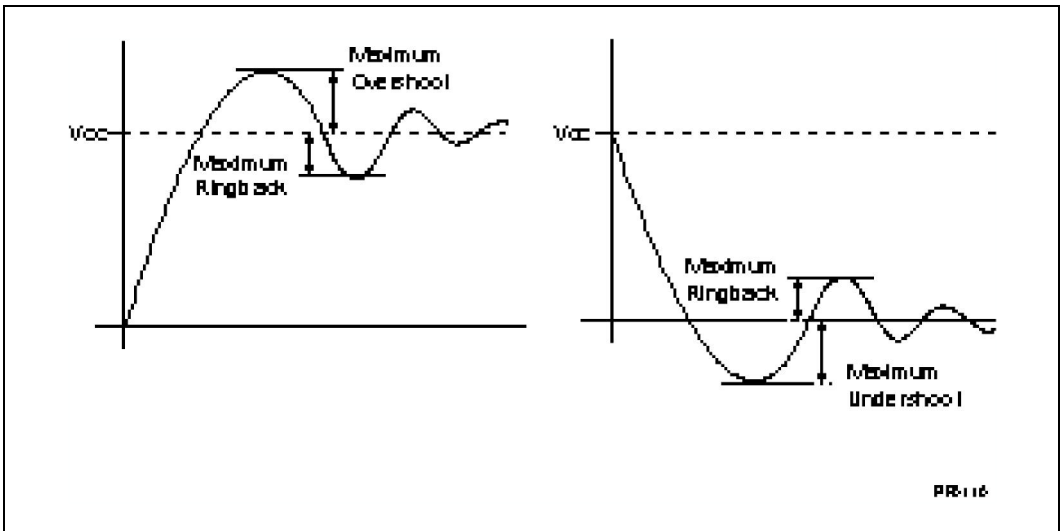


Figure 13. Overshoot/Undershoot and Ringback Guidelines

4.4.2.2. Settling Time

The settling time is defined as the time a signal requires at the receiver to settle within 10 percent of V_{CC} or V_{SS} . Settling time is the maximum time allowed for a signal to reach within 10 percent of its final value.

Most available simulation tools are unable to simulate settling time so that it accurately reflects silicon measurements. On a physical board,

second-order effects and other effects serve to dampen the signal at the receiver. Because of all these concerns, settling time is a recommendation or a tool for layout tuning and not a specification.

Settling time is simulated at the slow corner, to make sure that there is no impact on the flight times of the signals if the waveform has not settled. Settling time

may be simulated with the diodes included or excluded from the input buffer model. If diodes are included, settling time recommendation will be easier to meet.

Although simulated settling time has not shown good correlation with physical, measured settling time, settling time simulations can still be used as a tool to tune layouts.

Use the following procedure to verify board simulation and tuning with concerns for settling time.

1. Simulate settling time at the slow corner for a particular signal.
2. If settling time violations occur, simulate signal trace with D.C. diodes in place at the receiver pin. The D.C. diode behaves almost identically to the actual (non-linear) diode on the part as long as excessive overshoot does not occur.
3. If settling time violations still occur, simulate flight times for 5 consecutive cycles for that particular signal.

4. If flight time values are consistent over the 5 simulations, settling time should not be a concern. If however, flight times are not consistent over the 5 simulations, tuning of the layout is required.

5. Note that, for signals that are allocated 2 cycles for flight time, the recommended settling time is doubled.

A typical design method would include a settling time that ensures a signal is within 10% of V_{CC} or V_{SS} for at least 2.5 ns prior to the end of the CLK period.

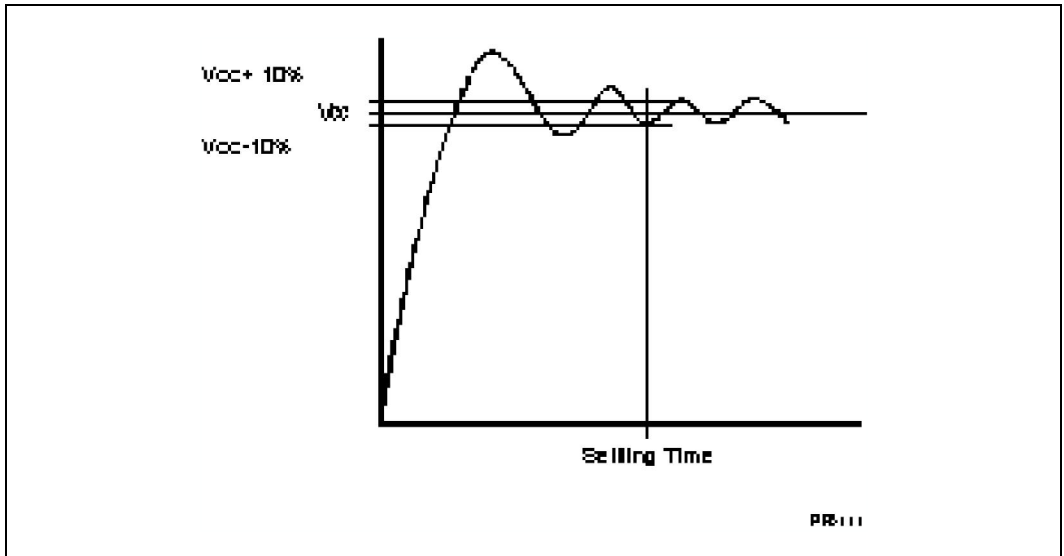


Figure 14. Settling Time

5.0. Pentium® Processor (610\75) TCP MECHANICAL SPECIFICATIONS

Today's portable computers face the challenge of meeting desktop performance in an environment that is constrained by thermal, mechanical, and electrical design considerations. These considerations have driven the development and implementation of Intel's Tape Carrier Package (TCP). The Intel TCP package has been designed to offer a high pin count, low profile, reduced footprint package with uncompromised thermal and electrical performance. Intel continues to provide packaging solutions that meet our rigorous criteria for quality and performance, and this new entry into the Intel package portfolio is no exception.

Key features of the TCP package include: surface mount technology design, lead pitch of 0.25 mm, polyimide body size of 24 mm and polyimide up for

pick&place handling. TCP components are shipped with the leads flat in slide carriers, and are designed to be excised and lead formed at the customer manufacturing site. Recommendations for the manufacture of this package are included in the Pentium® Processor (610\75) *Tape Carrier Package User's Guide*.

Figure 15 shows a cross-sectional view of the TCP package as mounted on the Printed Circuit Board. Figures 16 and 17 show the TCP as shipped in its slide carrier, and key dimensions of the carrier and package. Figure 18 shows a blow up detail of the package in cross-section. Figure 19 shows an enlarged view of the outer lead bond area of the package.

Tables 19 and 20 provide Pentium processor (610\75) TCP package dimensions.

5.1. TCP Package Mechanical Diagrams

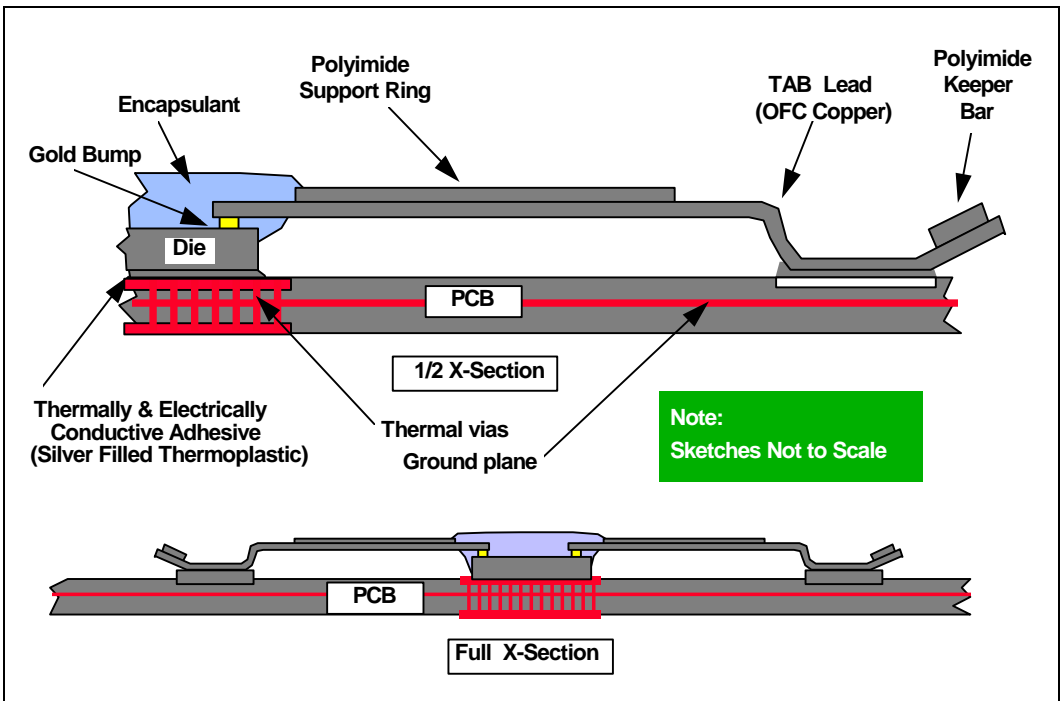


Figure 15. Cross-Sectional View of the Mounted TCP Package

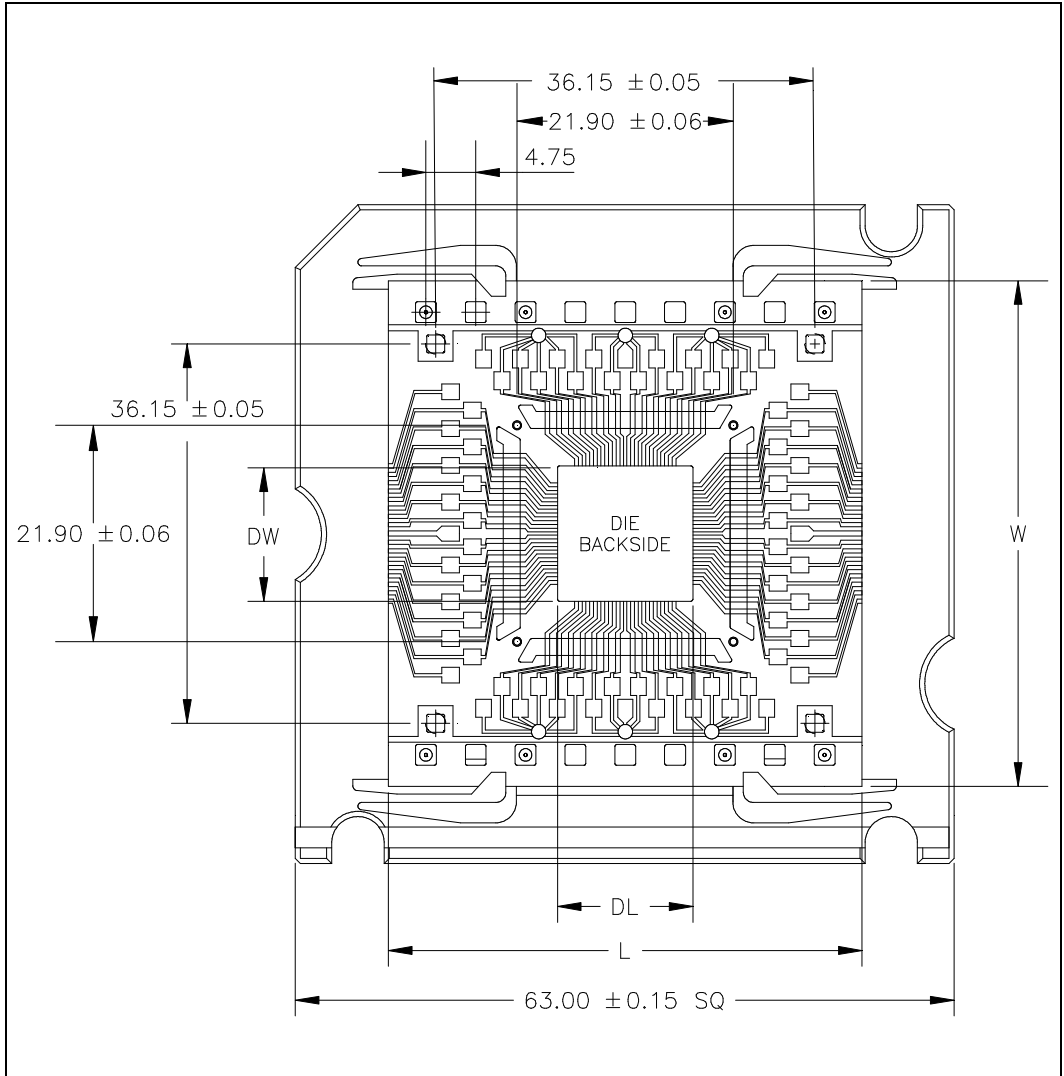


Figure 16. One TCP Site in Carrier (Bottom View of Die)

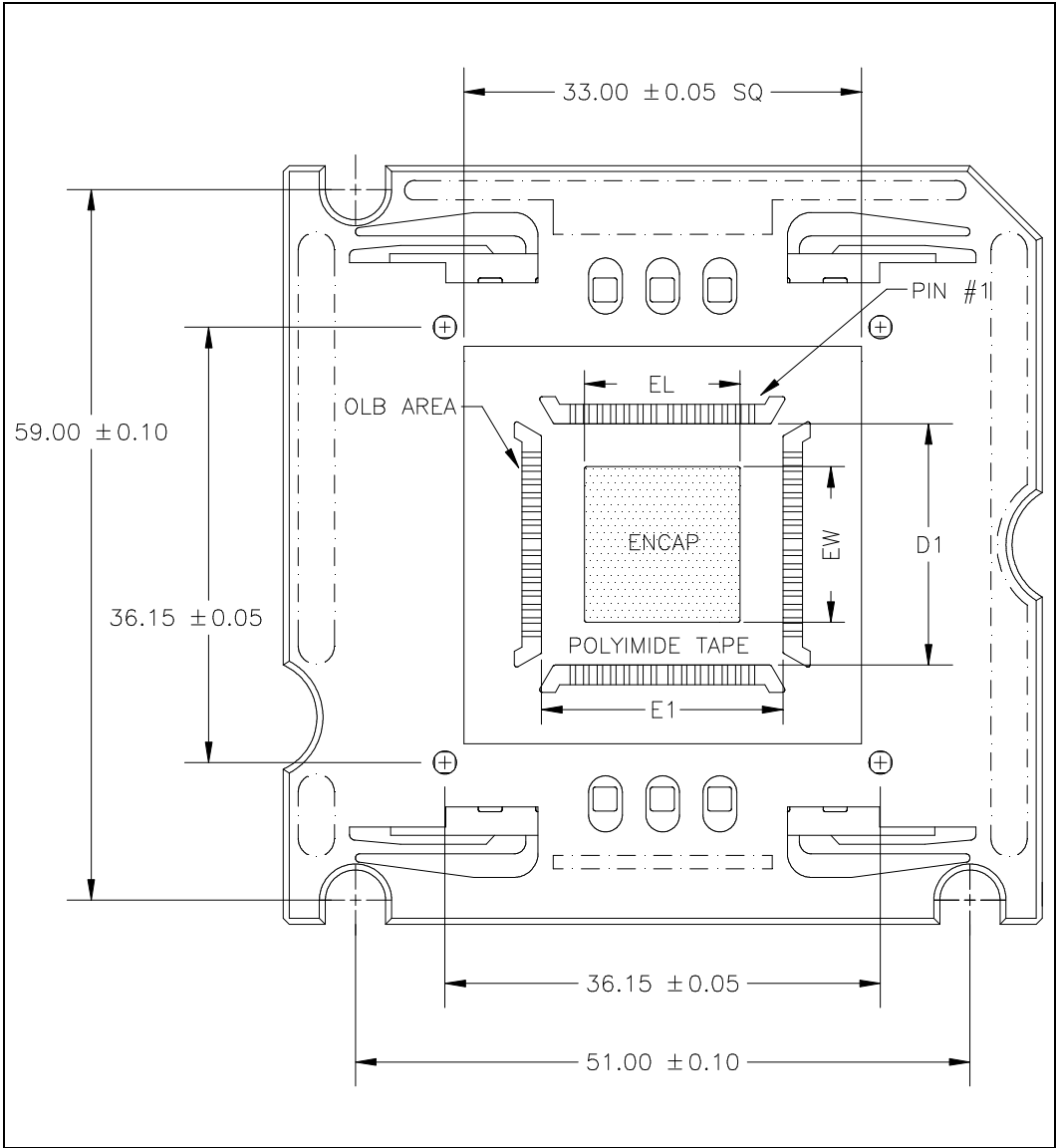


Figure 17. One TCP Site in Carrier (Top View of Die)

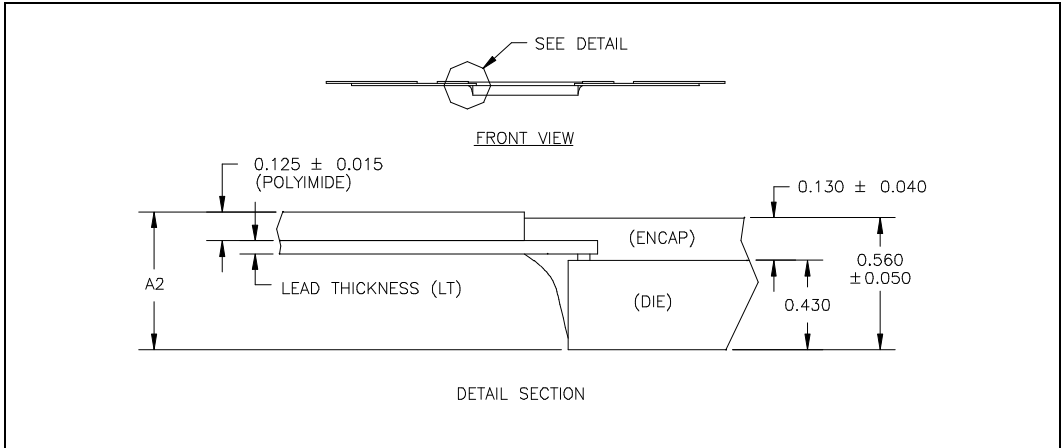


Figure 18. One TCP Site (Cross-Sectional Detail)

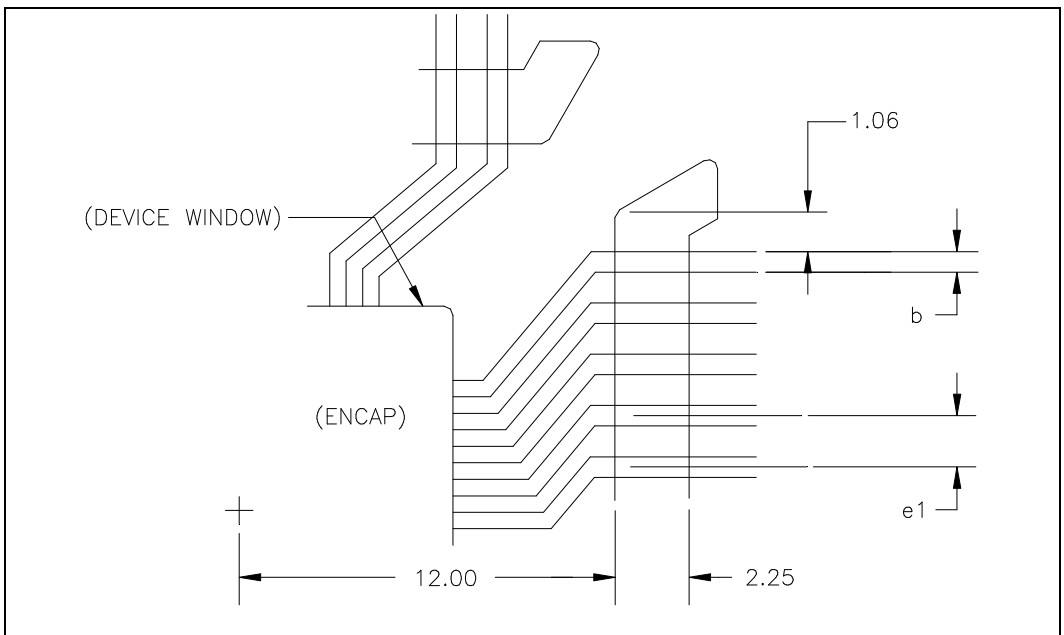


Figure 19. Outer Lead Bond (OLB) Window Detail

Table 19. TCP Key Dimensions

Symbol	Description	Dimension
N	Leadcount	320 leads
W	Tape Width	48.18 ±0.12
L	Site Length	(43.94) reference only
e1	Outer Lead Pitch	0.25 nominal
b	Outer Lead Width	0.10 ±0.01
D1,E1	Package Body Size	24.0 ±0.1
A2	Package Height	75 MHz/90 MHz--0.615 ±0.030 120 MHz--0.605 ±0.030
DL	Die Length	75 MHz/90 MHz--12.769 ±0.015 120 MHz--9.929 ±0.015
DW	Die Width	75 MHz/90 MHz--11.755 ±0.015 120 MHz--9.152 ±0.015
LT	Lead Thickness	75 MHz/90 MHz--0.035 mm 120 MHz--0.025 mm
EL	Encap Length	75 MHz/90 MHz--(13.40 mm) reference only 120 MHz--(10.56 mm) reference only
EW	Encap Width	75 MHz/90 MHz--(12.39 mm) reference only 120 MHz--(9.78 mm) reference only

NOTES:

Dimensions are in millimeters unless otherwise noted.

Dimensions in parentheses are for reference only.

Table 20. Mounted TCP Package Dimensions

Description	Dimension
Package Height	0.75 max.
Terminal Dimension	29.5 nom.
Package Weight	0.5 g max.

NOTE:

Dimensions are in millimeters unless otherwise noted.

Package terminal dimension (lead tip-to-lead tip) assumes the use of a keeper bar.

6.0. Pentium® Processor (610\75) TCP THERMAL SPECIFICATIONS

The Pentium processor (610\75) is specified for proper operation when the case temperature, T_{CASE} : (T_C) is within the specified range of 0 °C to 95 °C.

6.1. Measuring Thermal Values

To verify that the proper T_C (case temperature) is maintained for the Pentium processor (610\75), it should be measured at the center of the package top surface (encapsulant). To minimize any measurement errors, the following techniques are recommended:

- Use 36 gauge or finer diameter K, T, or J type thermocouples. Intel's laboratory testing was done using a thermocouple made by Omega (part number: 5TC-TTK-36-36).
- Attach the thermocouple bead or junction to the center of the package top surface using highly thermally conductive cements. Intel's laboratory testing was done by using Omega Bond (part number: OB-100).
- The thermocouple should be attached at a 90° angle as shown in Figure 20.

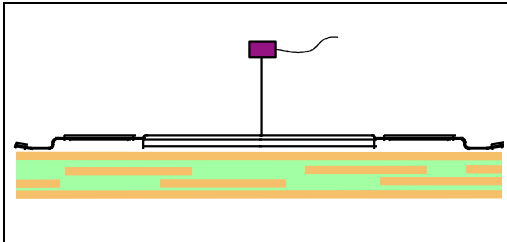


Figure 20. Technique for Measuring Case Temperature (T_C)

6.2. Thermal Equations

For the Pentium processor (610\75), an ambient temperature (T_A) is not specified directly. The only requirement is that the case temperature (T_C) is met. The ambient temperature can be calculated from the following equations:

$$T_J = T_C + P \times q_{JC}$$

$$T_A = T_J - P \times q_{JA}$$

$$T_A = T_C - (P \times q_{CA})$$

$$T_C = T_A + P \times [q_{JA} - q_{JC}]$$

$$q_{CA} = q_{JA} - q_{JC}$$

where,

T_A and T_C are ambient and case temperatures (°C)

θ_{CA} = Case-to-Ambient thermal resistance (°C/W)

θ_{JA} = Junction-to-Ambient thermal resistance (°C/W)

θ_{JC} = Junction-to-Case thermal resistance (°C/W)

P = maximum power consumption (Watts)

P (maximum power consumption) is specified in section 4.2.

6.3. TCP Thermal Characteristics

The primary heat transfer path from the die of the Tape Carrier Package (TCP) is through the back side of the die and into the PC board. There are two thermal paths traveling from the PC board to the ambient air. One is the spread of heat within the board and the dissipation of heat by the board to the ambient air. The other is the transfer of heat through the board and to the opposite side where thermal enhancements (e.g., heat sinks, pipes) are attached. To prevent the possibility of damaging the TCP component, the thermal enhancements should be attached to the opposite side of the TCP site — not directly mounted to the package surface.

6.4. PC Board Enhancements

Copper planes, thermal pads, and vias are design options that can be used to improve heat transfer from the PC board to the ambient air. Tables 21 and 22 present thermal resistance data for copper plane thickness and via effects. It should be noted that although thicker copper planes will reduce the θ_{ca} of a system without any thermal enhancements, they have less effect on the θ_{ca} of a system with thermal enhancements. However, placing vias under the die will reduce the θ_{ca} of a system with and without thermal enhancements.

Table 21. Thermal Resistance vs. Copper Plane Thickness with and without Enhancements

Copper Plane Thickness*	θ_{CA} (°C/W) No Enhancements	θ_{CA} (°C/W) With Heat Pipe
1 oz. Cu	18	8
3 oz. Cu	14	8

NOTES:

*225 vias underneath the die
(1 oz = 1.3 ml)

Table 22. Thermal Resistance vs. Thermal Vias underneath the Die

No. of Vias Under the Die*	θ_{CA} (°C/W) No Enhancements
0	15
144	13

NOTE:

*3 oz. copper planes in test boards

6.4.1. STANDARD TEST BOARD CONFIGURATION

All Tape Carrier Package (TCP) thermal measurements provided in the following tables were taken with the component soldered to a 2" x 2" test board outline. This six-layer board contains 225 vias (underneath the die) in the die attach pad which are connected to two 3 oz. copper planes located at layers two and five. For the Pentium processor (610\75) TCP, the vias in the die attach pad should be connected without thermal reliefs to the ground plane(s). The die is attached to the die attach pad using a thermally and electrically conductive adhesive. This test board was designed to optimize the heat spreading into the board and the heat transfer through to the opposite side of the board.

NOTE

Thermal resistance values should be used as guidelines only, and are highly system dependent. Final system verification should always refer to the case temperature specification.

Table 23. Pentium® Processor (610\75) TCP Package Thermal Resistance without Enhancements

	θ_{JC} (°C/W)	θ_{CA} (°C/W)
Thermal Resistance without Enhancements	.8	13.9

Table 24. Pentium® Processor (610\75) TCP Package Thermal Resistance with Enhancements (without Airflow)

Thermal Enhancements	θ_{CA} (°C/W)	Notes
Heat sink	11.7	1.2"×1.2"×.35"
Al Plate	8.7	4"×4"×.030"
Al Plate with Heat Pipe	7.8	.3×1"×4"

Table 25. Pentium® Processor (610\75) TCP Package Thermal Resistance with Enhancements (with Airflow)

Thermal Enhancements	θ_{CA} (°C/W)	Notes
Heat sink with Fan @ 1.7 CFM	5.0	1.2"×1.2"×.35" HS 1"×1"×.4" Fan
Heat sink with Airflow @ 400 LFM	5.1	1.2"×1.2"×.35" HS
Heat sink with Airflow @ 600 LFM	4.3	1.2"×1.2"×.35" HS

HS = heat sink

LFM = Linear Feet/Minute

CFM = Cubic Feet/Minute