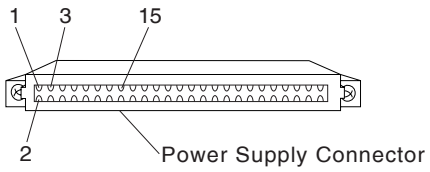
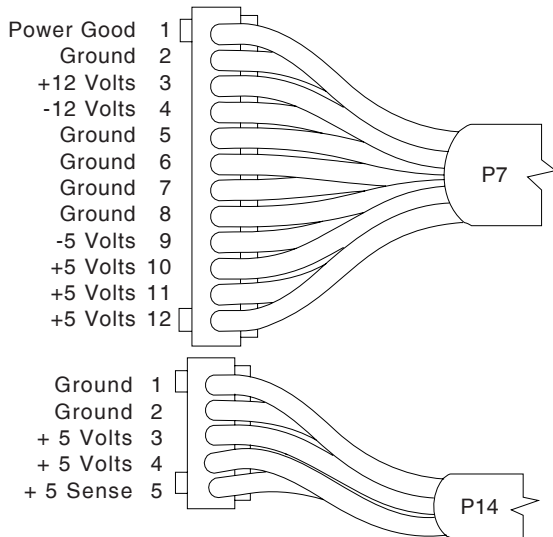


Models 50, 70



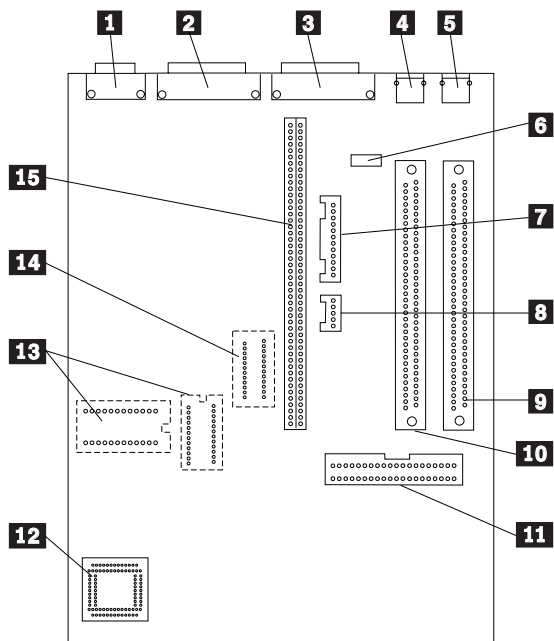
-Lead Pin	+Lead Pin	V dc Minimum	V dc Maximum
2	1	- 9.0	-15.0
2	3	+15.0	+15.0
2	15	+ 6.2	+ 6.2

Model 55, PS/2 9553-xBx



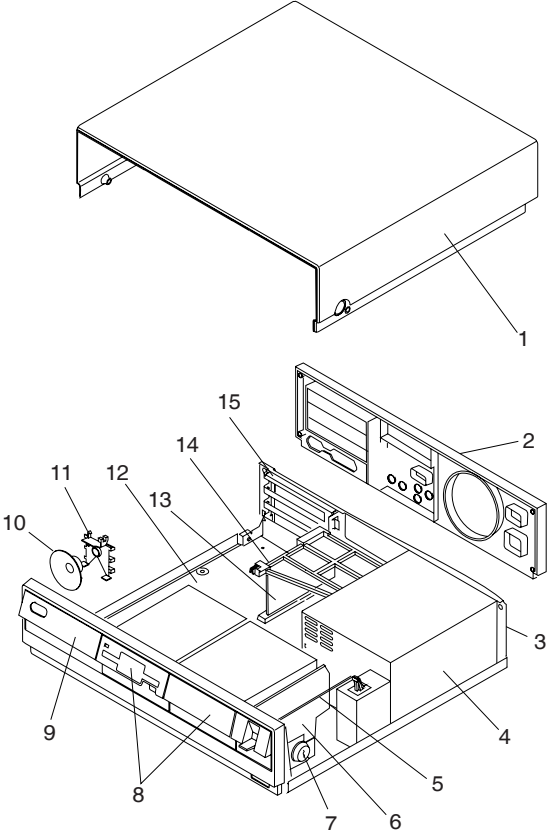
Model 55 System Board

- 1 Display connector
- 2 Serial port
- 3 Parallel port
- 4 Pointing-device connector
- 5 Keyboard connector
- 6 Fuse
- 7 Power-supply connector (P7)
- 8 Power-supply connector (P14)
- 9 Memory-module connector 1
- 1 Memory-module connector 2
- 11 Diskette-drive connector
- 12 80387SX Math coprocessor connector
- 13 Real-time clock-module connector
- 14 2KB CMOS RAM extension connector¹
- 15 Bus-adaptor connector



¹ May not be present on all system boards.

Model 55 (8555) SX Parts



Index	System Unit (55 SX)	
1	Top Cover	27F4172
2	Rear Cover	27F4670
3	Base Frame Assembly (R)	27F4167
4	Power Supply/Fan Assembly	27F4166
5	Power Switch Link	27F4168
6	Drive Cradle	27F4170
7	Keylock Assembly	27F4169
8	(see DASD)	
9	Front Cover with Logo (R) (55 SX)	27F4677
9	Front Cover with Logo (R) (55 LS)	33F8230
10	Speaker	27F4672
11	Speaker/Adapter Guide (no speaker)	27F4673
12	System Board (55 SX)	27F4667
12	System Board (55 LS, LTO, LE0)	57F3003
	Fuse, 3 Amp (System Board)	72X8561
	Real-Time Clock Module	8509237
	2KB NV-RAM Module	64F0722
	1MB Memory Module Kit	90X8624
	2MB Memory Module Kit	92F0104
	4MB Memory Module Kit	92F3337
	80387SX Math Coprocessor, 16 MHz	33F8160
	486SLC System Board Upgrade	71G2602
	2MB Memory Module Kit (for 61G3502)	92F0102
	4MB Memory Module Kit (for 61G3502)	92F0105
	8MB Memory Module Kit (for 61G3502)	64F3606
13	Bus Adapter (55 LS)	64F3732
13	Bus Adapter (55 SX)	27F4666
14	Bus Adapter Support	27F4674
15	Adapter Support Panel	27F4671
	Adapter Bracket	27F4674
	Drive Grounding Bracket	33F8156
	Miscellaneous Parts Kit (see page 301)	27F4171
	Shipping Carton	83X9431

<i>Index</i>	<i>DASD (55 SX)</i>	
	1.44MB Diskette Drive (1/3 Ht.)	64F0162
	Diskette Drive Slide (for 64F0162)	64F0156
8	Diskette Drive Bezel	27F4230
8	Blank Bezel	72X7534
	Drive A Cable	27F4912
	Drive B Cable	34F0000
	30MB Hard Disk Drive (DBA)	64F4146
	40MB Hard Disk Drive (DBA)	56F8896
	60MB Hard Disk Drive (DBA)	85F0049
	80MB Hard Disk Drive (DBA)	56F8892
	160MB Hard Disk Drive (DBA)	56F8893
8	Hard Disk Drive Bezel (30MB, 40MB)	27F4177
8	Hard Disk Drive Bezel (60MB, 80MB, 160MB)	27F4675
	Hard Disk Drive Cable	27F4669
	80MB Hard Disk Drive (ATA/IDE)	54G0160
	170MB Hard Disk Drive (ATA/IDE)	71G4958
	170MB Hard Disk Drive (ATA/IDE)	95F4728
	245MB Hard Disk Drive (ATA/IDE)	61G3754
	245MB Hard Disk Drive (ATA/IDE)	92F0403
	340MB Hard Disk Drive (ATA/IDE)	92F0404
	420MB Hard Disk Drive (ATA/IDE)	71G4930
	Hard Disk Drive Ribbon Cable (for 95F4728, 92F0403, 92F0404)	71G2662
	Hard Disk Drive Power Cable (for 95F4728, 92F0403, 92F0404)	71G2684
	Original Hard Disk Drive Cable	27F4669