
Section 6. System Memory Options

CONTENTS

About This Section	6-3
RT PC 1MB Memory Expansion Option	6-008-1
Specifications	6-008-1
Removal Procedure	6-008-1
Replacement Procedure	6-008-1
Parts Information	6-008-2
RT PC 2MB Memory Expansion Option	6-010-1
Specifications	6-010-1
Removal Procedure	6-010-1
Replacement Procedure	6-010-1
Parts Information	6-010-2
RT PC 4MB Memory Expansion Option	6-012-1
Specifications	6-012-1
Removal Procedure	6-012-1
Replacement Procedure	6-012-1
Parts Information	6-012-2
RT PC 4MB Fast Memory Expansion Option	6-013-1
Specifications	6-013-1
Removal Procedure	6-013-1
Replacement Procedure	6-013-1
Jumper Settings	6-013-2
Parts Information	6-013-3
RT PC 8MB Fast Memory Expansion Option	6-016-1
Specifications	6-016-1
Removal Procedure	6-016-1
Replacement Procedure	6-016-1
Jumper Settings	6-016-2
Parts Information	6-016-3

About This Section

This section contains the service information for the system memory options. These memory boards are directly addressed by the processor board.

See Section 9, Adapters for memory options that install in adapter slots 2 through 7 and attach to the I/O channel.

Pages in this section contain a 3-digit product code in the page number to make future updating easier.

RT PC 1MB Memory Expansion Option

The RT PC 1MB Memory Expansion Option provides direct-addressable memory for the 32-bit processor. The RT PC 1MB Memory Expansion Option is used only with the RT PC Processor Board.

Specifications

Slot positions	C, D
Bytes of memory	1.0M bytes
Memory type	ECC

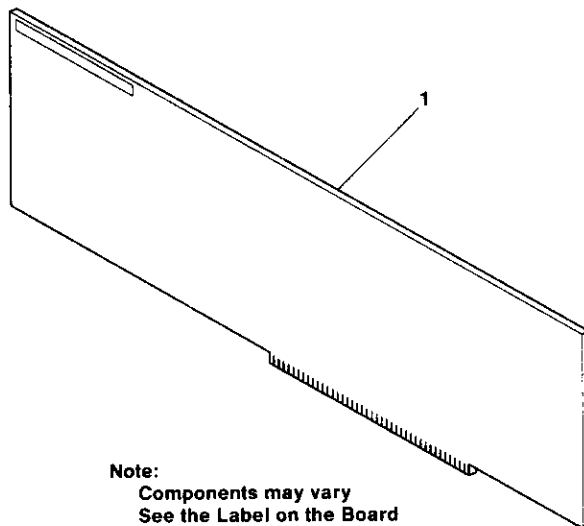
Removal Procedure

Use the Processor, Floating-Point, or System Memory Removal Procedure in Section 4.

Replacement Procedure

Use the Processor, Floating-Point, or System Memory Replacement Procedure in Section 4.

Parts Information



Note:
Components may vary
See the Label on the Board

AJZB099

Index Number	Part Number	Description
1	6848223	RT PC 1MB Memory Expansion Option Note: Look for "1MB ECC MEMORY" printed on the option.

RT PC 2MB Memory Expansion Option

The RT PC 2MB Memory Expansion Option provides direct-addressable memory for the 32-bit processor. The RT PC 2MB Memory Expansion Option is used only with the RT PC Processor Board.

Specifications

Slot positions	C, D
Bytes of memory	2.0M bytes
Memory type	ECC

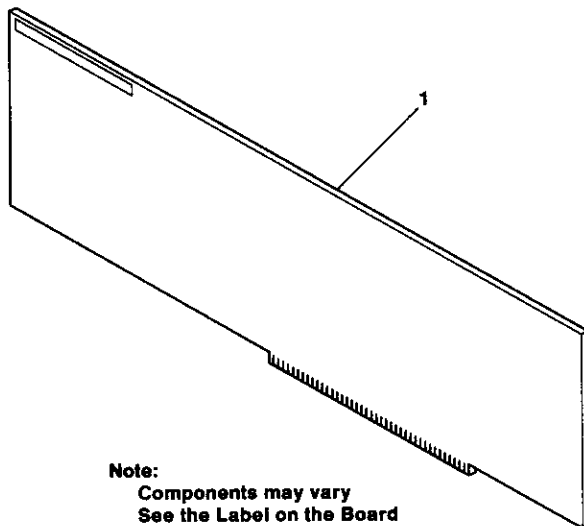
Removal Procedure

Use the Processor, Floating-Point, or System Memory Removal Procedure in Section 4.

Replacement Procedure

Use the Processor, Floating-Point, or System Memory Replacement Procedure in Section 4.

Parts Information



Note:
Components may vary
See the Label on the Board

AJZB099

Index Number	Part Number	Description
1	6299228	RT PC 2MB Memory Expansion Option Note: Look for "2MB ECC MEMORY" printed on the option.

RT PC 4MB Memory Expansion Option

The RT PC 4MB Memory Expansion Option provides direct-addressable memory for the 32-bit processor. The RT PC 4MB Memory Expansion Option is used only with the RT PC Processor Board.

Specifications

Slot positions	C, D
Bytes of memory	4.0M bytes
Memory type	ECC

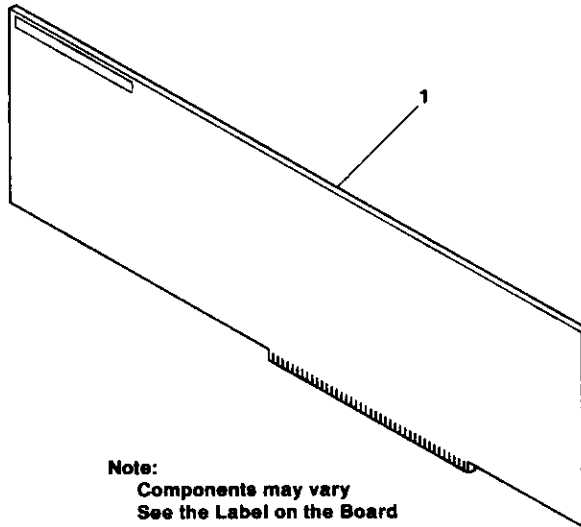
Removal Procedure

Use the Processor, Floating-Point, or System Memory Removal Procedure in Section 4.

Replacement Procedure

Use the Processor, Floating-Point, or System Memory Replacement Procedure in Section 4.

Parts Information



Note:
Components may vary
See the Label on the Board

AJZB099

Index Number	Part Number	Description
1	61X6157	RT PC 4MB Memory Expansion Option Note: Look for "4MB ECC MEMORY" printed on the option.

RT PC 4MB Fast Memory Expansion Option

The RT PC 4MB Fast Memory Expansion Option provides direct-addressable memory for the 32-bit processor. The RT PC 4MB Fast Memory Expansion Option is used only with the RT PC Advanced Processor Board.

Specifications

Slot positions	C, D
Bytes of memory	4.0M bytes
Memory type	ECC

Removal Procedure

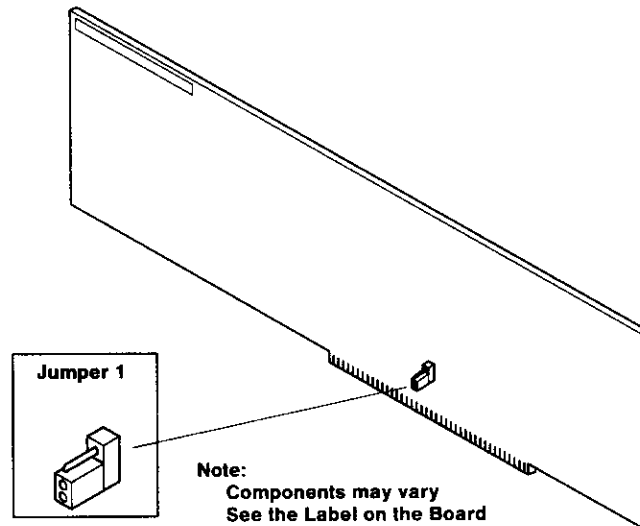
Use the Processor, Floating-Point, or System Memory Removal Procedure in Section 4.

Replacement Procedure

Use the Processor, Floating-Point, or System Memory Replacement Procedure in Section 4.

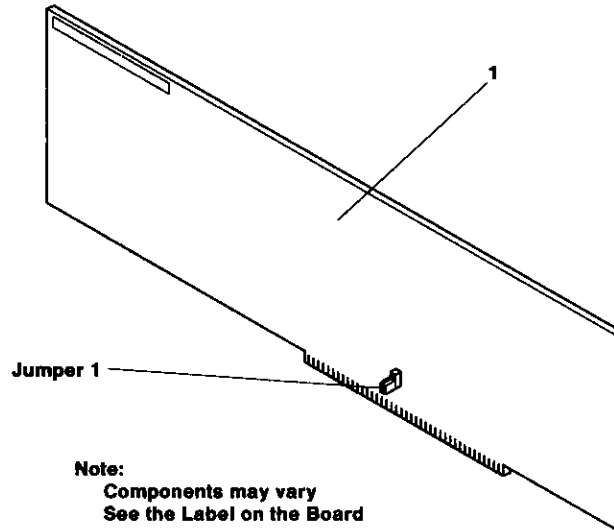
Jumper Settings

Set the jumper as shown below.



AJZB097

Parts Information



AJZB098

Index Number	Part Number	Description
1	61X7005	RT PC 4MB Fast Memory Expansion Option Note: Look for "4MB ENHANCED ECC MEMORY" printed on the option.

RT PC 8MB Fast Memory Expansion Option

The RT PC 8MB Fast Memory Expansion Option provides direct-addressable memory for the 32-bit processor. The RT PC 8MB Fast Memory Expansion Option is used only with the RT PC Advanced Processor Board.

Specifications

Slot position	C, D
Bytes of memory	8.0M bytes
Memory type	ECC

Removal Procedure

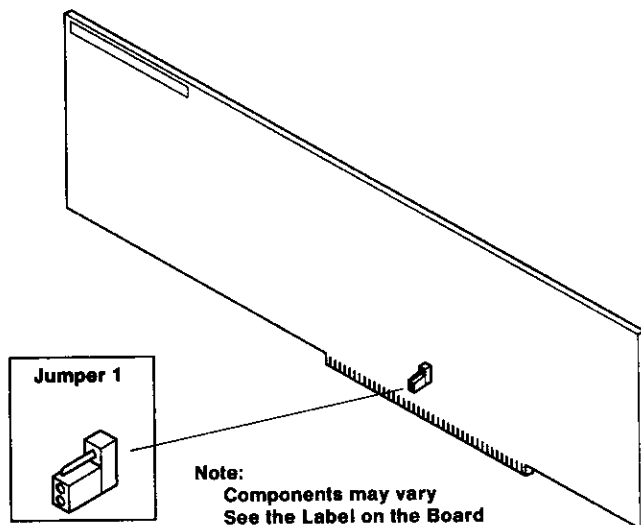
Use the Processor, Floating-Point, or System Memory Removal Procedure in Section 4.

Replacement Procedure

Use the Processor, Floating-Point, or System Memory Replacement Procedure in Section 4.

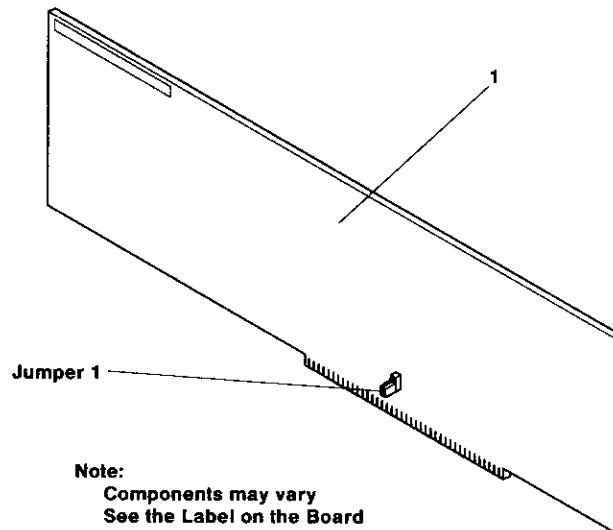
Jumper Settings

Set the jumper as shown below.



AJZB097

Parts Information



AJZB098

Index Number	Part Number	Description
1	61X7009	RT PC 8MB Fast Memory Expansion Option Note: Look for "8MB ENHANCED ECC MEMORY" printed on the option.

